



**DIECI**

## Equipment catalog

1-2022 Pricelist



DOCCT0000077-EN-06

[dieci.com](https://www.dieci.com)



# Table of Contents

<b>1</b>	<b>Symbols key.....</b>	<b>5</b>
<b>2</b>	<b>Tools.....</b>	<b>6</b>
2.1	Bucket.....	6
2.1.1	Bucket for light materials.....	6
2.1.2	Excavating bucket with teeth.....	10
2.1.3	Excavating bucket without teeth.....	13
2.1.4	Bucket for manure.....	16
2.2	Counterplates.....	18
2.2.1	Counterplate.....	18
2.2.2	Counterplate with FEM forks.....	20
2.2.3	Counterplate with floating forks.....	22
2.3	Forks.....	24
2.3.1	Floating forks.....	24
2.3.2	Fork with two prongs.....	27
2.3.3	Fork with three prongs.....	29
2.4	Special items.....	31
2.4.1	Material basket.....	31
<b>3</b>	<b>Equipment.....</b>	<b>33</b>
3.1	Bucket.....	33
3.1.1	4 in 1 bucket.....	33
3.1.2	Bucket for fodder with grab.....	36
3.1.3	Bucket for silage with grab.....	39
3.1.4	Bucket for manure and generic material with grab.....	42
3.1.5	Mixing bucket.....	45
3.1.6	Ladle.....	48
3.2	Forks.....	50
3.2.1	Multipurpose fork with holder.....	50
3.2.2	Fork for logs.....	52
3.3	Blades.....	54
3.3.1	Angledozer blade.....	54
3.3.2	Snow plough.....	56
3.3.3	Tiltadozer blade.....	58
3.4	Grippers.....	60
3.4.1	Clamp for big wrapped bales.....	60
3.4.2	Gripper for cylinders.....	62
3.4.3	Grab clamp for two roll bales.....	65
3.4.4	Gripper for tires.....	67
3.4.5	Orange-peel grabber.....	69
3.4.6	Centring handler.....	71
3.4.7	Gripper for pipe.....	73
3.5	Fork positioner.....	75
3.5.1	Fork spreader.....	75
3.5.2	Forks spreader shifter.....	77
3.5.3	Forks shifting unit.....	80
3.5.4	FEM forks shifting unit.....	82
3.6	Special items.....	84
3.6.1	Rotating counterplate with forks.....	84
3.6.2	Angled sweeper.....	86
3.6.3	Sweeper box with collection.....	88
3.6.4	Front shredder.....	90
3.6.5	Two-stage turbine snow blower.....	92

## Table of Contents

---

<b>4</b>	<b>Lifting equipment .....</b>	<b>94</b>
4.1	Winches .....	94
4.1.1	Winch for forks holding plate .....	94
4.1.2	Crane extension with winch.....	97
4.2	Hooks .....	100
4.2.1	Jib with hook.....	100
4.2.2	Hook for forks holding plate .....	103
4.2.3	Hook for wide forks holding plate .....	105
4.2.4	Crane extension with hook.....	107
<b>5</b>	<b>Baskets.....</b>	<b>110</b>
5.1	Front baskets .....	110
5.1.1	Front Basket .....	110
5.1.2	Extensible Front basket.....	113
5.2	Trilateral baskets.....	116
5.2.1	Trilateral Basket .....	116
5.2.2	Extensible Trilateral basket .....	119
5.2.3	Trilateral basket for tunnels.....	123
5.3	Positive / Negative jib.....	125
5.3.1	Positive / Negative jib.....	125
5.4	Baskets with lifting equipment.....	127
5.4.1	Extensible Trilateral basket with winch.....	127
5.5	Baskets for landing at high altitude .....	129
5.5.1	Extensible Trilateral basket with front opening.....	129
<b>6</b>	<b>Accessories .....</b>	<b>131</b>
6.1	Bucket.....	131
6.1.1	Blade protector and/or teeth cover .....	131
6.1.2	Level indicator .....	133
6.1.3	Full rear guard.....	135
6.1.4	Split rear guard.....	137
	<b>Detailed table of contents .....</b>	<b>139</b>

## Symbols key



**A** Width



**B** Height



**C** Length



Equipment weight



Equipment capacity



**A<sup>max</sup>** Maximum walking surface width



**A** Walking surface width



**C** Walking surface length



Number of persons transported



Extension type



Forks cross section, width



Forks cross section, height



Forks length from tip to heel



COG Center of gravity of the load



Rope pull type



SAE heap capacity



Capacity (level)



Load maximum density



Number of teeth



Load yield

## Tools

### Bucket

#### Bucket for light materials

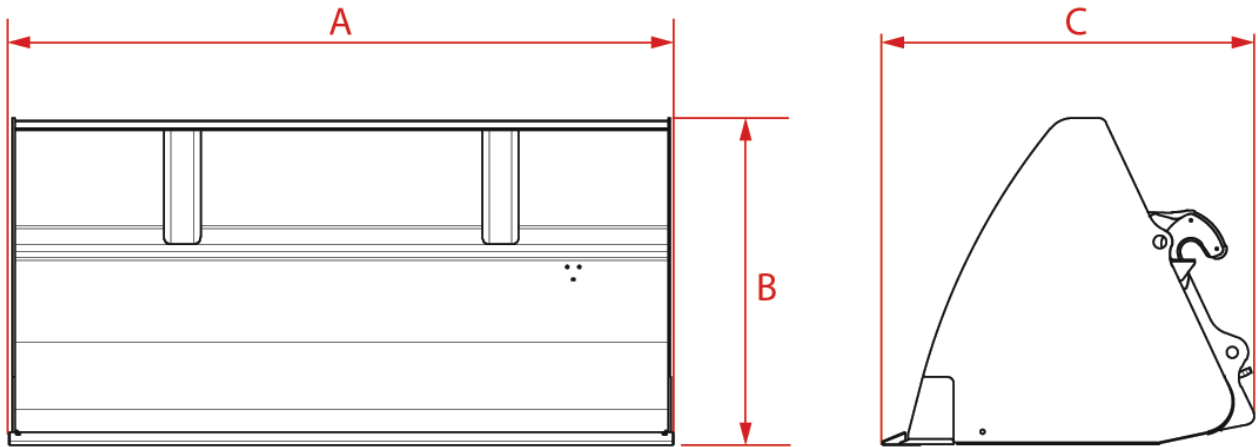
Indispensable tool for loading and handling material with a low specific weight, such as cereals, compost and shavings of various kinds.






#### Optionals:



**Technical Data**



	Code	A	B	C			
BUB2422	TBN0020	2370 mm (93,3 in)	1015 mm (40,0 in)	1025 mm (40,4 in)	1,2 m <sup>3</sup> (42 ft <sup>3</sup> )	500 kg/m <sup>3</sup> (31 lb/ft <sup>3</sup> )	360 kg (794 lb)
BUB2422/S	TBN0021	2370 mm (93,3 in)	1015 mm (40,0 in)	1025 mm (40,4 in)	1,2 m <sup>3</sup> (42 ft <sup>3</sup> )	500 kg/m <sup>3</sup> (31 lb/ft <sup>3</sup> )	360 kg (794 lb)
BUB2445	TBN0042;TBN 0086	2370 mm (93,3 in)	1244 mm (49,0 in)	1325 mm (52,2 in)	2 m <sup>3</sup> (71 ft <sup>3</sup> )	800 kg/m <sup>3</sup> (50 lb/ft <sup>3</sup> )	485 kg (1069 lb)
BUB2445/S	TBN0043;TBN 0087	2370 mm (93,3 in)	1244 mm (49,0 in)	1325 mm (52,2 in)	2 m <sup>3</sup> (71 ft <sup>3</sup> )	800 kg/m <sup>3</sup> (50 lb/ft <sup>3</sup> )	485 kg (1069 lb)
BUB2496	TBN0076	1800 mm (70,9 in)	1015 mm (40,0 in)	1098 mm (43,2 in)	0,9 m <sup>3</sup> (32 ft <sup>3</sup> )	800 kg/m <sup>3</sup> (50 lb/ft <sup>3</sup> )	470 kg (1036 lb)
BUB2529	TBN0094;TBN 0338	2500 mm (98,4 in)	1335 mm (52,6 in)	1713 mm (67,4 in)	4,5 m <sup>3</sup> (159 ft <sup>3</sup> )	800 kg/m <sup>3</sup> (50 lb/ft <sup>3</sup> )	1728 kg (3810 lb)
BUB2529-S	TBN0095;TBN 0339	2500 mm (98,4 in)	1335 mm (52,6 in)	1713 mm (67,4 in)	4,5 m <sup>3</sup> (159 ft <sup>3</sup> )	800 kg/m <sup>3</sup> (50 lb/ft <sup>3</sup> )	1728 kg (3810 lb)
BUB2635	TBN0047	2370 mm (93,3 in)	1404 mm (55,3 in)	1519 mm (59,8 in)	3 m <sup>3</sup> (106 ft <sup>3</sup> )	800 kg/m <sup>3</sup> (50 lb/ft <sup>3</sup> )	620 kg (1367 lb)
BUB2635-S	TBN0048	2370 mm (93,3 in)	1404 mm (55,3 in)	1519 mm (59,8 in)	3 m <sup>3</sup> (106 ft <sup>3</sup> )	800 kg/m <sup>3</sup> (50 lb/ft <sup>3</sup> )	620 kg (1367 lb)
BUB2644	TBN0044	2450 mm (96,5 in)	1050 mm (41,3 in)	1240 mm (48,8 in)	2,5 m <sup>3</sup> (88 ft <sup>3</sup> )	800 kg/m <sup>3</sup> (50 lb/ft <sup>3</sup> )	620 kg (1367 lb)
BUB2644-S	TBN0045	2450 mm (96,5 in)	1050 mm (41,3 in)	1240 mm (48,8 in)	2,5 m <sup>3</sup> (88 ft <sup>3</sup> )	800 kg/m <sup>3</sup> (50 lb/ft <sup>3</sup> )	620 kg (1367 lb)
BUB2656	TBN0198	2450 mm (96,5 in)	1200 mm (47,2 in)	1308 mm (51,5 in)	2,5 m <sup>3</sup> (88 ft <sup>3</sup> )	800 kg/m <sup>3</sup> (50 lb/ft <sup>3</sup> )	680 kg (1499 lb)

BUB2656-S	TBN0202	2450 mm (96,5 in)	1200 mm (47,2 in)	1308 mm (51,5 in)	2,5 m <sup>3</sup> (88 ft <sup>3</sup> )	800 kg/m <sup>3</sup> (50 lb/ft <sup>3</sup> )	748,5 kg (1650 lb)
BUB2657	TBN0207	2450 mm (96,5 in)	1300 mm (51,2 in)	1680 mm (66,1 in)	3,5 m <sup>3</sup> (124 ft <sup>3</sup> )	500 kg/m <sup>3</sup> (31 lb/ft <sup>3</sup> )	796 kg (1755 lb)
BUB2657-S	TBN0212	2450 mm (96,5 in)	1300 mm (51,2 in)	1680 mm (66,1 in)	3,5 m <sup>3</sup> (124 ft <sup>3</sup> )	500 kg/m <sup>3</sup> (31 lb/ft <sup>3</sup> )	864,5 kg (1906 lb)
BUB2664	TBN0124	1980 mm (78,0 in)	925 mm (36,4 in)	1120 mm (44,1 in)	1,25 m <sup>3</sup> (44 ft <sup>3</sup> )	800 kg/m <sup>3</sup> (50 lb/ft <sup>3</sup> )	332 kg (732 lb)
BUB2664-S	TBN0114	1980 mm (78,0 in)	925 mm (36,4 in)	1120 mm (44,1 in)	1,25 m <sup>3</sup> (44 ft <sup>3</sup> )	800 kg/m <sup>3</sup> (50 lb/ft <sup>3</sup> )	365,5 kg (806 lb)
BUB2665	TBN0127	1980 mm (78,0 in)	1000 mm (39,4 in)	1245 mm (49,0 in)	1,5 m <sup>3</sup> (53 ft <sup>3</sup> )	500 kg/m <sup>3</sup> (31 lb/ft <sup>3</sup> )	367 kg (809 lb)
BUB2665-S	TBN0128	1980 mm (78,0 in)	1000 mm (39,4 in)	1245 mm (49,0 in)	1,5 m <sup>3</sup> (53 ft <sup>3</sup> )	500 kg/m <sup>3</sup> (31 lb/ft <sup>3</sup> )	401 kg (884 lb)
BUB2678	TBN0195	2400 mm (94,5 in)	950 mm (37,4 in)	1087 mm (42,8 in)	1,5 m <sup>3</sup> (53 ft <sup>3</sup> )	800 kg/m <sup>3</sup> (50 lb/ft <sup>3</sup> )	535 kg (1179 lb)
BUB2678-S	TBN0199	2400 mm (94,5 in)	950 mm (37,4 in)	1087 mm (42,8 in)	1,5 m <sup>3</sup> (53 ft <sup>3</sup> )	800 kg/m <sup>3</sup> (50 lb/ft <sup>3</sup> )	602 kg (1327 lb)
BUB2679	TBN0203	2400 mm (94,5 in)	1150 mm (45,3 in)	1387 mm (54,6 in)	2,5 m <sup>3</sup> (88 ft <sup>3</sup> )	500 kg/m <sup>3</sup> (31 lb/ft <sup>3</sup> )	673 kg (1484 lb)
BUB2679-S	TBN0208	2400 mm (94,5 in)	1150 mm (45,3 in)	1387 mm (54,6 in)	2,5 m <sup>3</sup> (88 ft <sup>3</sup> )	500 kg/m <sup>3</sup> (31 lb/ft <sup>3</sup> )	740 kg (1631 lb)
BUB2684	TBN0204	2400 mm (94,5 in)	1150 mm (45,3 in)	1365 mm (53,7 in)	2,5 m <sup>3</sup> (88 ft <sup>3</sup> )	500 kg/m <sup>3</sup> (31 lb/ft <sup>3</sup> )	674 kg (1486 lb)
BUB2684-S	TBN0209	2400 mm (94,5 in)	1150 mm (45,3 in)	1365 mm (53,7 in)	2,5 m <sup>3</sup> (88 ft <sup>3</sup> )	500 kg/m <sup>3</sup> (31 lb/ft <sup>3</sup> )	741 kg (1634 lb)
BUB2692	TBN0196;TBN 0352	2400 mm (94,5 in)	950 mm (37,4 in)	1065 mm (41,9 in)	1,5 m <sup>3</sup> (53 ft <sup>3</sup> )	800 kg/m <sup>3</sup> (50 lb/ft <sup>3</sup> )	536,5 kg (1183 lb)
BUB2692-S	TBN0200;TBN 0353	2400 mm (94,5 in)	950 mm (37,4 in)	1065 mm (41,9 in)	1,5 m <sup>3</sup> (53 ft <sup>3</sup> )	800 kg/m <sup>3</sup> (50 lb/ft <sup>3</sup> )	603 kg (1329 lb)
BUB2701	TBN0165	2100 mm (82,7 in)	925 mm (36,4 in)	1084 mm (42,7 in)	1,35 m <sup>3</sup> (48 ft <sup>3</sup> )	800 kg/m <sup>3</sup> (50 lb/ft <sup>3</sup> )	354,5 kg (782 lb)
BUB2701-S	TBN0167	2100 mm (82,7 in)	925 mm (36,4 in)	1084 mm (42,7 in)	1,35 m <sup>3</sup> (48 ft <sup>3</sup> )	800 kg/m <sup>3</sup> (50 lb/ft <sup>3</sup> )	390 kg (860 lb)
BUB2706	TBN0169	2100 mm (82,7 in)	1000 mm (39,4 in)	1209 mm (47,6 in)	1,65 m <sup>3</sup> (58 ft <sup>3</sup> )	500 kg/m <sup>3</sup> (31 lb/ft <sup>3</sup> )	390 kg (860 lb)
BUB2706-S	TBN0171	2100 mm (82,7 in)	1000 mm (39,4 in)	1209 mm (47,6 in)	1,65 m <sup>3</sup> (58 ft <sup>3</sup> )	500 kg/m <sup>3</sup> (31 lb/ft <sup>3</sup> )	425,5 kg (938 lb)
BUB2713	TBN0166	1980 mm (78,0 in)	925 mm (36,4 in)	1170 mm (46,1 in)	1,25 m <sup>3</sup> (44 ft <sup>3</sup> )	800 kg/m <sup>3</sup> (50 lb/ft <sup>3</sup> )	342 kg (754 lb)
BUB2713-S	TBN0168	1980 mm (78,0 in)	925 mm (36,4 in)	1170 mm (46,1 in)	1,25 m <sup>3</sup> (44 ft <sup>3</sup> )	800 kg/m <sup>3</sup> (50 lb/ft <sup>3</sup> )	375,5 kg (828 lb)
BUB2714	TBN0170	1980 mm (78,0 in)	1000 mm (39,4 in)	1295 mm (51,0 in)	1,5 m <sup>3</sup> (53 ft <sup>3</sup> )	500 kg/m <sup>3</sup> (31 lb/ft <sup>3</sup> )	377 kg (831 lb)
BUB2714-S	TBN0172	1980 mm (78,0 in)	1000 mm (39,4 in)	1295 mm (51,0 in)	1,5 m <sup>3</sup> (53 ft <sup>3</sup> )	500 kg/m <sup>3</sup> (31 lb/ft <sup>3</sup> )	410,5 kg (905 lb)



BUB2719	TBN0106;TBN 0316	2400 mm (94,5 in)	950 mm (37,4 in)	1087 mm (42,8 in)	1,5 m <sup>3</sup> (53 ft <sup>3</sup> )	800 kg/m <sup>3</sup> (50 lb/ft <sup>3</sup> )	535 kg (1179 lb)
BUB2719-S	TBN0107;TBN 0317	2400 mm (94,5 in)	950 mm (37,4 in)	1087 mm (42,8 in)	1,5 m <sup>3</sup> (53 ft <sup>3</sup> )	800 kg/m <sup>3</sup> (50 lb/ft <sup>3</sup> )	602 kg (1327 lb)
BUB2720	TBN0108	2400 mm (94,5 in)	1150 mm (45,3 in)	1387 mm (54,6 in)	2,5 m <sup>3</sup> (88 ft <sup>3</sup> )	500 kg/m <sup>3</sup> (31 lb/ft <sup>3</sup> )	673 kg (1484 lb)
BUB2720-S	TBN0109	2400 mm (94,5 in)	1150 mm (45,3 in)	1387 mm (54,6 in)	2,5 m <sup>3</sup> (88 ft <sup>3</sup> )	500 kg/m <sup>3</sup> (31 lb/ft <sup>3</sup> )	740 kg (1631 lb)
BUB2751	TBN0197;TBN 0354	2450 mm (96,5 in)	1050 mm (41,3 in)	1237 mm (48,7 in)	2 m <sup>3</sup> (71 ft <sup>3</sup> )	800 kg/m <sup>3</sup> (50 lb/ft <sup>3</sup> )	600 kg (1323 lb)
BUB2751-S	TBN0201;TBN 0355	2450 mm (96,5 in)	1050 mm (41,3 in)	1237 mm (48,7 in)	2 m <sup>3</sup> (71 ft <sup>3</sup> )	800 kg/m <sup>3</sup> (50 lb/ft <sup>3</sup> )	680 kg (1499 lb)
BUB2753	TBN0205	2450 mm (96,5 in)	1225 mm (48,2 in)	1498 mm (59,0 in)	3 m <sup>3</sup> (106 ft <sup>3</sup> )	500 kg/m <sup>3</sup> (31 lb/ft <sup>3</sup> )	732 kg (1614 lb)
BUB2753-S	TBN0210	2450 mm (96,5 in)	1225 mm (48,2 in)	1498 mm (59,0 in)	3 m <sup>3</sup> (106 ft <sup>3</sup> )	500 kg/m <sup>3</sup> (31 lb/ft <sup>3</sup> )	815 kg (1797 lb)
BUB2805	TBN0320	2450 mm (96,5 in)	1280 mm (50,4 in)	1520 mm (59,8 in)	3 m <sup>3</sup> (106 ft <sup>3</sup> )	500 kg/m <sup>3</sup> (31 lb/ft <sup>3</sup> )	735 kg (1620 lb)
BUB2806	TBN0321	2450 mm (96,5 in)	1450 mm (57,1 in)	1820 mm (71,7 in)	4 m <sup>3</sup> (141 ft <sup>3</sup> )	500 kg/m <sup>3</sup> (31 lb/ft <sup>3</sup> )	820 kg (1808 lb)
BUB2813	TBN0329	1700 mm (66,9 in)	1124 mm (44,3 in)	1270 mm (50,0 in)	1,4 m <sup>3</sup> (49 ft <sup>3</sup> )	500 kg/m <sup>3</sup> (31 lb/ft <sup>3</sup> )	470 kg (1036 lb)
BUB2814	TBN0343	1700 mm (66,9 in)	1055 mm (41,5 in)	1130 mm (44,5 in)	1 m <sup>3</sup> (35 ft <sup>3</sup> )	500 kg/m <sup>3</sup> (31 lb/ft <sup>3</sup> )	407 kg (897 lb)
BUB2820	TBN0330	1700 mm (66,9 in)	1144 mm (45,0 in)	1340 mm (52,8 in)	1,4 m <sup>3</sup> (49 ft <sup>3</sup> )	500 kg/m <sup>3</sup> (31 lb/ft <sup>3</sup> )	455 kg (1003 lb)
BUB2826-S	TBN0346	2400 mm (94,5 in)	950 mm (37,4 in)	1087 mm (42,8 in)	1,5 m <sup>3</sup> (53 ft <sup>3</sup> )	800 kg/m <sup>3</sup> (50 lb/ft <sup>3</sup> )	530 kg (1168 lb)

## Excavating bucket with teeth

The excavating bucket with teeth has been designed for excavating and loading high density soils, such as earth, sand gravel and compact clay.

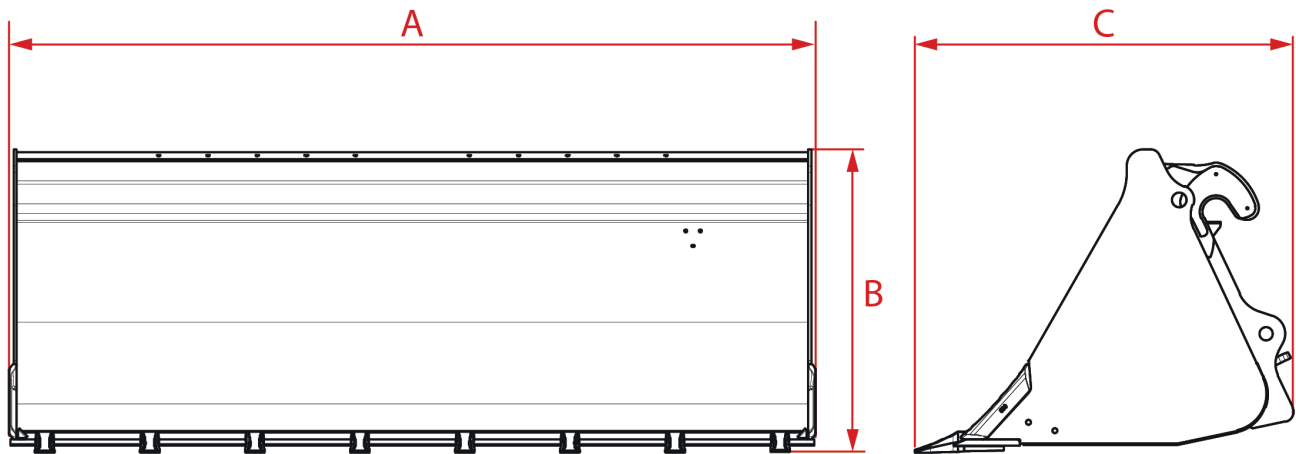
The teeth are interchangeable and provide excellent penetration, essential for working with high density material.



### Optionals:



**Technical Data**



	Code	A	B	C				
BUB2464	TBN0037	2370 mm (93,3 in)	890 mm (35,0 in)	937 mm (36,9 in)	0,9 m <sup>3</sup> (32 ft <sup>3</sup> )	1800 kg/m <sup>3</sup> (112 lb/ft <sup>3</sup> )	8	405 kg (893 lb)
BUB2464/S	TBN0038	2370 mm (93,3 in)	890 mm (35,0 in)	937 mm (36,9 in)	0,9 m <sup>3</sup> (32 ft <sup>3</sup> )	1800 kg/m <sup>3</sup> (112 lb/ft <sup>3</sup> )	8	405 kg (893 lb)
BUB2480	TBN0068	1820 mm (71,7 in)	884 mm (34,8 in)	800 mm (31,5 in)	0,48 m <sup>3</sup> (17 ft <sup>3</sup> )	1800 kg/m <sup>3</sup> (112 lb/ft <sup>3</sup> )	5	300 kg (661 lb)
BUB2480/S	TBN0069	1820 mm (71,7 in)	884 mm (34,8 in)	800 mm (31,5 in)	0,48 m <sup>3</sup> (17 ft <sup>3</sup> )	1800 kg/m <sup>3</sup> (112 lb/ft <sup>3</sup> )	5	300 kg (661 lb)
BUB2655	TBN0194	2450 mm (96,5 in)	900 mm (35,4 in)	1033 mm (40,7 in)	1,25 m <sup>3</sup> (44 ft <sup>3</sup> )	1800 kg/m <sup>3</sup> (112 lb/ft <sup>3</sup> )	8	580 kg (1279 lb)
BUB2662	TBN0117	1980 mm (78,0 in)	850 mm (33,5 in)	945 mm (37,2 in)	0,85 m <sup>3</sup> (30 ft <sup>3</sup> )	1800 kg/m <sup>3</sup> (112 lb/ft <sup>3</sup> )	6	297 kg (655 lb)
BUB2676	TBN0191	2400 mm (94,5 in)	893 mm (35,2 in)	987 mm (38,9 in)	1 m <sup>3</sup> (35 ft <sup>3</sup> )	1800 kg/m <sup>3</sup> (112 lb/ft <sup>3</sup> )	8	512,5 kg (1130 lb)
BUB2680	TBN0102;T BN0350	2300 mm (90,6 in)	893 mm (35,2 in)	965 mm (38,0 in)	1,2 m <sup>3</sup> (42 ft <sup>3</sup> )	1800 kg/m <sup>3</sup> (112 lb/ft <sup>3</sup> )	7	488,2 kg (1076 lb)
BUB2696	TBN0193	2400 mm (94,5 in)	893 mm (35,2 in)	965 mm (38,0 in)	1,25 m <sup>3</sup> (44 ft <sup>3</sup> )	1800 kg/m <sup>3</sup> (112 lb/ft <sup>3</sup> )	8	506,7 kg (1117 lb)
BUB2698	TBN0121	1900 mm (74,8 in)	850 mm (33,5 in)	945 mm (37,2 in)	0,8 m <sup>3</sup> (28 ft <sup>3</sup> )	1800 kg/m <sup>3</sup> (112 lb/ft <sup>3</sup> )	6	289 kg (637 lb)
BUB2700	TBN0162	2100 mm (82,7 in)	850 mm (33,5 in)	909 mm (35,8 in)	0,9 m <sup>3</sup> (32 ft <sup>3</sup> )	1800 kg/m <sup>3</sup> (112 lb/ft <sup>3</sup> )	6	318 kg (701 lb)
BUB2716	TBN0163	2100 mm (82,7 in)	850 mm (33,5 in)	995 mm (39,2 in)	0,9 m <sup>3</sup> (32 ft <sup>3</sup> )	1800 kg/m <sup>3</sup> (112 lb/ft <sup>3</sup> )	6	318 kg (701 lb)
BUB2718	TBN0105	2400 mm (94,5 in)	893 mm (35,2 in)	987 mm (38,9 in)	1 m <sup>3</sup> (35 ft <sup>3</sup> )	1800 kg/m <sup>3</sup> (112 lb/ft <sup>3</sup> )	8	512,5 kg (1130 lb)
BUB2790	TBN0302	3000 mm (118,1 in)	1390 mm (54,7 in)	1924 mm (75,7 in)	3,8 m <sup>3</sup> (134 ft <sup>3</sup> )	1800 kg/m <sup>3</sup> (112 lb/ft <sup>3</sup> )	8	1746 kg (3849 lb)

BUB2794	TBN0093;T BN0337	2500 mm (98,4 in)	1389 mm (54,7 in)	1924 mm (75,7 in)	3 m <sup>3</sup> (106 ft <sup>3</sup> )	1800 kg/m <sup>3</sup> (112 lb/ft <sup>3</sup> )	8	1485 kg (3274 lb)
BUB2811	TBN0327	1700 mm (66,9 in)	845 mm (33,3 in)	1094 mm (43,1 in)	0,7 m <sup>3</sup> (25 ft <sup>3</sup> )	1800 kg/m <sup>3</sup> (112 lb/ft <sup>3</sup> )	5	292 kg (644 lb)

## Excavating bucket without teeth



The excavating bucket has been designed for excavating and loading high density soils, such as earth, sand gravel and compact clay.

The bucket shape provides excellent penetration, with consequent maximization of the load to move it in a stable way.



### Optionals:



Blade cover

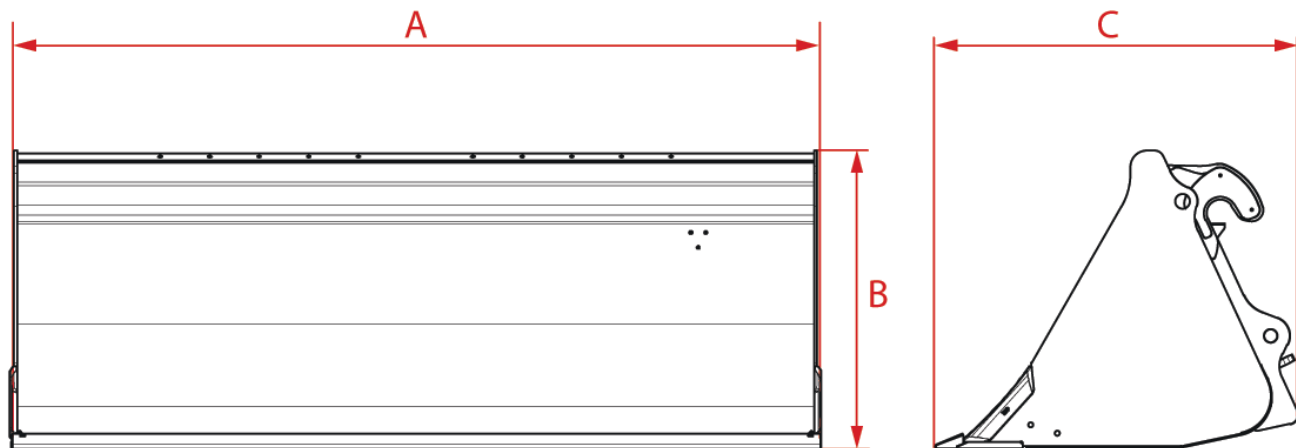


Mobile level indicator



Full rear guard

## Technical Data



	Code	A	B	C			
BUB2465	TBN0039	2370 mm (93,3 in)	890 mm (35,0 in)	937 mm (36,9 in)	0,9 m <sup>3</sup> (32 ft <sup>3</sup> )	1800 kg/m <sup>3</sup> (112 lb/ft <sup>3</sup> )	425 kg (937 lb)
BUB2465-S	TBN0040	2370 mm (93,3 in)	890 mm (35,0 in)	937 mm (36,9 in)	0,9 m <sup>3</sup> (32 ft <sup>3</sup> )	1800 kg/m <sup>3</sup> (112 lb/ft <sup>3</sup> )	425 kg (937 lb)
BUB2654	TBN0185	2450 mm (96,5 in)	900 mm (35,4 in)	1033 mm (40,7 in)	1,25 m <sup>3</sup> (44 ft <sup>3</sup> )	1800 kg/m <sup>3</sup> (112 lb/ft <sup>3</sup> )	559 kg (1232 lb)
BUB2654-S	TBN0190	2450 mm (96,5 in)	900 mm (35,4 in)	1033 mm (40,7 in)	1,25 m <sup>3</sup> (44 ft <sup>3</sup> )	1800 kg/m <sup>3</sup> (112 lb/ft <sup>3</sup> )	627,5 kg (1383 lb)
BUB2661	TBN0115	1980 mm (78,0 in)	850 mm (33,5 in)	945 mm (37,2 in)	0,85 m <sup>3</sup> (30 ft <sup>3</sup> )	1800 kg/m <sup>3</sup> (112 lb/ft <sup>3</sup> )	286,5 kg (632 lb)
BUB2661-S	TBN0116	1980 mm (78,0 in)	850 mm (33,5 in)	945 mm (37,2 in)	0,85 m <sup>3</sup> (30 ft <sup>3</sup> )	1800 kg/m <sup>3</sup> (112 lb/ft <sup>3</sup> )	320 kg (705 lb)
BUB2677	TBN0181	2400 mm (94,5 in)	893 mm (35,2 in)	987 mm (38,9 in)	1 m <sup>3</sup> (35 ft <sup>3</sup> )	1800 kg/m <sup>3</sup> (112 lb/ft <sup>3</sup> )	490 kg (1080 lb)
BUB2677-S	TBN0186	2400 mm (94,5 in)	893 mm (35,2 in)	987 mm (38,9 in)	1 m <sup>3</sup> (35 ft <sup>3</sup> )	1800 kg/m <sup>3</sup> (112 lb/ft <sup>3</sup> )	557 kg (1228 lb)
BUB2694	TBN0183;TBN 0349	2300 mm (90,6 in)	893 mm (35,2 in)	965 mm (38,0 in)	1,2 m <sup>3</sup> (42 ft <sup>3</sup> )	1800 kg/m <sup>3</sup> (112 lb/ft <sup>3</sup> )	470 kg (1036 lb)
BUB2694-S	TBN0188;TBN 0351	2300 mm (90,6 in)	893 mm (35,2 in)	965 mm (38,0 in)	1,2 m <sup>3</sup> (42 ft <sup>3</sup> )	1800 kg/m <sup>3</sup> (112 lb/ft <sup>3</sup> )	534 kg (1177 lb)
BUB2695	TBN0184	2400 mm (94,5 in)	893 mm (35,2 in)	965 mm (38,0 in)	1,25 m <sup>3</sup> (44 ft <sup>3</sup> )	1800 kg/m <sup>3</sup> (112 lb/ft <sup>3</sup> )	488,5 kg (1077 lb)
BUB2695-S	TBN0189	2400 mm (94,5 in)	893 mm (35,2 in)	965 mm (38,0 in)	1,25 m <sup>3</sup> (44 ft <sup>3</sup> )	1800 kg/m <sup>3</sup> (112 lb/ft <sup>3</sup> )	555,5 kg (1225 lb)

BUB2697	TBN0122	1900 mm (74,8 in)	850 mm (33,5 in)	945 mm (37,2 in)	0,8 m <sup>3</sup> (28 ft <sup>3</sup> )	1800 kg/m <sup>3</sup> (112 lb/ft <sup>3</sup> )	278,5 kg (614 lb)
BUB2697-S	TBN0123	1900 mm (74,8 in)	850 mm (33,5 in)	945 mm (37,2 in)	0,8 m <sup>3</sup> (28 ft <sup>3</sup> )	1800 kg/m <sup>3</sup> (112 lb/ft <sup>3</sup> )	310 kg (683 lb)
BUB2699	TBN0150	2100 mm (82,7 in)	850 mm (33,5 in)	909 mm (35,8 in)	0,9 m <sup>3</sup> (32 ft <sup>3</sup> )	1800 kg/m <sup>3</sup> (112 lb/ft <sup>3</sup> )	307 kg (677 lb)
BUB2699-S	TBN0151	2100 mm (82,7 in)	850 mm (33,5 in)	909 mm (35,8 in)	0,9 m <sup>3</sup> (32 ft <sup>3</sup> )	1800 kg/m <sup>3</sup> (112 lb/ft <sup>3</sup> )	342,5 kg (755 lb)
BUB2715	TBN0156	2100 mm (82,7 in)	850 mm (33,5 in)	995 mm (39,2 in)	0,9 m <sup>3</sup> (32 ft <sup>3</sup> )	1800 kg/m <sup>3</sup> (112 lb/ft <sup>3</sup> )	307 kg (677 lb)
BUB2715-S	TBN0157	2100 mm (82,7 in)	850 mm (33,5 in)	995 mm (39,2 in)	0,9 m <sup>3</sup> (32 ft <sup>3</sup> )	1800 kg/m <sup>3</sup> (112 lb/ft <sup>3</sup> )	342,5 kg (755 lb)
BUB2717	TBN0136;TBN 0314	2400 mm (94,5 in)	893 mm (35,2 in)	987 mm (38,9 in)	1 m <sup>3</sup> (35 ft <sup>3</sup> )	1800 kg/m <sup>3</sup> (112 lb/ft <sup>3</sup> )	490 kg (1080 lb)
BUB2717-S	TBN0104;TBN 0315	2400 mm (94,5 in)	893 mm (35,2 in)	987 mm (38,9 in)	1 m <sup>3</sup> (35 ft <sup>3</sup> )	1800 kg/m <sup>3</sup> (112 lb/ft <sup>3</sup> )	557 kg (1228 lb)
BUB2789	TBN0300	3000 mm (118,1 in)	1387 mm (54,6 in)	1713 mm (67,4 in)	3,8 m <sup>3</sup> (134 ft <sup>3</sup> )	1800 kg/m <sup>3</sup> (112 lb/ft <sup>3</sup> )	321 kg (708 lb)
BUB2789-S	TBN0301	3000 mm (118,1 in)	1387 mm (54,6 in)	1762 mm (69,4 in)	3,8 m <sup>3</sup> (134 ft <sup>3</sup> )	1800 kg/m <sup>3</sup> (112 lb/ft <sup>3</sup> )	321 kg (708 lb)
BUB2793	TBN0091;TBN 0335	2500 mm (98,4 in)	1335 mm (52,6 in)	1713 mm (67,4 in)	3 m <sup>3</sup> (106 ft <sup>3</sup> )	1800 kg/m <sup>3</sup> (112 lb/ft <sup>3</sup> )	1355 kg (2987 lb)
BUB2793-S	TBN0092;TBN 0336	2500 mm (98,4 in)	1335 mm (52,6 in)	1713 mm (67,4 in)	3 m <sup>3</sup> (106 ft <sup>3</sup> )	1800 kg/m <sup>3</sup> (112 lb/ft <sup>3</sup> )	1425 kg (3142 lb)
BUB2810	TBN0326	1700 mm (66,9 in)	845 mm (33,3 in)	965 mm (38,0 in)	0,7 m <sup>3</sup> (25 ft <sup>3</sup> )	1800 kg/m <sup>3</sup> (112 lb/ft <sup>3</sup> )	275 kg (606 lb)
BUB2812	TBN0328	1700 mm (66,9 in)	865 mm (34,1 in)	995 mm (39,2 in)	0,7 m <sup>3</sup> (25 ft <sup>3</sup> )	1800 kg/m <sup>3</sup> (112 lb/ft <sup>3</sup> )	326 kg (719 lb)

## Bucket for manure



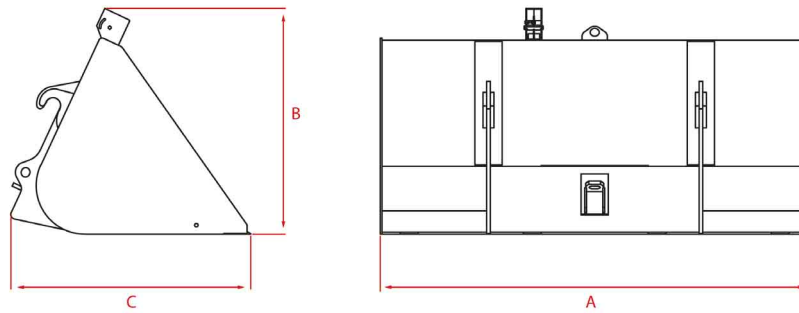
This tool is suitable for collecting and handling large quantities of fertilizer within farms.

It enables the collection, transport and easy handling of large loads from the place of production to the place of use.





**Technical Data**



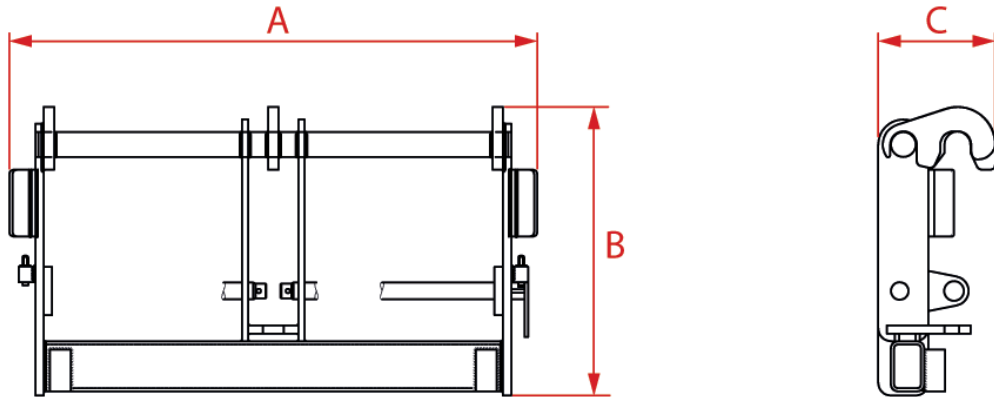
Code	Price list equipment code	Width (A)	Height (B)	Length (C)	SAE heap capacity	Struck capacity	Maximum density	Weight
BUB2501	TBN0041	2386 mm (93,9 in)	945 mm (37,2 in)	1175 mm (46,3 in)	1,51 m <sup>3</sup> (53 ft <sup>3</sup> )	1,21 m <sup>3</sup> (43 ft <sup>3</sup> )	800 kg/m <sup>3</sup> (50 lb/ft <sup>3</sup> )	800 kg (1764 lb)
BUB2539	TBN0018	2390 mm (94,1 in)	1250 mm (49,2 in)	1046 mm (41,2 in)	1,45 m <sup>3</sup> (51 ft <sup>3</sup> )	1,32 m <sup>3</sup> (47 ft <sup>3</sup> )	800 kg/m <sup>3</sup> (50 lb/ft <sup>3</sup> )	530 kg (1168 lb)
BUB2539/S	TBN0019	2390 mm (94,1 in)	1250 mm (49,2 in)	1046 mm (41,2 in)	1,45 m <sup>3</sup> (51 ft <sup>3</sup> )	1,32 m <sup>3</sup> (47 ft <sup>3</sup> )	800 kg/m <sup>3</sup> (50 lb/ft <sup>3</sup> )	530 kg (1168 lb)
BUB2542	TBN0006	2020 mm (79,5 in)	1122 mm (44,2 in)	1046 mm (41,2 in)	1,22 m <sup>3</sup> (43 ft <sup>3</sup> )	1,11 m <sup>3</sup> (39 ft <sup>3</sup> )	800 kg/m <sup>3</sup> (50 lb/ft <sup>3</sup> )	490 kg (1080 lb)
BUB2542/S	TBN0012	2020 mm (79,5 in)	1122 mm (44,2 in)	1046 mm (41,2 in)	1,22 m <sup>3</sup> (43 ft <sup>3</sup> )	1,11 m <sup>3</sup> (39 ft <sup>3</sup> )	800 kg/m <sup>3</sup> (50 lb/ft <sup>3</sup> )	490 kg (1080 lb)





## Counterplates

### Counterplate



**Technical Data**



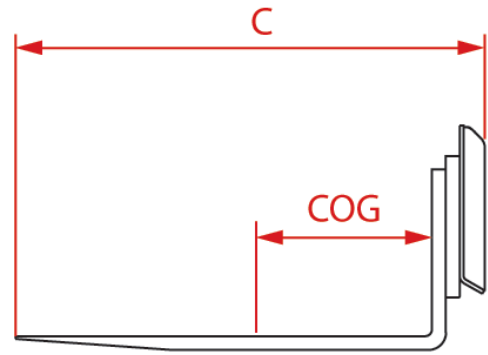
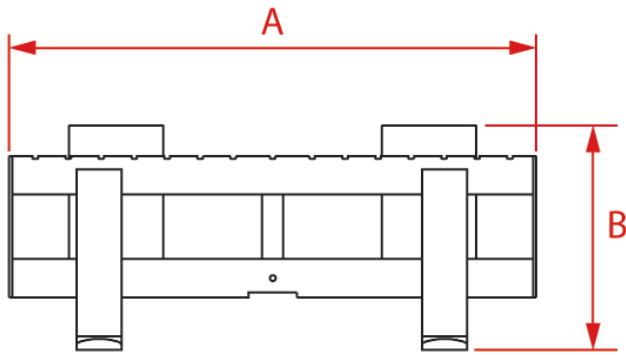
	Code				
BCV8238	TCV0002	1265 mm (49,8 in)	690 mm (27,2 in)	280 mm (11,0 in)	125 kg (276 lb)
BCV8276	TCV0011	1415 mm (55,7 in)	760 mm (29,9 in)	350 mm (13,8 in)	210 kg (463 lb)
BCV8279	TCV0007	1405 mm (55,3 in)	720 mm (28,3 in)	200 mm (7,9 in)	132 kg (291 lb)
BCV8336	TCV0038	1275 mm (50,2 in)	650 mm (25,6 in)	280 mm (11,0 in)	122 kg (269 lb)








## Counterplate with FEM forks



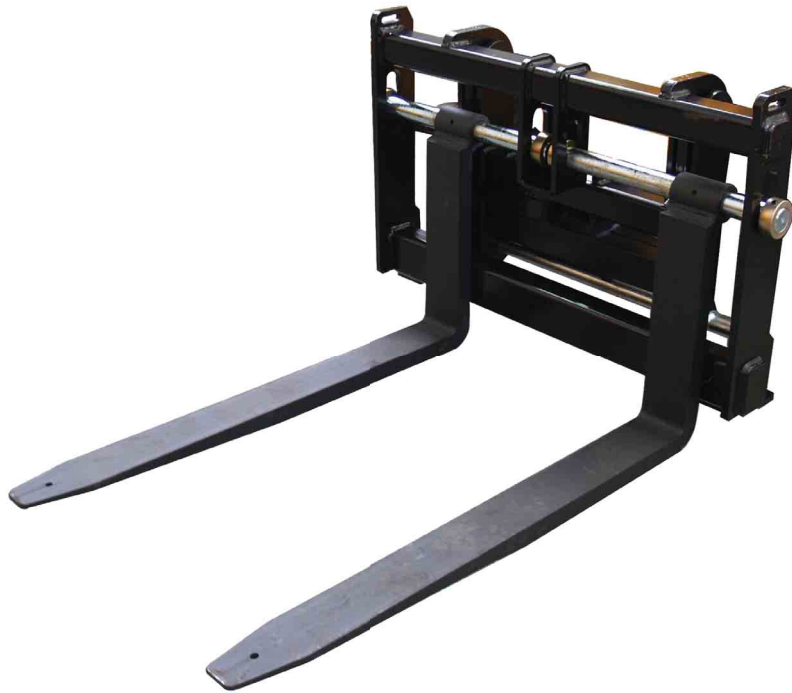
Counterplate with forks and FEM coupling, equipped with lower hooks and upper positioning fasteners to be adapted to the width of the load.

**Technical Data**



	Code							
BCV8099	TCV0006	1300 mm (51,2 in)	789 mm (31,1 in)	1296 mm (51,0 in)	100 mm (3,9 in)	50 mm (2,0 in)	500 mm (19,7 in)	500 kg (1102 lb)
BCV8328	TCV0034	1000 mm (39,4 in)	800 mm (31,5 in)	1500 mm (59,1 in)	100 mm (3,9 in)	45 mm (1,8 in)	500 mm (19,7 in)	220 kg (485 lb)
BCV8341	TCV0043	1316 mm (51,8 in)	905 mm (35,6 in)	1542 mm (60,7 in)	150 mm (5,9 in)	60 mm (2,4 in)	600 mm (23,6 in)	530 kg (1168 lb)
BCV8356	TCV0061	1000 mm (39,4 in)	815 mm (32,1 in)	1471 mm (57,9 in)	100 mm (3,9 in)	40 mm (1,6 in)	500 mm (19,7 in)	180 kg (397 lb)

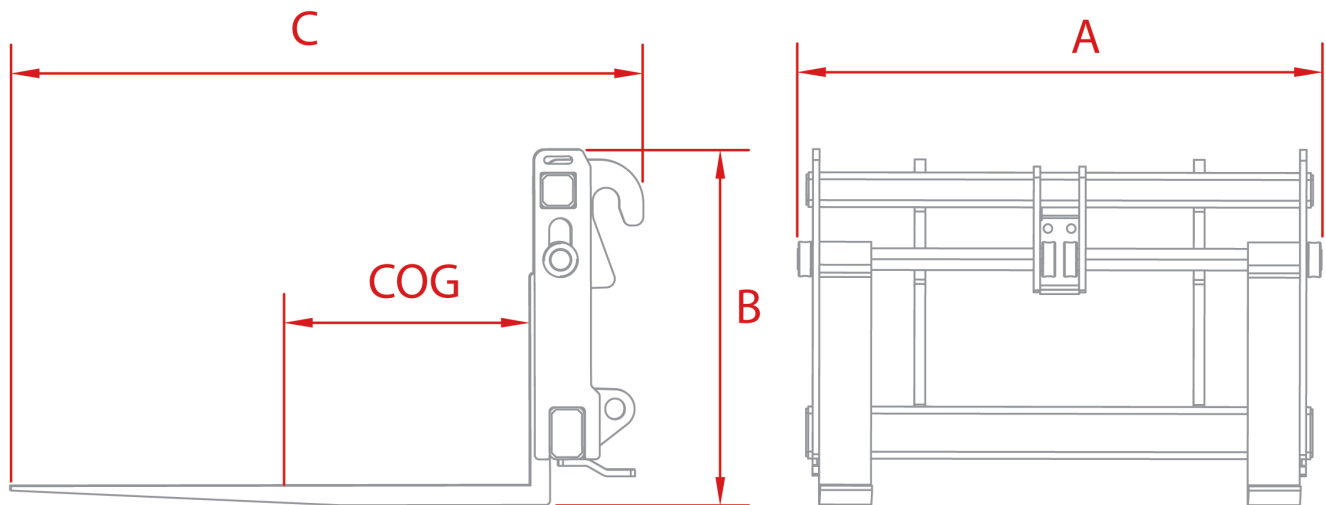
## Counterplate with floating forks



Counterplate with floating forks, which can self-adjust vertically to adapt to non-level operational load conditions.



**Technical Data**



	Code	A	B	C			COG			
BCV8071	TCV0014	1210 mm (47,6 in)	715 mm (28,1 in)	1468 mm (57,8 in)	120 mm (4,7 in)	45 mm (1,8 in)	500 mm (19,7 in)	2500 kg (5512 lb)	250 kg (551 lb)	
BCV8312	TCV0029	1656 mm (65,2 in)	907 mm (35,7 in)	1836 mm (72,3 in)	130 mm (5,1 in)	60 mm (2,4 in)	500 mm (19,7 in)	4200 kg (9259 lb)	435 kg (959 lb)	
BCV8313	TCV0030	1656 mm (65,2 in)	907 mm (35,7 in)	1836 mm (72,3 in)	130 mm (5,1 in)	60 mm (2,4 in)	600 mm (23,6 in)	4200 kg (9259 lb)	550 kg (1213 lb)	
BCV8314	TCV0031	1656 mm (65,2 in)	907 mm (35,7 in)	1836 mm (72,3 in)	130 mm (5,1 in)	60 mm (2,4 in)	600 mm (23,6 in)	4200 kg (9259 lb)	435 kg (959 lb)	
BCV8315	TCV0032	1656 mm (65,2 in)	907 mm (35,7 in)	1836 mm (72,3 in)	130 mm (5,1 in)	60 mm (2,4 in)	600 mm (23,6 in)	6500 kg (14330 lb)	550 kg (1213 lb)	
BCV8345	TCV0049	1300 mm (51,2 in)	920 mm (36,2 in)	1435 mm (56,5 in)	120 mm (4,7 in)	50 mm (2,0 in)	500 mm (19,7 in)	5000 kg (11023 lb)	261 kg (575 lb)	
BCV8351	TCV0057	1210 mm (47,6 in)	893 mm (35,2 in)	1440 mm (56,7 in)	120 mm (4,7 in)	45 mm (1,8 in)	500 mm (19,7 in)	4200 kg (9259 lb)	240 kg (529 lb)	
BCV8352	TCV0052	1340 mm (52,8 in)	895 mm (35,2 in)	1440 mm (56,7 in)	120 mm (4,7 in)	45 mm (1,8 in)	500 mm (19,7 in)	4200 kg (9259 lb)	230 kg (507 lb)	
BCV8353	TCV0054	1300 mm (51,2 in)	930 mm (36,6 in)	1435 mm (56,5 in)	130 mm (5,1 in)	60 mm (2,4 in)	600 mm (23,6 in)	6000 kg (13228 lb)	315 kg (694 lb)	
BCV8374	TCV0075	1320 mm (52,0 in)	805 mm (31,7 in)	1310 mm (51,6 in)	100 mm (3,9 in)	50 mm (2,0 in)	500 mm (19,7 in)	5000 kg (11023 lb)	280 kg (617 lb)	
BCV8375	TCV0078	1320 mm (52,0 in)	805 mm (31,7 in)	1460 mm (57,5 in)	120 mm (4,7 in)	50 mm (2,0 in)	500 mm (19,7 in)	5000 kg (11023 lb)	320 kg (705 lb)	
BCV8645	TCV0059	1210 mm (47,6 in)	820 mm (32,3 in)	1460 mm (57,5 in)	100 mm (3,9 in)	40 mm (1,6 in)	500 mm (19,7 in)	2500 kg (5512 lb)	220 kg (485 lb)	

## Forks

### Floating forks

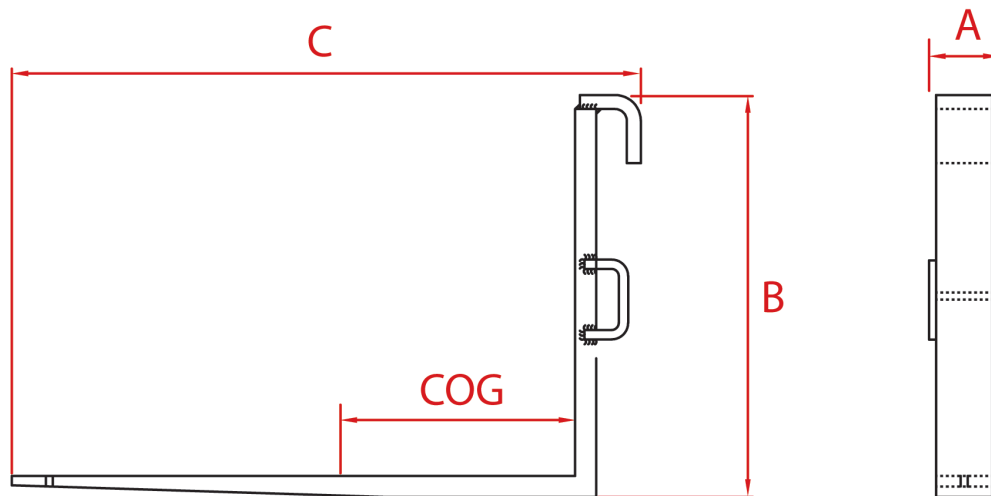


The floating forks are used for loading and unloading pallets even from inclined and uneven surfaces such as trucks with heavy gradients and rough terrain, they adapt perfectly to the support surface of the material to be moved thanks to their vertical sliding movement.





**Technical Data**



	Code	A	B	C				COG		
BUD1039	TFR0005	100 mm (3,9 in)	570 mm (22,4 in)	1280 mm (50,4 in)	100 mm (3,9 in)	50 mm (2,0 in)	1200 mm (47,2 in)	760 mm (29,9 in)	3800 kg (8378 lb)	65 kg (143 lb)
BUD1060	TFR0001	150 mm (5,9 in)	855 mm (33,7 in)	1340 mm (52,8 in)	120 mm (4,7 in)	45 mm (1,8 in)	1200 mm (47,2 in)	500 mm (19,7 in)	3800 kg (8378 lb)	82 kg (181 lb)
BUD1077	TFR0007	150 mm (5,9 in)	865 mm (34,1 in)	1345 mm (53,0 in)	120 mm (4,7 in)	50 mm (2,0 in)	1200 mm (47,2 in)	500 mm (19,7 in)	4500 kg (9921 lb)	97 kg (214 lb)
BUD1079	TFR0004	150 mm (5,9 in)	860 mm (33,9 in)	1345 mm (53,0 in)	120 mm (4,7 in)	50 mm (2,0 in)	1200 mm (47,2 in)	500 mm (19,7 in)	4000 kg (8818 lb)	85 kg (187 lb)
BUD1085	TFR0022	200 mm (7,9 in)	1100 mm (43,3 in)	2024 mm (79,7 in)	200 mm (7,9 in)	70 mm (2,8 in)	1800 mm (70,9 in)	600 mm (23,6 in)	13000 kg (28660 lb)	320 kg (705 lb)
BUD1091	TFR0023; TFR0053	200 mm (7,9 in)	1130 mm (44,5 in)	2634 mm (103,7 in)	200 mm (7,9 in)	80 mm (3,1 in)	2400 mm (94,5 in)	600 mm (23,6 in)	16000 kg (35274 lb)	444 kg (979 lb)
BUD1104	TFR0024	200 mm (7,9 in)	1160 mm (45,7 in)	2059 mm (81,1 in)	200 mm (7,9 in)	95 mm (3,7 in)	1800 mm (70,9 in)	900 mm (35,4 in)	21000 kg (46297 lb)	440 kg (970 lb)
BUD1105	TFR0025	200 mm (7,9 in)	1160 mm (45,7 in)	2659 mm (104,7 in)	200 mm (7,9 in)	95 mm (3,7 in)	2400 mm (94,5 in)	900 mm (35,4 in)	21000 kg (46297 lb)	530 kg (1168 lb)
BUD1187	TFR0010; TFR0017	180 mm (7,1 in)	890 mm (35,0 in)	1375 mm (54,1 in)	150 mm (5,9 in)	60 mm (2,4 in)	1200 mm (47,2 in)	600 mm (23,6 in)	7500 kg (16535 lb)	140 kg (309 lb)
BUD1188	TFR0011; TFR0018	230 mm (9,1 in)	890 mm (35,0 in)	1575 mm (62,0 in)	200 mm (7,9 in)	60 mm (2,4 in)	1400 mm (55,1 in)	600 mm (23,6 in)	7500 kg (16535 lb)	220 kg (485 lb)

BUD1201	TFR0028	160 mm (6,3 in)	905 mm (35,6 in)	1660 mm (65,4 in)	130 mm (5,1 in)	60 mm (2,4 in)	1525 mm (60,0 in)	600 mm (23,6 in)	6500 kg (14330 lb)	280 kg (617 lb)
BUD1202	TFR0029	160 mm (6,3 in)	905 mm (35,6 in)	1960 mm (77,2 in)	130 mm (5,1 in)	60 mm (2,4 in)	1830 mm (72,0 in)	600 mm (23,6 in)	6500 kg (14330 lb)	158 kg (348 lb)
BUD1219	TFR0027; TFR0043	150 mm (5,9 in)	890 mm (35,0 in)	1355 mm (53,3 in)	120 mm (4,7 in)	45 mm (1,8 in)	1200 mm (47,2 in)	600 mm (23,6 in)	4500 kg (9921 lb)	410 kg (904 lb)
BUD1222	TFR0042	250 mm (9,8 in)	1100 mm (43,3 in)	2549 mm (100,4 in)	250 mm (9,8 in)	100 mm (3,9 in)	2500 mm (98,4 in)	1200 mm (47,2 in)	18900 kg (41667 lb)	695 kg (1532 lb)
BUD1236	TFR0041	200 mm (7,9 in)	1210 mm (47,6 in)	2064 mm (81,3 in)	200 mm (7,9 in)	100 mm (3,9 in)	1800 mm (70,9 in)	900 mm (35,4 in)	23000 kg (50706 lb)	914 kg (2015 lb)
BUD1249	TFR0039	150 mm (5,9 in)	850 mm (33,5 in)	1375 mm (54,1 in)	120 mm (4,7 in)	50 mm (2,0 in)	1200 mm (47,2 in)	500 mm (19,7 in)	5000 kg (11023 lb)	160 kg (353 lb)
BUD1266	TFR0046	130 mm (5,1 in)	840 mm (33,1 in)	1200 mm (47,2 in)	130 mm (5,1 in)	60 mm (2,4 in)	1200 mm (47,2 in)	600 mm (23,6 in)	6500 kg (14330 lb)	234 kg (516 lb)
BUD1271	TFR0021; TFR0051	200 mm (7,9 in)	1100 mm (43,3 in)	1424 mm (56,1 in)	200 mm (7,9 in)	70 mm (2,8 in)	1200 mm (47,2 in)	600 mm (23,6 in)	13000 kg (28660 lb)	257 kg (567 lb)
BUD1288	TFR0058	200 mm (7,9 in)	1210 mm (47,6 in)	2070 mm (81,5 in)	200 mm (7,9 in)	105 mm (4,1 in)	1800 mm (70,9 in)	900 mm (35,4 in)	23000 kg (50706 lb)	980 kg (2161 lb)
BUD1293	TFR0052	200 mm (7,9 in)	70 mm (2,8 in)	2024 mm (79,7 in)	200 mm (7,9 in)	70 mm (2,8 in)	1800 mm (70,9 in)	600 mm (23,6 in)	13000 kg (28660 lb)	640 kg (1411 lb)

## Fork with two prongs



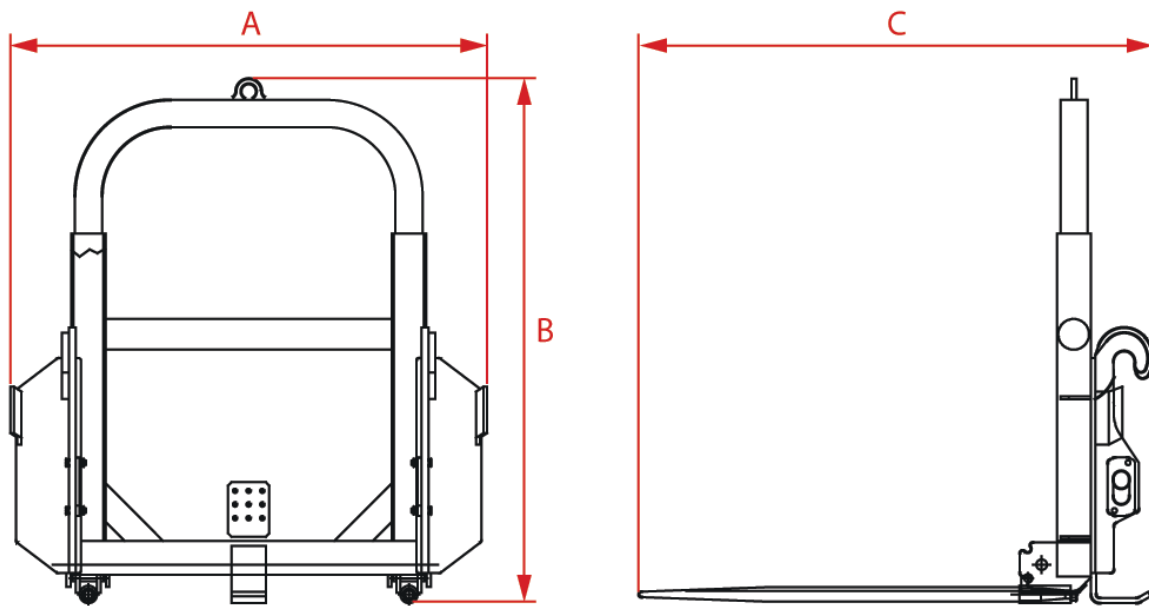
Tool suitable for handling round or square hay or fodder bales.

The front tips can be turned up for road circulation.

The frame is equipped with an upper (extensible) protection to prevent material from falling.



## Technical Data



	Code	<b>A</b>	<b>B</b>	<b>C</b>		
BUB2435/0G	TGN0007;TGN0083	1400 mm (55,1 in)	1500 mm (59,1 in)	1500 mm (59,1 in)	600 kg (1323 lb)	185 kg (408 lb)
BUB2487/0G	TGN0036	1100 mm (43,3 in)	1500 mm (59,1 in)	1500 mm (59,1 in)	600 kg (1323 lb)	185 kg (408 lb)
BUB2505/0G	TGN0018	1300 mm (51,2 in)	1500 mm (59,1 in)	1500 mm (59,1 in)	600 kg (1323 lb)	185 kg (408 lb)

## Fork with three prongs



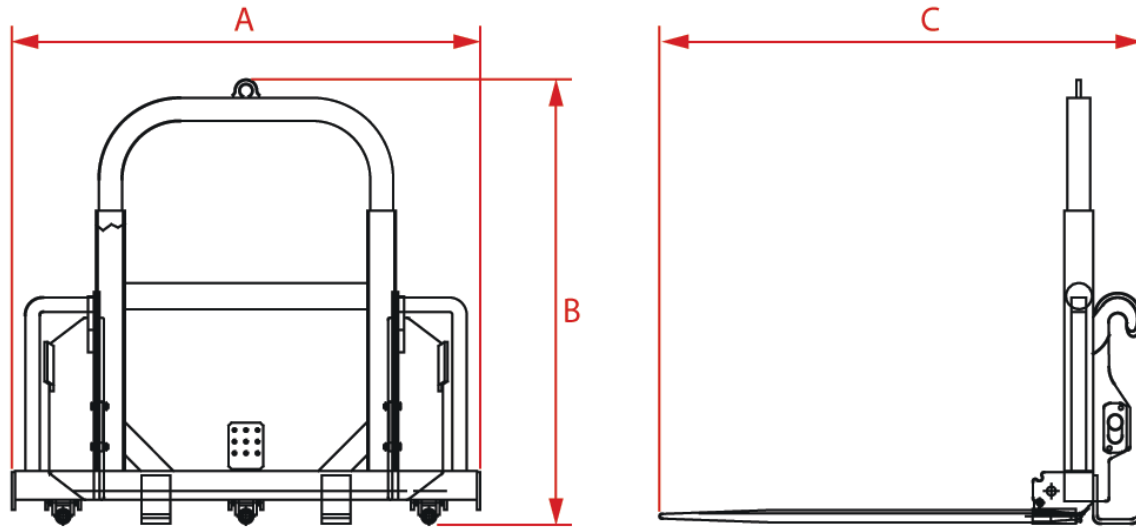
Tool suitable for handling round or square hay or fodder bales.

The front tips can be turned up for road circulation.

The frame is equipped with an upper (extensible) protection to prevent material from falling.



## Technical Data



	Code	<b>A</b>	<b>B</b>	<b>C</b>		
BUB2440/0G	TGN0008;TGN0084	1624 mm (63,9 in)	1500 mm (59,1 in)	1500 mm (59,1 in)	600 kg (1323 lb)	225 kg (496 lb)
BUB2565/0G	TGN0019	1530 mm (60,2 in)	1500 mm (59,1 in)	1420 mm (55,9 in)	580 kg (1279 lb)	225 kg (496 lb)
BUB2799	TGN0063	1530 mm (60,2 in)	1500 mm (59,1 in)	1420 mm (55,9 in)	580 kg (1279 lb)	225 kg (496 lb)

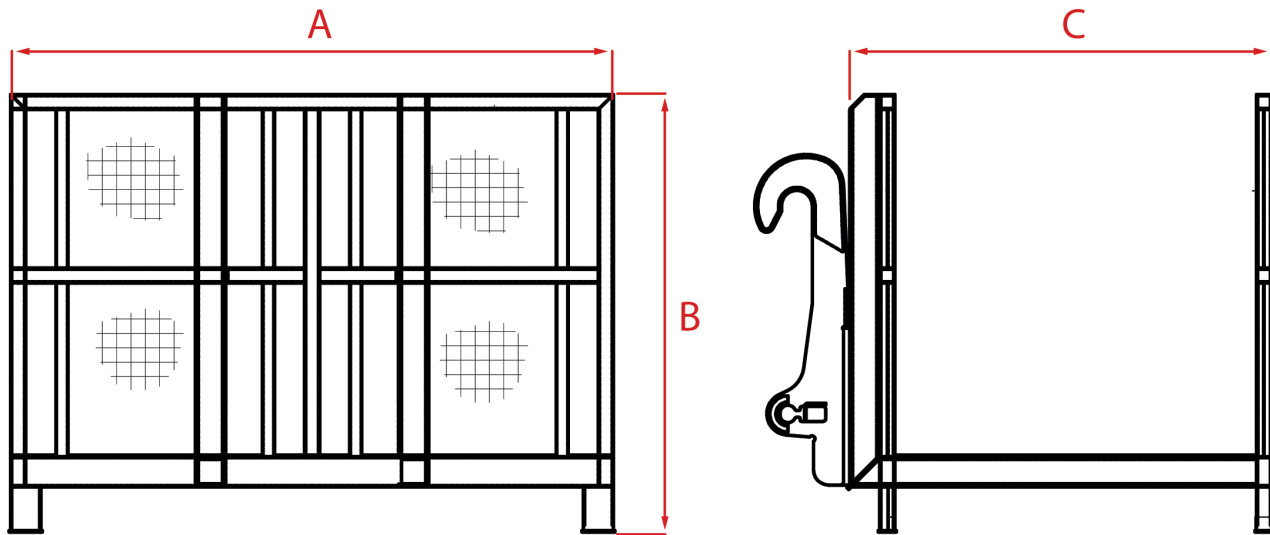
## Special items

### Material basket



This equipment is used to transport inert material at height quickly and safely.

## Technical Data

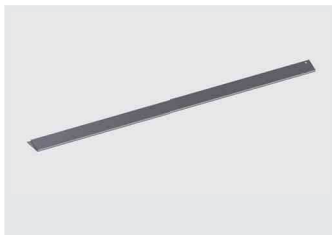


	Code					
BUD6217	TCS0016	2010 mm (79,1 in)	1450 mm (57,1 in)	1620 mm (63,8 in)	1000 kg (2205 lb)	685 kg (1510 lb)
BUD6218	TCS0002	2010 mm (79,1 in)	1450 mm (57,1 in)	1620 mm (63,8 in)	1000 kg (2205 lb)	755 kg (1664 lb)
BUD6280	TCS0045	2010 mm (79,1 in)	1450 mm (57,1 in)	1620 mm (63,8 in)	500 kg (1102 lb)	395 kg (871 lb)
BUD6352	TCS0067;TCS0175	2010 mm (79,1 in)	1450 mm (57,1 in)	1620 mm (63,8 in)	1500 kg (3307 lb)	535 kg (1179 lb)
BUD6525-1	TCS0092;TCS0109;TCS0158	2000 mm (78,7 in)	1450 mm (57,1 in)	1400 mm (55,1 in)	1000 kg (2205 lb)	450 kg (992 lb)
BUD6584	TCS0180	2010 mm (79,1 in)	1450 mm (57,1 in)	1620 mm (63,8 in)	1720 kg (3792 lb)	535 kg (1179 lb)



**Equipment****Bucket****4 in 1 bucket**

This equipment is suitable for loading and unloading operations. Thanks to the hydraulic opening it is suitable to grasp objects (also cylindrical), to dose aggregates unloading and to level the ground.

**Optionals:**

Blade cover

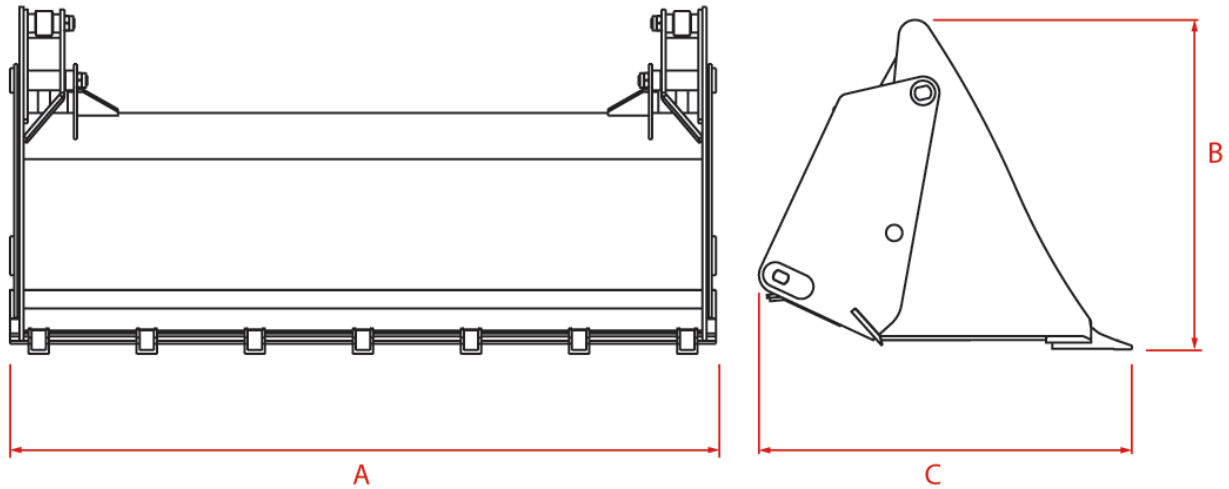


Mobile level indicator



Full rear guard

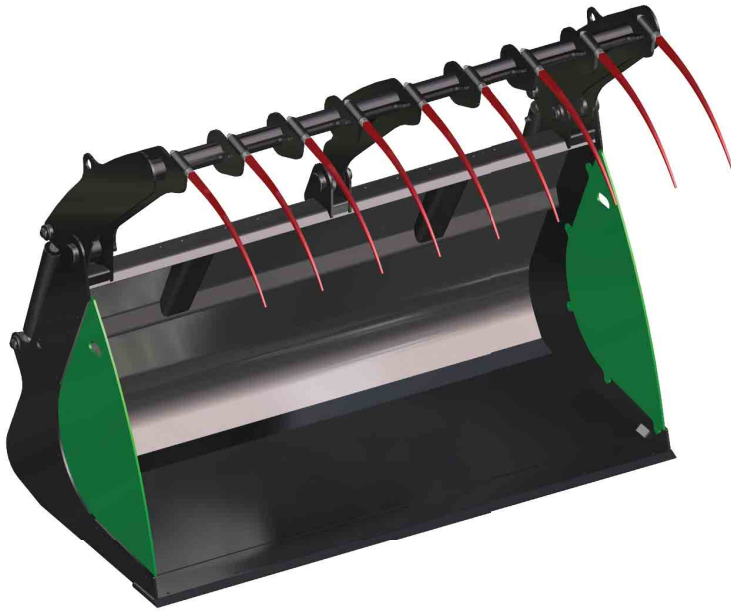
## Technical Data



	Code							
BUB2499	TBN0036	2350 mm (92,5 in)	1037 mm (40,8 in)	1023 mm (40,3 in)	1 m <sup>3</sup> (35 ft <sup>3</sup> )	450 kg/m <sup>3</sup> (28 lb/ft <sup>3</sup> )	-	882 kg (1944 lb)
BUB2669	TBN0215	2450 mm (96,5 in)	1313 mm (51,7 in)	1227 mm (48,3 in)	1,25 m <sup>3</sup> (44 ft <sup>3</sup> )	800 kg/m <sup>3</sup> (50 lb/ft <sup>3</sup> )	8	812 kg (1790 lb)
BUB2669-S	TBN0253	2450 mm (96,5 in)	1313 mm (51,7 in)	1227 mm (48,3 in)	1,25 m <sup>3</sup> (44 ft <sup>3</sup> )	800 kg/m <sup>3</sup> (50 lb/ft <sup>3</sup> )	8	885 kg (1951 lb)
BUB2682	TBN0120	1980 mm (78,0 in)	1100 mm (43,3 in)	945 mm (37,2 in)	0,85 m <sup>3</sup> (30 ft <sup>3</sup> )	800 kg/m <sup>3</sup> (50 lb/ft <sup>3</sup> )	6	420 kg (926 lb)
BUB2682-S	TBN0118	1980 mm (78,0 in)	1100 mm (43,3 in)	945 mm (37,2 in)	0,85 m <sup>3</sup> (30 ft <sup>3</sup> )	800 kg/m <sup>3</sup> (50 lb/ft <sup>3</sup> )	6	453,5 kg (1000 lb)
BUB2683	TBN0119	1980 mm (78,0 in)	1105 mm (43,5 in)	945 mm (37,2 in)	0,85 m <sup>3</sup> (30 ft <sup>3</sup> )	800 kg/m <sup>3</sup> (50 lb/ft <sup>3</sup> )	6	431 kg (950 lb)
BUB2685	TBN0213	2400 mm (94,5 in)	1210 mm (47,6 in)	1024 mm (40,3 in)	1 m <sup>3</sup> (35 ft <sup>3</sup> )	800 kg/m <sup>3</sup> (50 lb/ft <sup>3</sup> )	8	658 kg (1451 lb)
BUB2685-S	TBN0216	2400 mm (94,5 in)	1210 mm (47,6 in)	1024 mm (40,3 in)	1 m <sup>3</sup> (35 ft <sup>3</sup> )	800 kg/m <sup>3</sup> (50 lb/ft <sup>3</sup> )	8	725 kg (1598 lb)
BUB2686	TBN0214	2400 mm (94,5 in)	1210 mm (47,6 in)	1120 mm (44,1 in)	1 m <sup>3</sup> (35 ft <sup>3</sup> )	800 kg/m <sup>3</sup> (50 lb/ft <sup>3</sup> )	8	655 kg (1444 lb)
BUB2686-S	TBN0217	2400 mm (94,5 in)	1210 mm (47,6 in)	1120 mm (44,1 in)	1 m <sup>3</sup> (35 ft <sup>3</sup> )	800 kg/m <sup>3</sup> (50 lb/ft <sup>3</sup> )	8	741 kg (1634 lb)
BUB2721	TBN0134	2400 mm (94,5 in)	1210 mm (47,6 in)	1024 mm (40,3 in)	1 m <sup>3</sup> (35 ft <sup>3</sup> )	800 kg/m <sup>3</sup> (50 lb/ft <sup>3</sup> )	8	658 kg (1451 lb)
BUB2721-S	TBN0135	2400 mm (94,5 in)	1210 mm (47,6 in)	1024 mm (40,3 in)	1 m <sup>3</sup> (35 ft <sup>3</sup> )	800 kg/m <sup>3</sup> (50 lb/ft <sup>3</sup> )	8	725 kg (1598 lb)

BUB2723	TBN0173	1980 mm (78,0 in)	1105 mm (43,5 in)	910 mm (35,8 in)	0,85 m <sup>3</sup> (30 ft <sup>3</sup> )	800 kg/m <sup>3</sup> (50 lb/ft <sup>3</sup> )	6	427 kg (941 lb)
BUB2723-S	TBN0175	1980 mm (78,0 in)	1105 mm (43,5 in)	910 mm (35,8 in)	0,85 m <sup>3</sup> (30 ft <sup>3</sup> )	800 kg/m <sup>3</sup> (50 lb/ft <sup>3</sup> )	6	462,5 kg (1020 lb)
BUB2724	TBN0174	1980 mm (78,0 in)	1105 mm (43,5 in)	995 mm (39,2 in)	0,85 m <sup>3</sup> (30 ft <sup>3</sup> )	800 kg/m <sup>3</sup> (50 lb/ft <sup>3</sup> )	6	430 kg (948 lb)
BUB2724-S	TBN0176	1980 mm (78,0 in)	1105 mm (43,5 in)	995 mm (39,2 in)	0,85 m <sup>3</sup> (30 ft <sup>3</sup> )	800 kg/m <sup>3</sup> (50 lb/ft <sup>3</sup> )	6	469,5 kg (1035 lb)
BUB2740	TBN0133	2400 mm (94,5 in)	1210 mm (47,6 in)	1024 mm (40,3 in)	1 m <sup>3</sup> (35 ft <sup>3</sup> )	800 kg/m <sup>3</sup> (50 lb/ft <sup>3</sup> )	8	680,5 kg (1500 lb)
BUB2759	TBN0239	1980 mm (78,0 in)	1103 mm (43,4 in)	908 mm (35,7 in)	0,85 m <sup>3</sup> (30 ft <sup>3</sup> )	800 kg/m <sup>3</sup> (50 lb/ft <sup>3</sup> )	6	440 kg (970 lb)
BUB2764	TBN0258	1980 mm (78,0 in)	1103 mm (43,4 in)	995 mm (39,2 in)	0,85 m <sup>3</sup> (30 ft <sup>3</sup> )	800 kg/m <sup>3</sup> (50 lb/ft <sup>3</sup> )	6	440 kg (970 lb)
BUB2770	TBN0271	2400 mm (94,5 in)	1210 mm (47,6 in)	1025 mm (40,4 in)	1 m <sup>3</sup> (35 ft <sup>3</sup> )	800 kg/m <sup>3</sup> (50 lb/ft <sup>3</sup> )	-	660 kg (1455 lb)
BUB2770-S	TBN0273	2400 mm (94,5 in)	1210 mm (47,6 in)	1025 mm (40,4 in)	1 m <sup>3</sup> (35 ft <sup>3</sup> )	800 kg/m <sup>3</sup> (50 lb/ft <sup>3</sup> )	-	725 kg (1598 lb)
BUB2771	TBN0272	2400 mm (94,5 in)	1210 mm (47,6 in)	1025 mm (40,4 in)	1 m <sup>3</sup> (35 ft <sup>3</sup> )	800 kg/m <sup>3</sup> (50 lb/ft <sup>3</sup> )	8	680 kg (1499 lb)
BUB2775	TBN0262	2450 mm (96,5 in)	1313 mm (51,7 in)	1227 mm (48,3 in)	1,25 m <sup>3</sup> (44 ft <sup>3</sup> )	800 kg/m <sup>3</sup> (50 lb/ft <sup>3</sup> )	-	815 kg (1797 lb)
BUB2775-S	TBN0264	2450 mm (96,5 in)	1313 mm (51,7 in)	1227 mm (48,3 in)	1,25 m <sup>3</sup> (44 ft <sup>3</sup> )	800 kg/m <sup>3</sup> (50 lb/ft <sup>3</sup> )	-	885 kg (1951 lb)
BUB2776	TBN0263	2450 mm (96,5 in)	1313 mm (51,7 in)	1227 mm (48,3 in)	1,25 m <sup>3</sup> (44 ft <sup>3</sup> )	800 kg/m <sup>3</sup> (50 lb/ft <sup>3</sup> )	8	835 kg (1841 lb)
BUB2780	TBN0280	1980 mm (78,0 in)	1105 mm (43,5 in)	910 mm (35,8 in)	0,85 m <sup>3</sup> (30 ft <sup>3</sup> )	800 kg/m <sup>3</sup> (50 lb/ft <sup>3</sup> )	-	430 kg (948 lb)
BUB2780-S	TBN0282	1980 mm (78,0 in)	1105 mm (43,5 in)	910 mm (35,8 in)	0,85 m <sup>3</sup> (30 ft <sup>3</sup> )	800 kg/m <sup>3</sup> (50 lb/ft <sup>3</sup> )	-	465 kg (1025 lb)
BUB2781	TBN0281	1980 mm (78,0 in)	1105 mm (43,5 in)	910 mm (35,8 in)	0,35 m <sup>3</sup> (12 ft <sup>3</sup> )	800 kg/m <sup>3</sup> (50 lb/ft <sup>3</sup> )	6	440 kg (970 lb)
BUB2785	TBN0291	2400 mm (94,5 in)	1210 mm (47,6 in)	1025 mm (40,4 in)	1,1 m <sup>3</sup> (39 ft <sup>3</sup> )	800 kg/m <sup>3</sup> (50 lb/ft <sup>3</sup> )	6	655 kg (1444 lb)
BUB2785-S	TBN0292	2400 mm (94,5 in)	1210 mm (47,6 in)	1025 mm (40,4 in)	1,1 m <sup>3</sup> (39 ft <sup>3</sup> )	800 kg/m <sup>3</sup> (50 lb/ft <sup>3</sup> )	6	725 kg (1598 lb)
BUB2817	TBN0325	1735 mm (68,3 in)	814 mm (32,0 in)	1040 mm (40,9 in)	0,6 m <sup>3</sup> (21 ft <sup>3</sup> )	800 kg/m <sup>3</sup> (50 lb/ft <sup>3</sup> )	-	384 kg (847 lb)
BUB2822	TBN0344	2430 mm (95,7 in)	1210 mm (47,6 in)	1010 mm (39,8 in)	1 m <sup>3</sup> (35 ft <sup>3</sup> )	800 kg/m <sup>3</sup> (50 lb/ft <sup>3</sup> )	-	670 kg (1477 lb)
BUB2822-S	TBN0345	2430 mm (95,7 in)	1210 mm (47,6 in)	1010 mm (39,8 in)	1 m <sup>3</sup> (35 ft <sup>3</sup> )	800 kg/m <sup>3</sup> (50 lb/ft <sup>3</sup> )	-	670 kg (1477 lb)

## Bucket for fodder with grab



This equipment is intended for loading, unloading and handling bulk fodder.

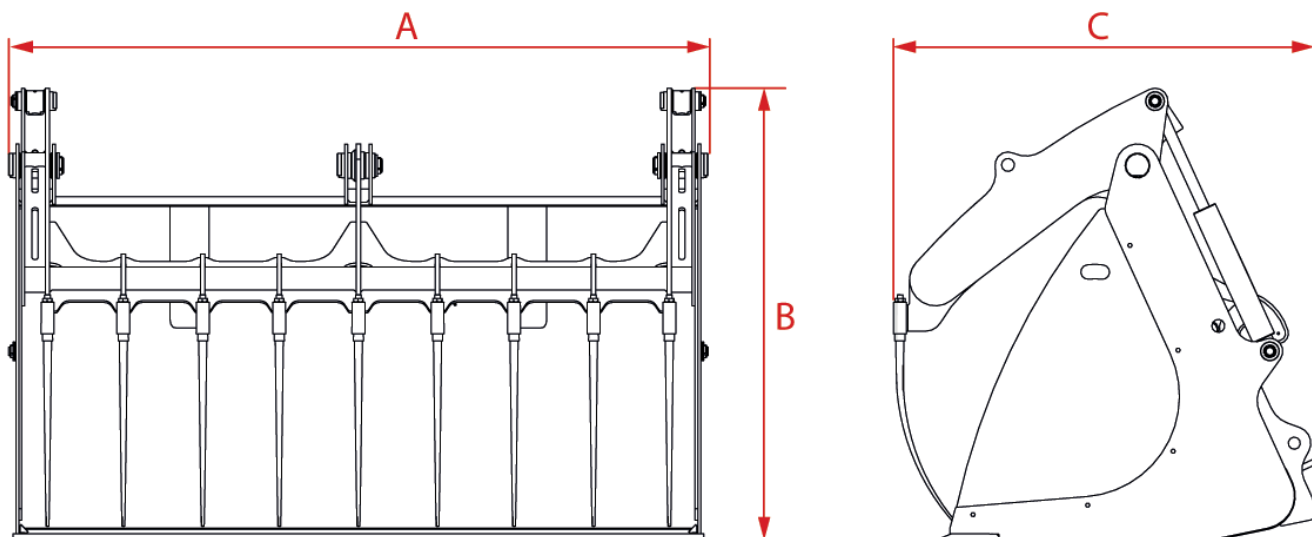
Thanks to the use of the holder, the bucket is used to its full potential, thus providing a greater load capacity, as the material is held in the bucket volumetric load capacity.






### Optionals:

		
<p>Blade cover</p>	<p>Mobile level indicator</p>	<p>Split rear guard</p>

**Technical Data**



	Code	A	B	C			
BUB2727	TBN0246	2400 mm (94,5 in)	1250 mm (49,2 in)	1180 mm (46,5 in)	1,5 m <sup>3</sup> (53 ft <sup>3</sup> )	1000 kg/m <sup>3</sup> (62 lb/ft <sup>3</sup> )	748,5 kg (1650 lb)
BUB2727-S	TBN0247	2400 mm (94,5 in)	1250 mm (49,2 in)	1180 mm (46,5 in)	1,5 m <sup>3</sup> (53 ft <sup>3</sup> )	1000 kg/m <sup>3</sup> (62 lb/ft <sup>3</sup> )	748,5 kg (1650 lb)
BUB2729	TBN0259	2400 mm (94,5 in)	1250 mm (49,2 in)	1170 mm (46,1 in)	1,5 m <sup>3</sup> (53 ft <sup>3</sup> )	1000 kg/m <sup>3</sup> (62 lb/ft <sup>3</sup> )	744 kg (1640 lb)
BUB2729-S	TBN0290	2400 mm (94,5 in)	1250 mm (49,2 in)	1170 mm (46,1 in)	1,5 m <sup>3</sup> (53 ft <sup>3</sup> )	1000 kg/m <sup>3</sup> (62 lb/ft <sup>3</sup> )	814 kg (1795 lb)
BUB2762	TBN0242	1980 mm (78,0 in)	1200 mm (47,2 in)	1105 mm (43,5 in)	1,25 m <sup>3</sup> (44 ft <sup>3</sup> )	1000 kg/m <sup>3</sup> (62 lb/ft <sup>3</sup> )	580 kg (1279 lb)
BUB2762-S	TBN0243	1980 mm (78,0 in)	1200 mm (47,2 in)	1105 mm (43,5 in)	1,25 m <sup>3</sup> (44 ft <sup>3</sup> )	1000 kg/m <sup>3</sup> (62 lb/ft <sup>3</sup> )	580 kg (1279 lb)
BUB2765	TBN0254	2450 mm (96,5 in)	1400 mm (55,1 in)	1480 mm (58,3 in)	2,5 m <sup>3</sup> (88 ft <sup>3</sup> )	1000 kg/m <sup>3</sup> (62 lb/ft <sup>3</sup> )	660 kg (1455 lb)
BUB2765-S	TBN0255	2450 mm (96,5 in)	1400 mm (55,1 in)	1480 mm (58,3 in)	2,5 m <sup>3</sup> (88 ft <sup>3</sup> )	1000 kg/m <sup>3</sup> (62 lb/ft <sup>3</sup> )	660 kg (1455 lb)
BUB2774	TBN0278	2400 mm (94,5 in)	1250 mm (49,2 in)	1075 mm (42,3 in)	1,5 m <sup>3</sup> (53 ft <sup>3</sup> )	1000 kg/m <sup>3</sup> (62 lb/ft <sup>3</sup> )	750 kg (1653 lb)
BUB2774-S	TBN0279	2400 mm (94,5 in)	1250 mm (49,2 in)	1075 mm (42,3 in)	1,5 m <sup>3</sup> (53 ft <sup>3</sup> )	1000 kg/m <sup>3</sup> (62 lb/ft <sup>3</sup> )	750 kg (1653 lb)
BUB2779	TBN0269	2450 mm (96,5 in)	1569 mm (61,8 in)	1478 mm (58,2 in)	2,5 m <sup>3</sup> (88 ft <sup>3</sup> )	1000 kg/m <sup>3</sup> (62 lb/ft <sup>3</sup> )	1055 kg (2326 lb)
BUB2779-S	TBN0270	2450 mm (96,5 in)	1569 mm (61,8 in)	1478 mm (58,2 in)	2,5 m <sup>3</sup> (88 ft <sup>3</sup> )	1000 kg/m <sup>3</sup> (62 lb/ft <sup>3</sup> )	1125 kg (2480 lb)

BUB2784	TBN0287	1980 mm (78,0 in)	1200 mm (47,2 in)	1105 mm (43,5 in)	1,25 m <sup>3</sup> (44 ft <sup>3</sup> )	1000 kg/m <sup>3</sup> (62 lb/ft <sup>3</sup> )	580 kg (1279 lb)
BUB2784-S	TBN0288	1980 mm (78,0 in)	1200 mm (47,2 in)	1105 mm (43,5 in)	1,25 m <sup>3</sup> (44 ft <sup>3</sup> )	1000 kg/m <sup>3</sup> (62 lb/ft <sup>3</sup> )	580 kg (1279 lb)
BUB2788	TBN0297	2400 mm (94,5 in)	1253 mm (49,3 in)	1170 mm (46,1 in)	1,5 m <sup>3</sup> (53 ft <sup>3</sup> )	800 kg/m <sup>3</sup> (50 lb/ft <sup>3</sup> )	745 kg (1642 lb)
BUB2788-S	TBN0298	2400 mm (94,5 in)	1253 mm (49,3 in)	1170 mm (46,1 in)	1,5 m <sup>3</sup> (53 ft <sup>3</sup> )	1000 kg/m <sup>3</sup> (62 lb/ft <sup>3</sup> )	745 kg (1642 lb)

## Bucket for silage with grab

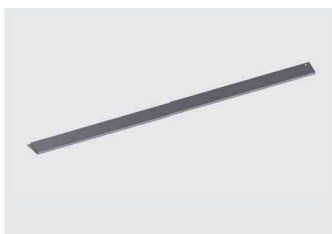


This equipment is intended for loading, unloading and handling bulk materials, such as silage, grains and chips.

Thanks to the use of the holder, the bucket is used to its full potential, thus providing a greater load capacity, as the material is held in the bucket volumetric load capacity.



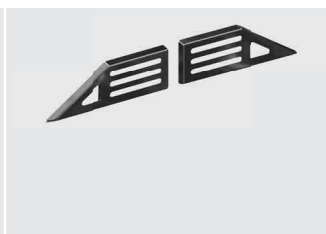
### Optionals:



Blade cover

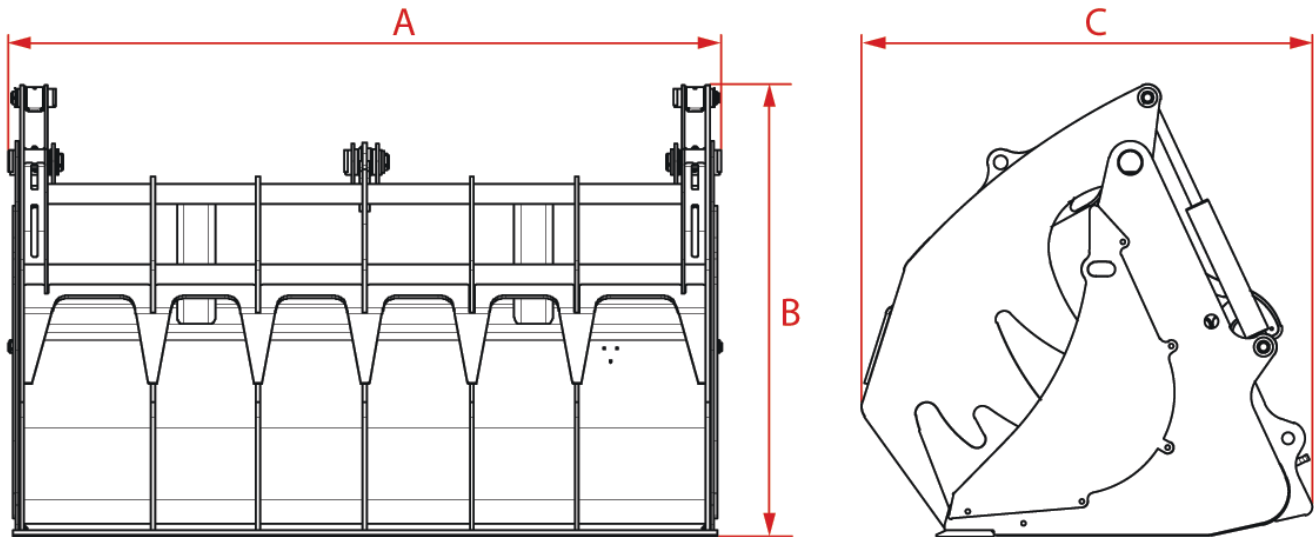


Mobile level indicator



Split rear guard

## Technical Data



	Code	A	B	C			
BUB2667	TBN0226	2450 mm (96,5 in)	1570 mm (61,8 in)	1570 mm (61,8 in)	2,5 m <sup>3</sup> (88 ft <sup>3</sup> )	800 kg/m <sup>3</sup> (50 lb/ft <sup>3</sup> )	1200,5 kg (2647 lb)
BUB2667-S	TBN0229	2450 mm (96,5 in)	1570 mm (61,8 in)	1570 mm (61,8 in)	2,5 m <sup>3</sup> (88 ft <sup>3</sup> )	800 kg/m <sup>3</sup> (50 lb/ft <sup>3</sup> )	1269 kg (2798 lb)
BUB2736	TBN0224	2400 mm (94,5 in)	1260 mm (49,6 in)	1000 mm (39,4 in)	1,5 m <sup>3</sup> (53 ft <sup>3</sup> )	800 kg/m <sup>3</sup> (50 lb/ft <sup>3</sup> )	836,5 kg (1844 lb)
BUB2736-S	TBN0227	2400 mm (94,5 in)	1260 mm (49,6 in)	1000 mm (39,4 in)	1,5 m <sup>3</sup> (53 ft <sup>3</sup> )	800 kg/m <sup>3</sup> (50 lb/ft <sup>3</sup> )	903,5 kg (1992 lb)
BUB2738	TBN0225	2400 mm (94,5 in)	1260 mm (49,6 in)	1060 mm (41,7 in)	1,5 m <sup>3</sup> (53 ft <sup>3</sup> )	800 kg/m <sup>3</sup> (50 lb/ft <sup>3</sup> )	832 kg (1834 lb)
BUB2738-S	TBN0228	2400 mm (94,5 in)	1260 mm (49,6 in)	1060 mm (41,7 in)	1,5 m <sup>3</sup> (53 ft <sup>3</sup> )	800 kg/m <sup>3</sup> (50 lb/ft <sup>3</sup> )	899 kg (1982 lb)
BUB2760	TBN0240	1980 mm (78,0 in)	1210 mm (47,6 in)	1200 mm (47,2 in)	1,25 m <sup>3</sup> (44 ft <sup>3</sup> )	800 kg/m <sup>3</sup> (50 lb/ft <sup>3</sup> )	620 kg (1367 lb)
BUB2760-S	TBN0241	1980 mm (78,0 in)	1210 mm (47,6 in)	1200 mm (47,2 in)	1,25 m <sup>3</sup> (44 ft <sup>3</sup> )	800 kg/m <sup>3</sup> (50 lb/ft <sup>3</sup> )	620 kg (1367 lb)
BUB2773	TBN0276	2435 mm (95,9 in)	1253 mm (49,3 in)	1248 mm (49,1 in)	1,5 m <sup>3</sup> (53 ft <sup>3</sup> )	800 kg/m <sup>3</sup> (50 lb/ft <sup>3</sup> )	835 kg (1841 lb)
BUB2773-S	TBN0277	2435 mm (95,9 in)	1253 mm (49,3 in)	1248 mm (49,1 in)	1,5 m <sup>3</sup> (53 ft <sup>3</sup> )	800 kg/m <sup>3</sup> (50 lb/ft <sup>3</sup> )	835 kg (1841 lb)
BUB2778	TBN0267	2480 mm (97,6 in)	1570 mm (61,8 in)	1570 mm (61,8 in)	2,5 m <sup>3</sup> (88 ft <sup>3</sup> )	800 kg/m <sup>3</sup> (50 lb/ft <sup>3</sup> )	1200 kg (2646 lb)
BUB2778-S	TBN0268	2480 mm (97,6 in)	1570 mm (61,8 in)	1570 mm (61,8 in)	2,5 m <sup>3</sup> (88 ft <sup>3</sup> )	800 kg/m <sup>3</sup> (50 lb/ft <sup>3</sup> )	1270 kg (2800 lb)



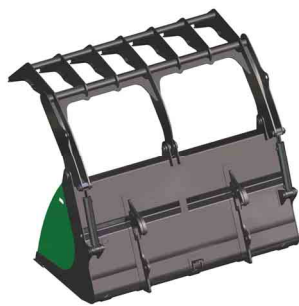
BUB2783	TBN0285	1980 mm (78,0 in)	1210 mm (47,6 in)	1200 mm (47,2 in)	1,25 m <sup>3</sup> (44 ft <sup>3</sup> )	800 kg/m <sup>3</sup> (50 lb/ft <sup>3</sup> )	620 kg (1367 lb)
BUB2783-S	TBN0286	1980 mm (78,0 in)	1210 mm (47,6 in)	1200 mm (47,2 in)	1,25 m <sup>3</sup> (44 ft <sup>3</sup> )	800 kg/m <sup>3</sup> (50 lb/ft <sup>3</sup> )	620 kg (1367 lb)
BUB2787	TBN0295	2430 mm (95,7 in)	1254 mm (49,4 in)	1228 mm (48,3 in)	1,5 m <sup>3</sup> (53 ft <sup>3</sup> )	800 kg/m <sup>3</sup> (50 lb/ft <sup>3</sup> )	835 kg (1841 lb)
BUB2787-S	TBN0296	2430 mm (95,7 in)	1254 mm (49,4 in)	1228 mm (48,3 in)	1,5 m <sup>3</sup> (53 ft <sup>3</sup> )	800 kg/m <sup>3</sup> (50 lb/ft <sup>3</sup> )	905 kg (1995 lb)

## Bucket for manure and generic material with grab



This equipment is intended for loading, unloading and handling bulk materials, such as manure, non-hazardous waste in a compactable form and timber.

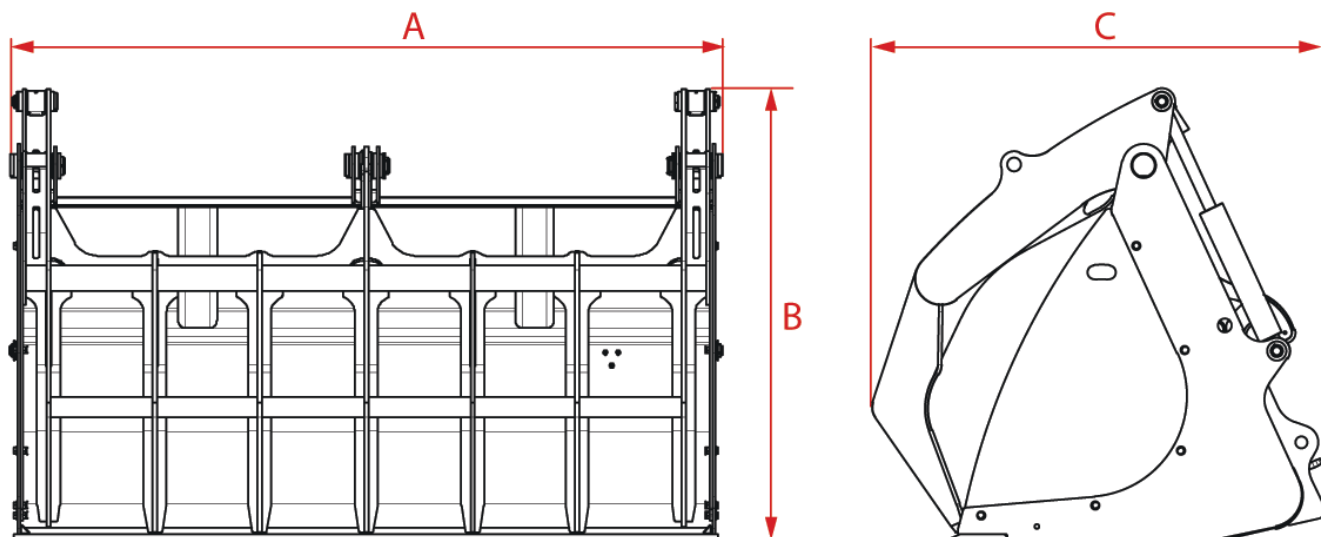
Thanks to the use of the holder the bucket is used at its full potential, thus providing a greater load capacity, as the material can be compressed and held in the bucket volumetric load capacity.






### Optionals:



**Technical Data**



	Code	A	B	C			
BUB2666	TBN0220	2450 mm (96,5 in)	1600 mm (63,0 in)	1780 mm (70,1 in)	2,5 m <sup>3</sup> (88 ft <sup>3</sup> )	800 kg/m <sup>3</sup> (50 lb/ft <sup>3</sup> )	1169,5 kg (2578 lb)
BUB2666-S	TBN0223	2450 mm (96,5 in)	1600 mm (63,0 in)	1780 mm (70,1 in)	2,5 m <sup>3</sup> (88 ft <sup>3</sup> )	800 kg/m <sup>3</sup> (50 lb/ft <sup>3</sup> )	1237,5 kg (2728 lb)
BUB2672	TBN0126	1980 mm (78,0 in)	1200 mm (47,2 in)	1270 mm (50,0 in)	1,25 m <sup>3</sup> (44 ft <sup>3</sup> )	800 kg/m <sup>3</sup> (50 lb/ft <sup>3</sup> )	571 kg (1259 lb)
BUB2672-S	TBN0113	1980 mm (78,0 in)	1200 mm (47,2 in)	1270 mm (50,0 in)	1,25 m <sup>3</sup> (44 ft <sup>3</sup> )	800 kg/m <sup>3</sup> (50 lb/ft <sup>3</sup> )	604,5 kg (1333 lb)
BUB2687	TBN0218	2400 mm (94,5 in)	1260 mm (49,6 in)	1255 mm (49,4 in)	1,5 m <sup>3</sup> (53 ft <sup>3</sup> )	800 kg/m <sup>3</sup> (50 lb/ft <sup>3</sup> )	811 kg (1788 lb)
BUB2687-S	TBN0221	2400 mm (94,5 in)	1260 mm (49,6 in)	1255 mm (49,4 in)	1,5 m <sup>3</sup> (53 ft <sup>3</sup> )	800 kg/m <sup>3</sup> (50 lb/ft <sup>3</sup> )	878 kg (1936 lb)
BUB2688	TBN0219	2400 mm (94,5 in)	1250 mm (49,2 in)	1245 mm (49,0 in)	1,5 m <sup>3</sup> (53 ft <sup>3</sup> )	800 kg/m <sup>3</sup> (50 lb/ft <sup>3</sup> )	811 kg (1788 lb)
BUB2688-S	TBN0222	2400 mm (94,5 in)	1250 mm (49,2 in)	1245 mm (49,0 in)	1,5 m <sup>3</sup> (53 ft <sup>3</sup> )	800 kg/m <sup>3</sup> (50 lb/ft <sup>3</sup> )	878 kg (1936 lb)
BUB2722	TBN0137	2400 mm (94,5 in)	1255 mm (49,4 in)	1255 mm (49,4 in)	1,5 m <sup>3</sup> (53 ft <sup>3</sup> )	800 kg/m <sup>3</sup> (50 lb/ft <sup>3</sup> )	811 kg (1788 lb)
BUB2722-S	TBN0138	2400 mm (94,5 in)	1255 mm (49,4 in)	1255 mm (49,4 in)	1,5 m <sup>3</sup> (53 ft <sup>3</sup> )	800 kg/m <sup>3</sup> (50 lb/ft <sup>3</sup> )	878 kg (1936 lb)
BUB2725	TBN0177	1980 mm (78,0 in)	1205 mm (47,4 in)	1235 mm (48,6 in)	1,25 m <sup>3</sup> (44 ft <sup>3</sup> )	800 kg/m <sup>3</sup> (50 lb/ft <sup>3</sup> )	582 kg (1283 lb)
BUB2725-S	TBN0179	1980 mm (78,0 in)	1205 mm (47,4 in)	1235 mm (48,6 in)	1,25 m <sup>3</sup> (44 ft <sup>3</sup> )	800 kg/m <sup>3</sup> (50 lb/ft <sup>3</sup> )	617,5 kg (1361 lb)

BUB2726	TBN0178	1980 mm (78,0 in)	1205 mm (47,4 in)	1320 mm (52,0 in)	1,25 m <sup>3</sup> (44 ft <sup>3</sup> )	800 kg/m <sup>3</sup> (50 lb/ft <sup>3</sup> )	582 kg (1283 lb)
BUB2726-S	TBN0180	1980 mm (78,0 in)	1205 mm (47,4 in)	1320 mm (52,0 in)	1,25 m <sup>3</sup> (44 ft <sup>3</sup> )	800 kg/m <sup>3</sup> (50 lb/ft <sup>3</sup> )	617,5 kg (1361 lb)
BUB2772	TBN0274	2400 mm (94,5 in)	1253 mm (49,3 in)	1240 mm (48,8 in)	1,5 m <sup>3</sup> (53 ft <sup>3</sup> )	800 kg/m <sup>3</sup> (50 lb/ft <sup>3</sup> )	810 kg (1786 lb)
BUB2772-S	TBN0275	2400 mm (94,5 in)	1253 mm (49,3 in)	1240 mm (48,8 in)	1,5 m <sup>3</sup> (53 ft <sup>3</sup> )	800 kg/m <sup>3</sup> (50 lb/ft <sup>3</sup> )	880 kg (1940 lb)
BUB2777	TBN0265	2450 mm (96,5 in)	1569 mm (61,8 in)	1568 mm (61,7 in)	2,5 m <sup>3</sup> (88 ft <sup>3</sup> )	800 kg/m <sup>3</sup> (50 lb/ft <sup>3</sup> )	1170 kg (2579 lb)
BUB2777-S	TBN0266	2450 mm (96,5 in)	1569 mm (61,8 in)	1568 mm (61,7 in)	2,5 m <sup>3</sup> (88 ft <sup>3</sup> )	800 kg/m <sup>3</sup> (50 lb/ft <sup>3</sup> )	1240 kg (2734 lb)
BUB2782	TBN0283	1980 mm (78,0 in)	1203 mm (47,4 in)	1249 mm (49,2 in)	1,25 m <sup>3</sup> (44 ft <sup>3</sup> )	800 kg/m <sup>3</sup> (50 lb/ft <sup>3</sup> )	585 kg (1290 lb)
BUB2782-S	TBN0284	1980 mm (78,0 in)	1202 mm (47,3 in)	1249 mm (49,2 in)	1,25 m <sup>3</sup> (44 ft <sup>3</sup> )	800 kg/m <sup>3</sup> (50 lb/ft <sup>3</sup> )	620,5 kg (1368 lb)
BUB2786	TBN0293	2400 mm (94,5 in)	1252 mm (49,3 in)	1245 mm (49,0 in)	1,5 m <sup>3</sup> (53 ft <sup>3</sup> )	800 kg/m <sup>3</sup> (50 lb/ft <sup>3</sup> )	810 kg (1786 lb)
BUB2786-S	TBN0294	2400 mm (94,5 in)	1252 mm (49,3 in)	1245 mm (49,0 in)	1,5 m <sup>3</sup> (53 ft <sup>3</sup> )	800 kg/m <sup>3</sup> (50 lb/ft <sup>3</sup> )	877 kg (1933 lb)
BUB2815	TBN0331	1700 mm (66,9 in)	1076 mm (42,4 in)	1126 mm (44,3 in)	1 m <sup>3</sup> (35 ft <sup>3</sup> )	800 kg/m <sup>3</sup> (50 lb/ft <sup>3</sup> )	551 kg (1215 lb)
BUB2816	TBN0332	1700 mm (66,9 in)	1096 mm (43,1 in)	1126 mm (44,3 in)	1 m <sup>3</sup> (35 ft <sup>3</sup> )	800 kg/m <sup>3</sup> (50 lb/ft <sup>3</sup> )	599 kg (1321 lb)

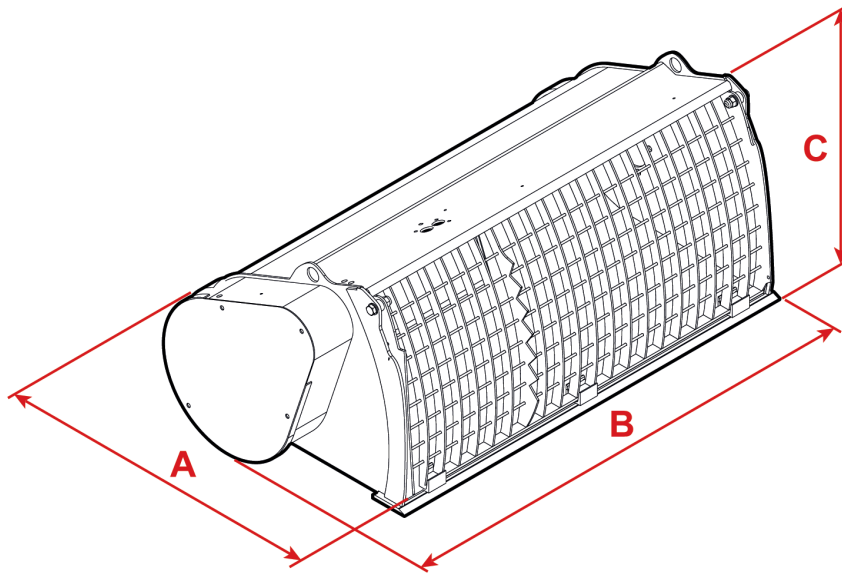
## Mixing bucket



The mixing bucket is the ideal device to produce fresh cement in any condition with unparalleled ease and speed. In addition to the significant reduction in operating costs, using this equipment is essential in many cases, for example when there is no electric current available for using classic concrete mixer.



## Technical Data



	Code	A	B	C		
BUD3040	TBN0051	1700 mm (66,9 in)	720 mm (28,3 in)	820 mm (32,3 in)	500 L (132,09 gal)	680 kg (1499 lb)
BUD3058	TBN0077	1700 mm (66,9 in)	630 mm (24,8 in)	750 mm (29,5 in)	350 L (92,46 gal)	447 kg (985 lb)
BUD3060	TBN0034	1700 mm (66,9 in)	630 mm (24,8 in)	750 mm (29,5 in)	350 L (92,46 gal)	440 kg (970 lb)
BUD3063	TBN0035	1700 mm (66,9 in)	720 mm (28,3 in)	820 mm (32,3 in)	500 L (132,09 gal)	680 kg (1499 lb)
BUD3066	TBN0066	1760 mm (69,3 in)	720 mm (28,3 in)	820 mm (32,3 in)	600 L (158,50 gal)	700 kg (1543 lb)
BUD3067	TBN0299	1760 mm (69,3 in)	720 mm (28,3 in)	820 mm (32,3 in)	600 L (158,50 gal)	700 kg (1543 lb)
BUD3068	TBN0340	1816 mm (71,5 in)	940 mm (37,0 in)	970 mm (38,2 in)	768 L (202,88 gal)	418 kg (922 lb)
BUD3072	TBN0303;TBN0312	1700 mm (66,9 in)	630 mm (24,8 in)	750 mm (29,5 in)	350 L (92,46 gal)	440 kg (970 lb)
BUD3073	TBN0313	1700 mm (66,9 in)	720 mm (28,3 in)	820 mm (32,3 in)	500 L (132,09 gal)	680 kg (1499 lb)
BUD3078	TBN0304;TBN0318	1700 mm (66,9 in)	630 mm (24,8 in)	750 mm (29,5 in)	350 L (92,46 gal)	440 kg (970 lb)
BUD3079	TBN0305;TBN0319	1700 mm (66,9 in)	720 mm (28,3 in)	820 mm (32,3 in)	500 L (132,09 gal)	680 kg (1499 lb)
BUD3084	TBN0061	1760 mm (69,3 in)	582 mm (22,9 in)	1050 mm (41,3 in)	-	590 kg (1301 lb)

BUD3085	TBN0359	1700 mm (66,9 in)	850 mm (33,5 in)	1050 mm (41,3 in)	-	420 kg (926 lb)
---------	---------	----------------------	---------------------	----------------------	---	-----------------

## Ladle



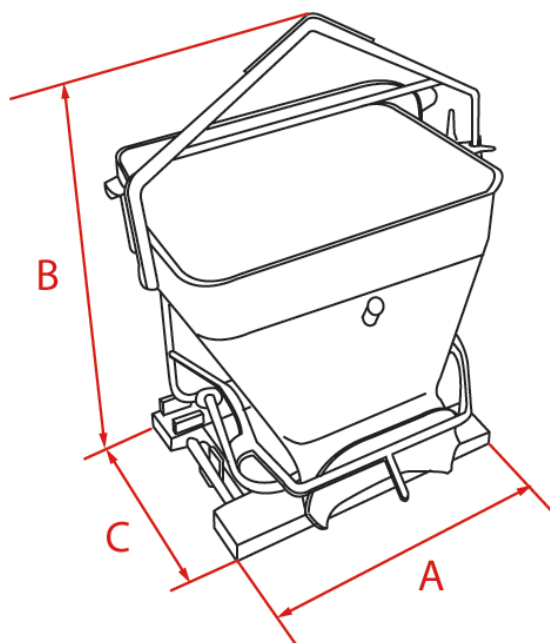
This equipment is ideal for loading and transporting concrete, or for cleaning and emptying facilities from construction waste.

Equipped with hydraulic opening that can be operated from the cab.





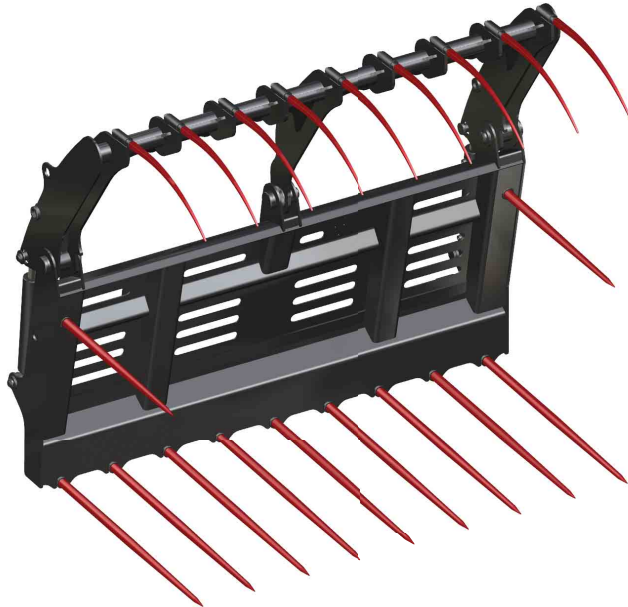
**Technical Data**



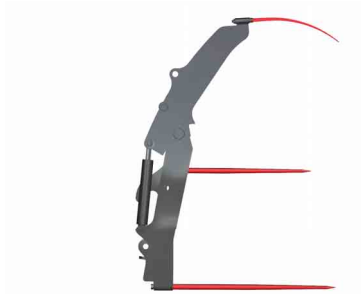
	Code	<b>A</b> 	<b>B</b> 	<b>C</b> 		
BUD3021	TGN0015	1200 mm (47,2 in)	1260 mm (49,6 in)	1400 mm (55,1 in)	600 L (158,50 gal)	228 kg (503 lb)
BUD3069	TGN0292	1160 mm (45,7 in)	1690 mm (66,5 in)	1400 mm (55,1 in)	400 L (105,67 gal)	179 kg (395 lb)
BUD3074	TGN0109;TGN0293;TGN0294	1200 mm (47,2 in)	1460 mm (57,5 in)	1400 mm (55,1 in)	400 L (105,67 gal)	240 kg (529 lb)

## Forks

### Multipurpose fork with holder



This equipment is ideal for use in handling very dense semi-solid material such as manure, peat, wet wood chips and more. The reduced distance between the teeth almost completely eliminates the outflow of the material. The holder has a double function, on the one hand it facilitates the detachment of the material from the pile and on the other, once tightened, it holds it firmly to the fork.

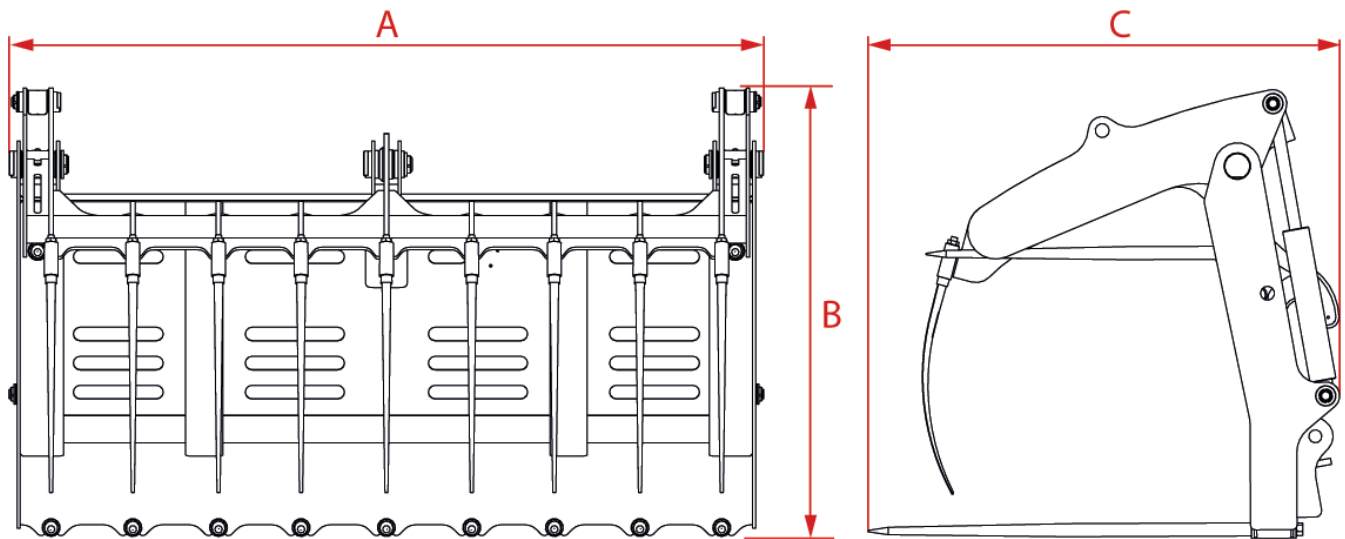







#### Optionals:



Split rear guard

**Technical Data**



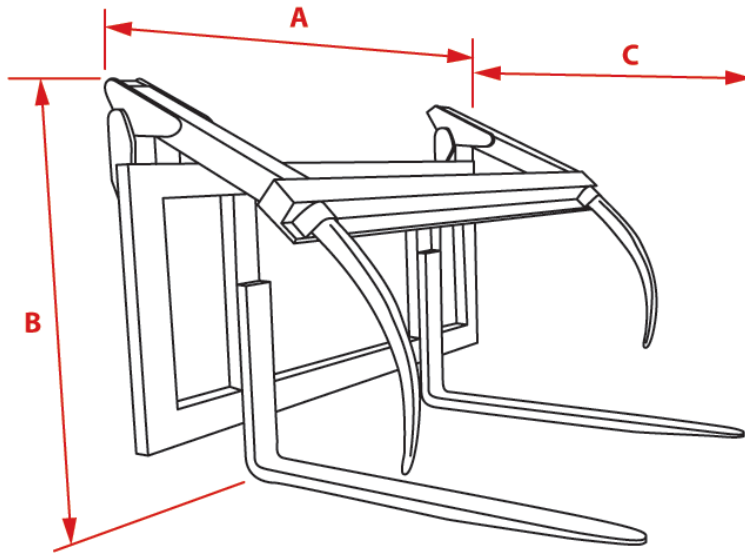
	Code					
BUD1028	TGN0013	2420 mm (95,3 in)	1100 mm (43,3 in)	970 mm (38,2 in)	850 kg (1874 lb)	450 kg (992 lb)
BUD1031	TGN0010	2420 mm (95,3 in)	1100 mm (43,3 in)	960 mm (37,8 in)	850 kg (1874 lb)	370 kg (816 lb)
BUD1070	TGN0037	2420 mm (95,3 in)	1100 mm (43,3 in)	950 mm (37,4 in)	850 kg (1874 lb)	350 kg (772 lb)
BUD1073	TGN0021	2420 mm (95,3 in)	1100 mm (43,3 in)	970 mm (38,2 in)	850 kg (1874 lb)	450 kg (992 lb)
BUD1169	TGN0055	1820 mm (71,7 in)	850 mm (33,5 in)	1100 mm (43,3 in)	850 kg (1874 lb)	360 kg (794 lb)
BUD1194	TGN0025	2030 mm (79,9 in)	1100 mm (43,3 in)	1020 mm (40,2 in)	850 kg (1874 lb)	365 kg (805 lb)
BUD1253	TGN0091	2416 mm (95,1 in)	1060 mm (41,7 in)	1075 mm (42,3 in)	850 kg (1874 lb)	464 kg (1023 lb)
BUD1262	TGN0106	2030 mm (79,9 in)	1100 mm (43,3 in)	1020 mm (40,2 in)	850 kg (1874 lb)	365 kg (805 lb)
BUD1277	TGN0115	1700 mm (66,9 in)	1138 mm (44,8 in)	1098 mm (43,2 in)	850 kg (1874 lb)	470 kg (1036 lb)
BUD1279	TGN0086	2016 mm (79,4 in)	1010 mm (39,8 in)	1019 mm (40,1 in)	850 kg (1874 lb)	359 kg (791 lb)
BUD4586	TGN0096	2020 mm (79,5 in)	1100 mm (43,3 in)	1020 mm (40,2 in)	850 kg (1874 lb)	360 kg (794 lb)


## Fork for logs



Equipment suitable for feeding forest separation plants, in industrial sawmills and for handling and storing wood and log stacks. Equipped with a hydraulically operated closing grid, it is also effective for unloading timber from trailers and for sorting whole logs.

**Technical Data**



	Code	<b>A</b>	<b>B</b>	<b>C</b>	
BUD1033	TGN0009;TGN008 5	1800 mm (70,9 in)	1127 mm (44,4 in)	1402 mm (55,2 in)	550 kg (1213 lb)
BUD1168	TGN0020	1800 mm (70,9 in)	1127 mm (44,4 in)	1402 mm (55,2 in)	550 kg (1213 lb)
BUD1252	TGN0090	1800 mm (70,9 in)	1127 mm (44,4 in)	1402 mm (55,2 in)	550 kg (1213 lb)
BUD4585	TGN0094	1800 mm (70,9 in)	1127 mm (44,4 in)	1402 mm (55,2 in)	550 kg (1213 lb)

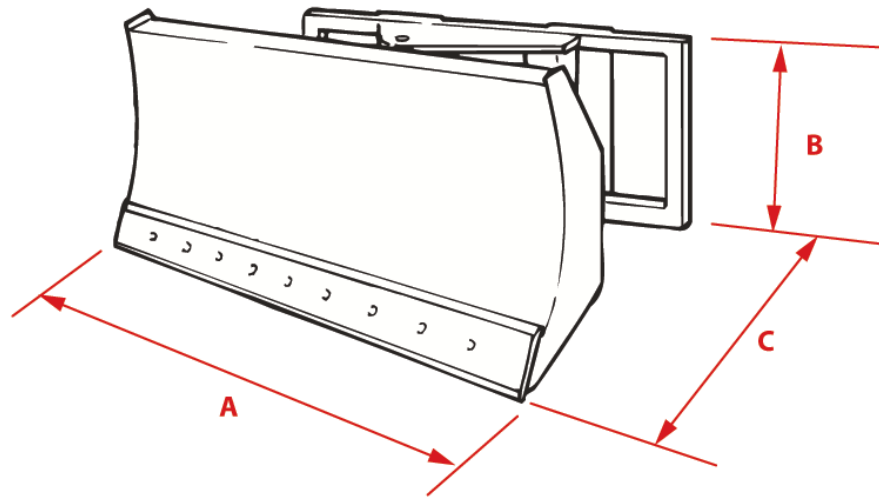
## Blades


### Angledozer blade



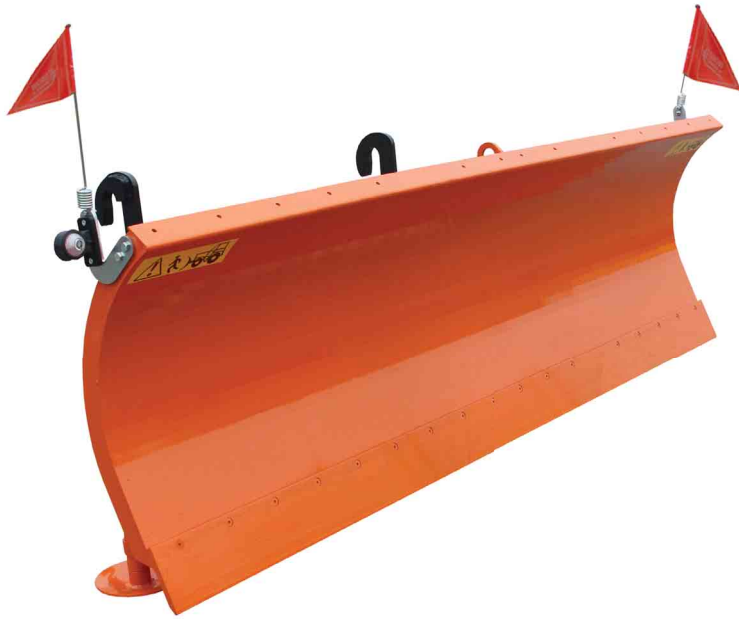
Blade suitable for excavation, spreading and leveling of soil with double-acting hydraulic cylinders for left and right angles.

**Technical Data**



	Code	<b>A</b>	<b>B</b>	<b>C</b>	
BUD1176	TGN0039	2100 mm (82,7 in)	660 mm (26,0 in)	611 mm (24,1 in)	213 kg (470 lb)
BUD1195	TGN0026	2400 mm (94,5 in)	660 mm (26,0 in)	611 mm (24,1 in)	315 kg (694 lb)
BUD1257	TGN0100	2400 mm (94,5 in)	660 mm (26,0 in)	611 mm (24,1 in)	315 kg (694 lb)

## Snow plough

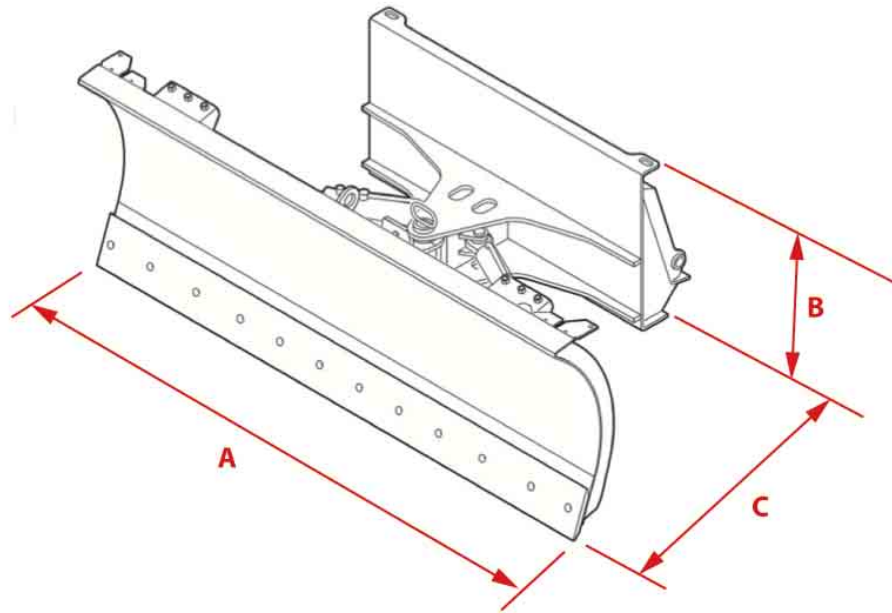






Snow plough with shock-proof tipping system with spring return, horizontal self leveling and left-right rotation.



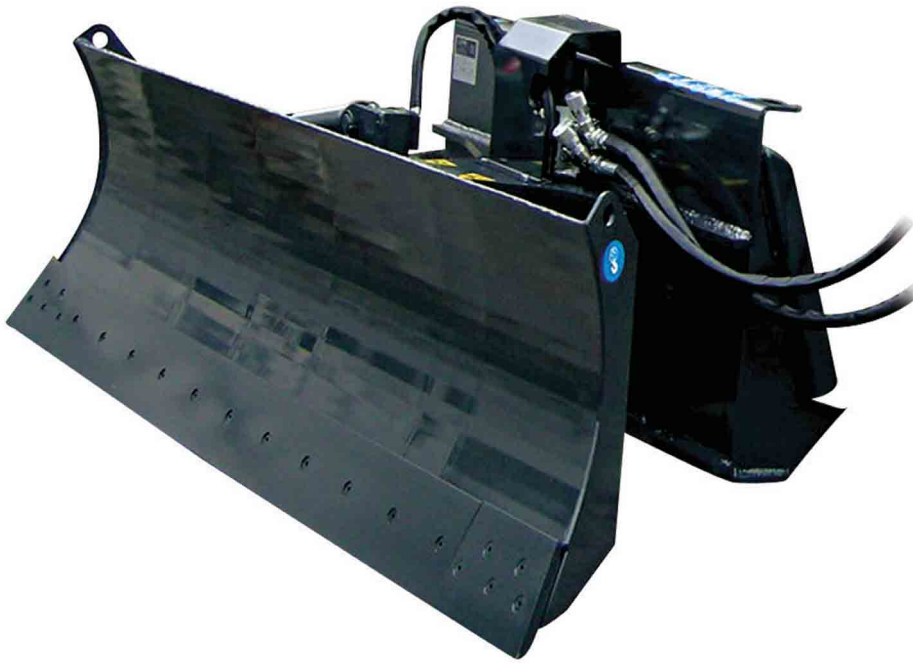


**Technical Data**



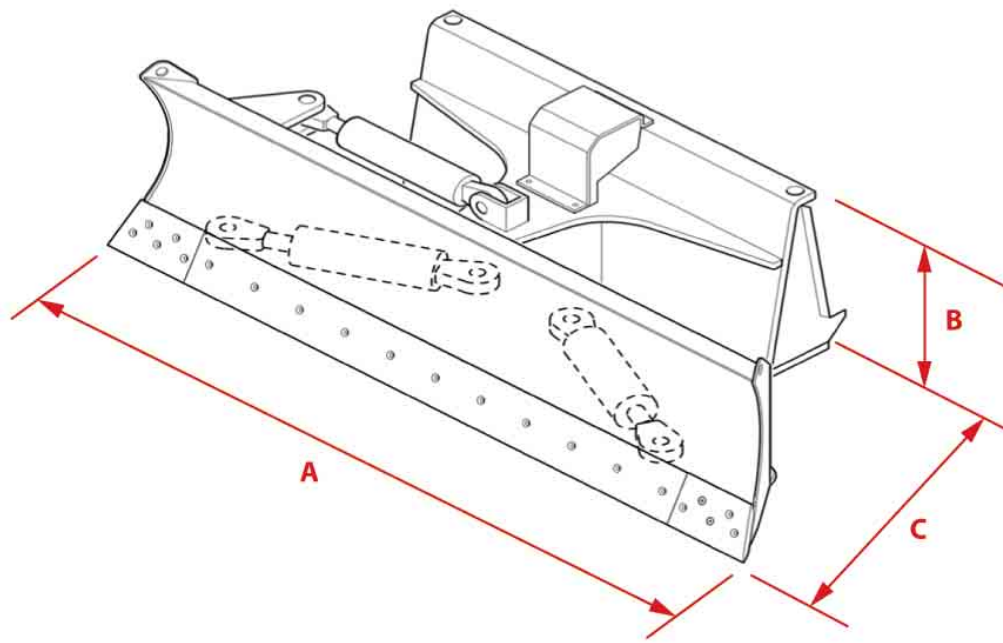
	Code				
BUD1180	TGN0040	2100 mm (82,7 in)	820 mm (32,3 in)	1130 mm (44,5 in)	480 kg (1058 lb)
BUD1254	TGN0097	2700 mm (106,3 in)	800 mm (31,5 in)	900 mm (35,4 in)	450 kg (992 lb)
BUD1269	TGN0011	2400 mm (94,5 in)	862 mm (33,9 in)	1147 mm (45,2 in)	545 kg (1202 lb)
BUD1283	TGN0299	2700 mm (106,3 in)	862 mm (33,9 in)	1147 mm (45,2 in)	580 kg (1279 lb)
BUD1291	TGN0087	3060 mm (120,5 in)	1000 mm (39,4 in)	1271 mm (50,0 in)	560 kg (1235 lb)
BUD4084	TGN0051	2400 mm (94,5 in)	900 mm (35,4 in)	1400 mm (55,1 in)	430 kg (948 lb)
BUD4093	TGN0032	2700 mm (106,3 in)	900 mm (35,4 in)	1400 mm (55,1 in)	480 kg (1058 lb)
BUD4104	TGN0099	270 mm (10,6 in)	900 mm (35,4 in)	1400 mm (55,1 in)	480 kg (1058 lb)


## Tiltadozer blade



This blade is used to level the ground with absolute accuracy ensuring maximum productivity even in small spaces with double-acting cylinders for oscillation (TILT) and left-right hydraulic angle.

**Technical Data**



	Code	<b>A</b>	<b>B</b>	<b>C</b>	
BUD1178	TGN0038	2400 mm (94,5 in)	540 mm (21,3 in)	820 mm (32,3 in)	420 kg (926 lb)
BUD1197	TGN0028	2400 mm (94,5 in)	540 mm (21,3 in)	820 mm (32,3 in)	420 kg (926 lb)
BUD1258	TGN0101	2400 mm (94,5 in)	540 mm (21,3 in)	820 mm (32,3 in)	420 kg (926 lb)

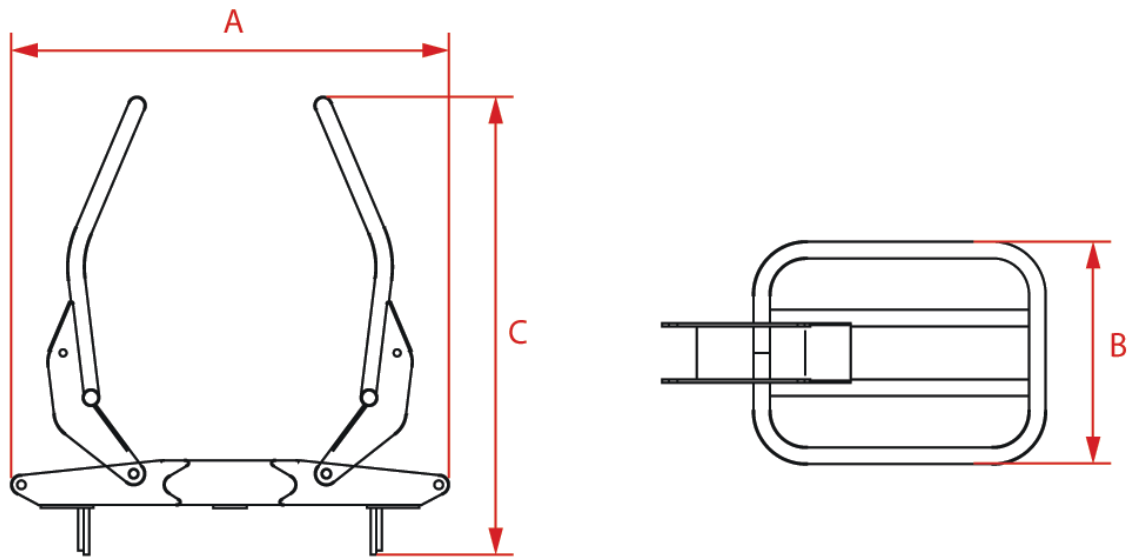
## Grippers


### Clamp for big wrapped bales



This clamp is designed to handle wrapped hay bales, the smooth and rounded tubular structure avoids damage to the protective film.

**Technical Data**

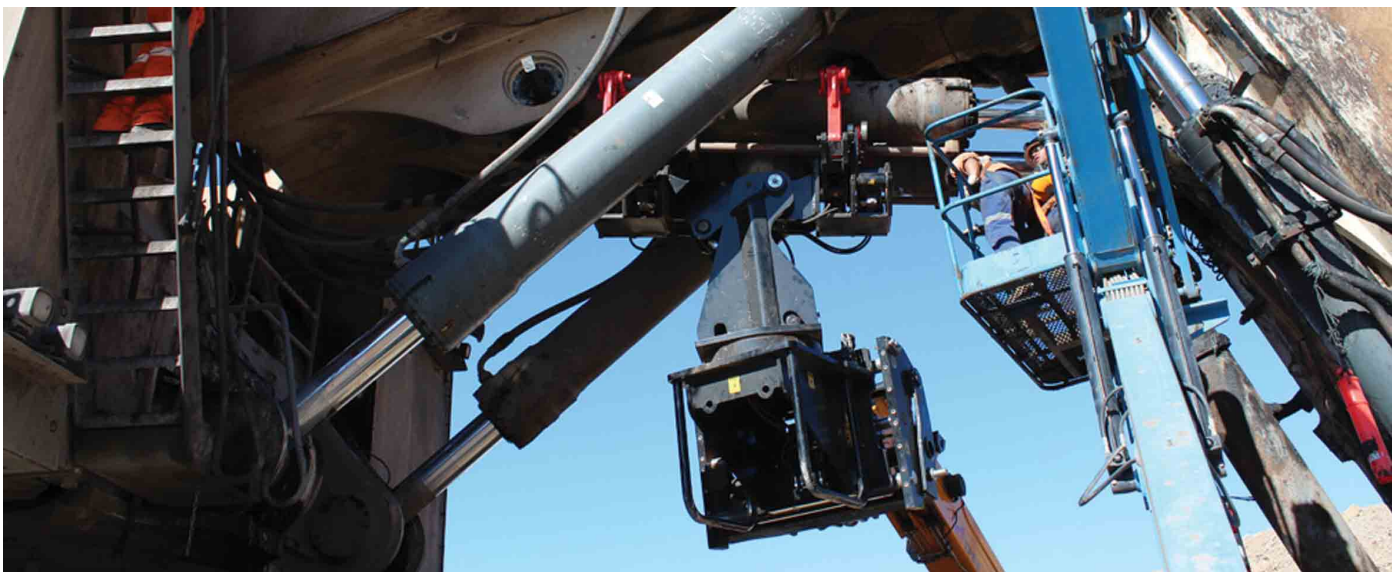


	Code	<b>A</b>	<b>B</b>	<b>C</b>	
BUD4005	TGN0003;TGN008 2	1574 mm (62,0 in)	800 mm (31,5 in)	1643 mm (64,7 in)	247 kg (545 lb)
BUD4027	TGN0035	1574 mm (62,0 in)	800 mm (31,5 in)	1643 mm (64,7 in)	247 kg (545 lb)
BUD4058	TGN0017	1574 mm (62,0 in)	800 mm (31,5 in)	1643 mm (64,7 in)	247 kg (545 lb)
BUD4584	TGN0093	1574 mm (62,0 in)	800 mm (31,5 in)	1643 mm (64,7 in)	247 kg (545 lb)
BUD4588	TGN0089	1574 mm (62,0 in)	800 mm (31,5 in)	1643 mm (64,7 in)	247 kg (545 lb)

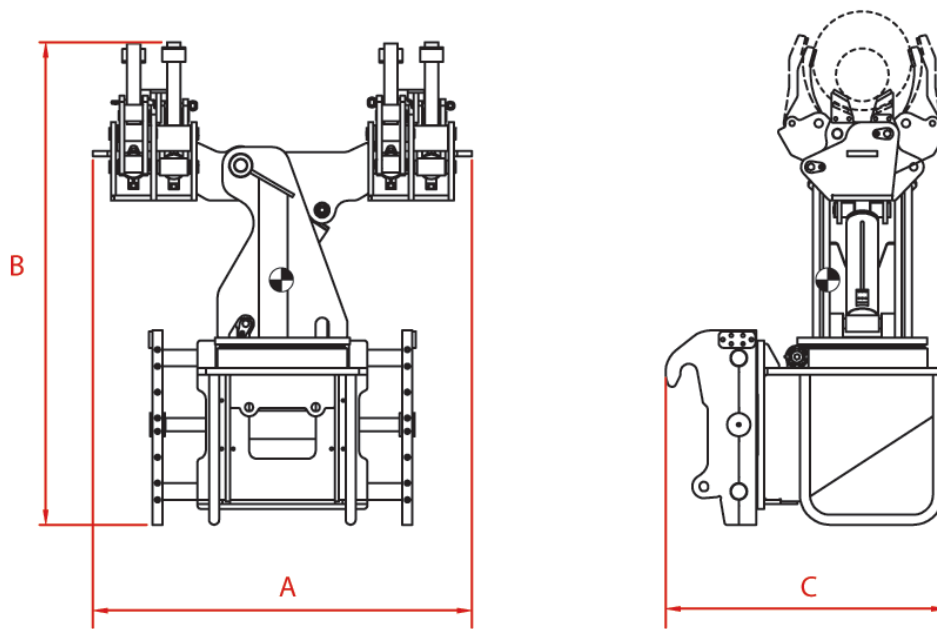
## Gripper for cylinders




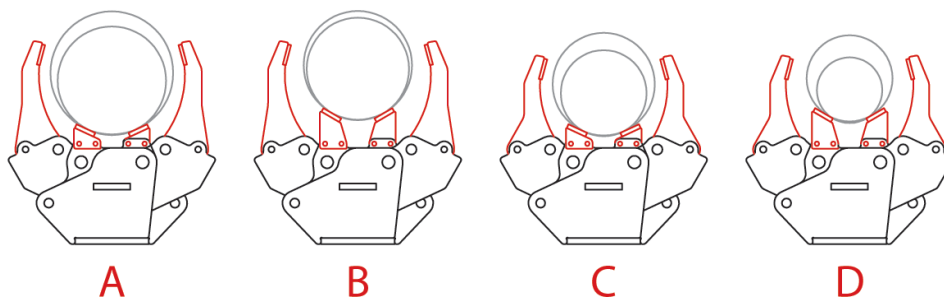
This clamp has been designed to handle various types of cylinders. The possibility of rotating and tilting makes it indispensable in maintenance operations of large machinery such as dumpers and mine excavators.



**Technical Data**



	Code	A	B	C	
BUD4056	TGN0068	2276 mm (89,6 in)	2984 mm (117,5 in)	1546 mm (60,9 in)	4320 kg (9524 lb)
BUD4632	TGN0119	2276 mm (89,6 in)	2984 mm (117,5 in)	1546 mm (60,9 in)	4320 kg (9524 lb)



A	ASM0000355 (Long)	ASM0000357 (Low)	530 mm (20.86 in)	600 mm (23.62 in)
B	ASM0000355 (Long)	ASM0000360 (High)	530 mm (20.86 in)	500 mm (19.68 in)
C	ASM0000356 (Short)	ASM0000357 (Low)	500 mm (19.68 in)	420 mm (16.53 in)
D	ASM0000356 (Short)	ASM0000360 (High)	420 mm (16.53 in)	320 mm (12.59 in)





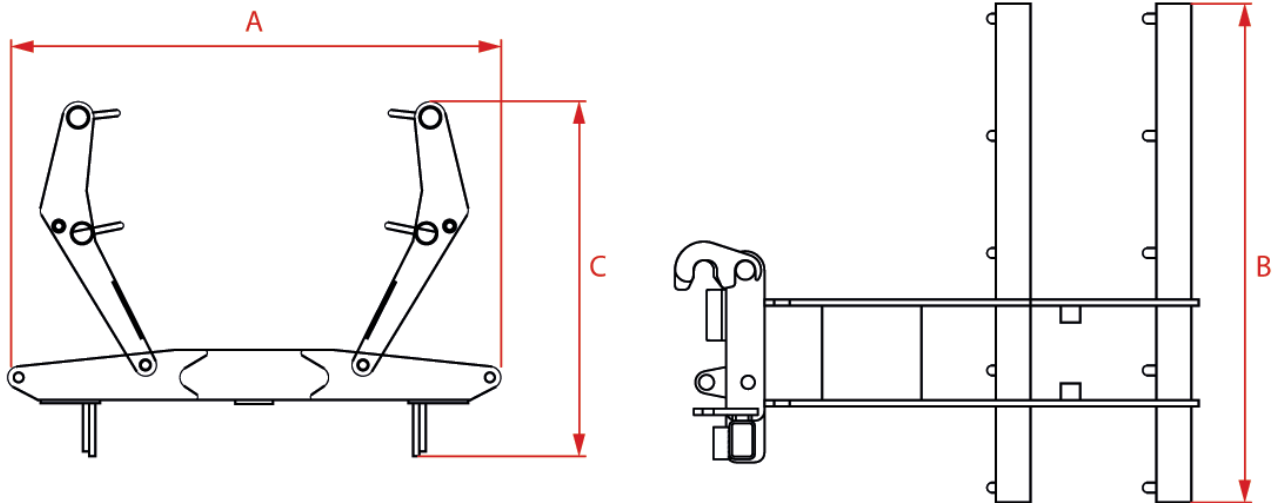
## Grab clamp for two roll bales



This equipment has been designed to move one or two wrapped roll bales. The combination of the equipment functionality and the vehicle capacities makes it particularly useful for loading and unloading trailers.

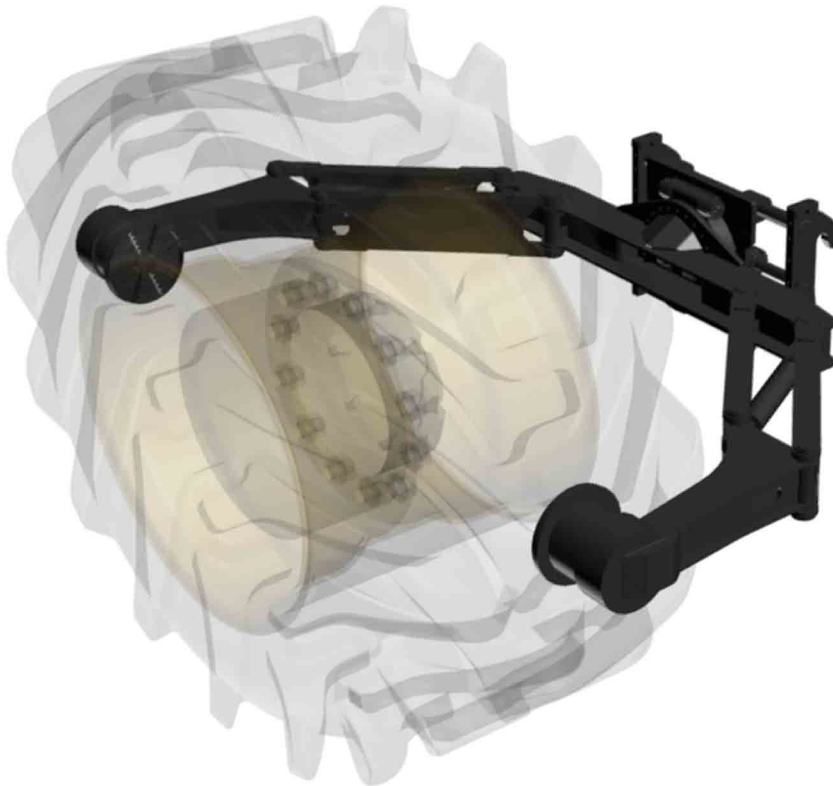


## Technical Data



	Code	A	B	C	
BUD4004	TGN0002	2100 mm (82,7 in)	1550 mm (61,0 in)	951 mm (37,4 in)	340 kg (750 lb)
BUD4036	TGN0034	2100 mm (82,7 in)	1550 mm (61,0 in)	951 mm (37,4 in)	340 kg (750 lb)
BUD4057	TGN0016	2100 mm (82,7 in)	1550 mm (61,0 in)	951 mm (37,4 in)	340 kg (750 lb)
BUD4583	TGN0081;TGN009 2	1929 mm (75,9 in)	1785 mm (70,3 in)	951 mm (37,4 in)	340 kg (750 lb)
BUD4587	TGN0088	1929 mm (75,9 in)	1785 mm (70,3 in)	951 mm (37,4 in)	340 kg (750 lb)

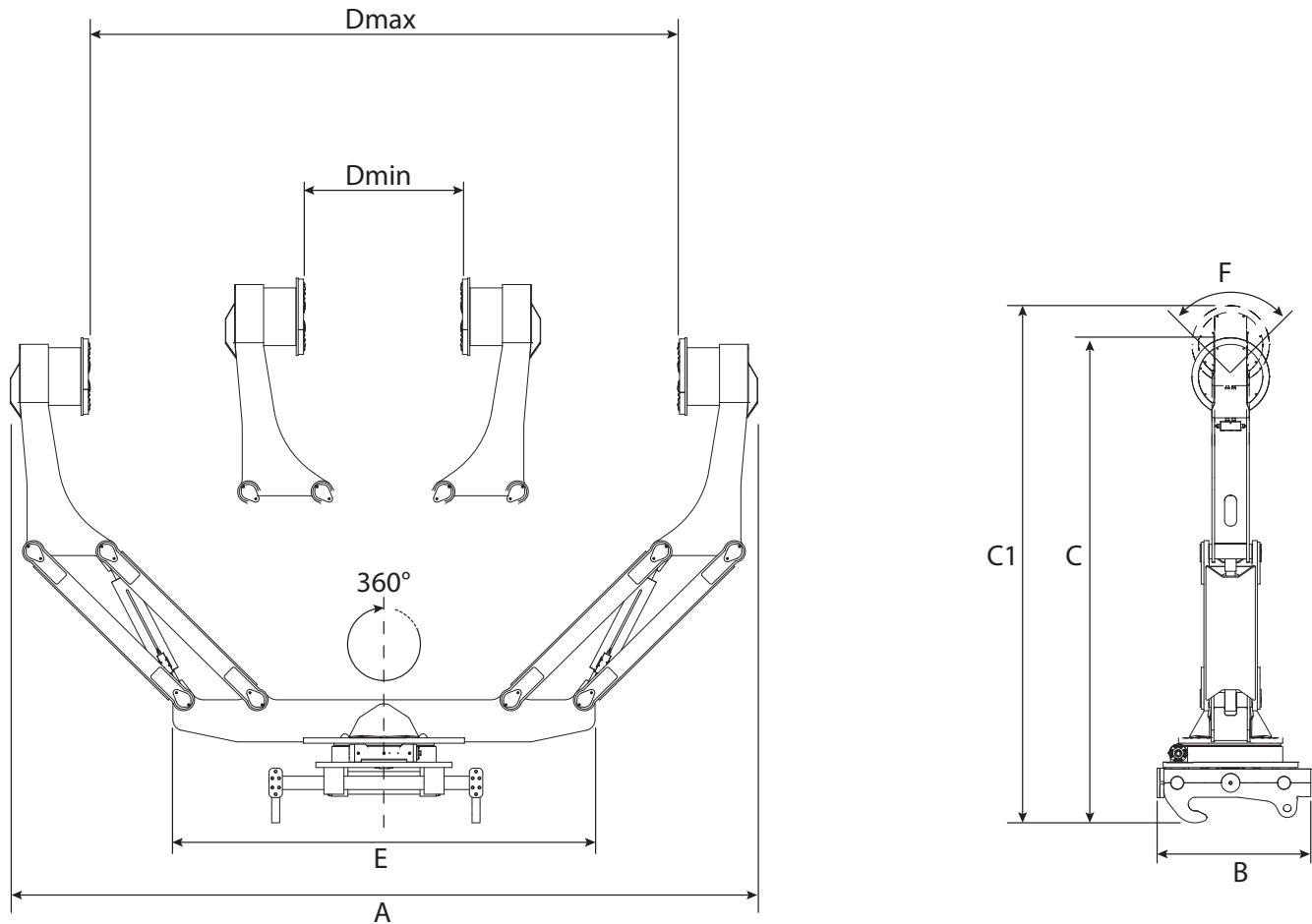
## Gripper for tires



This gripper has been designed to handle various types of tires. The possibility of rotating and tilting makes it indispensable in maintenance operations of large machinery such as mine dumpers.



## Technical Data



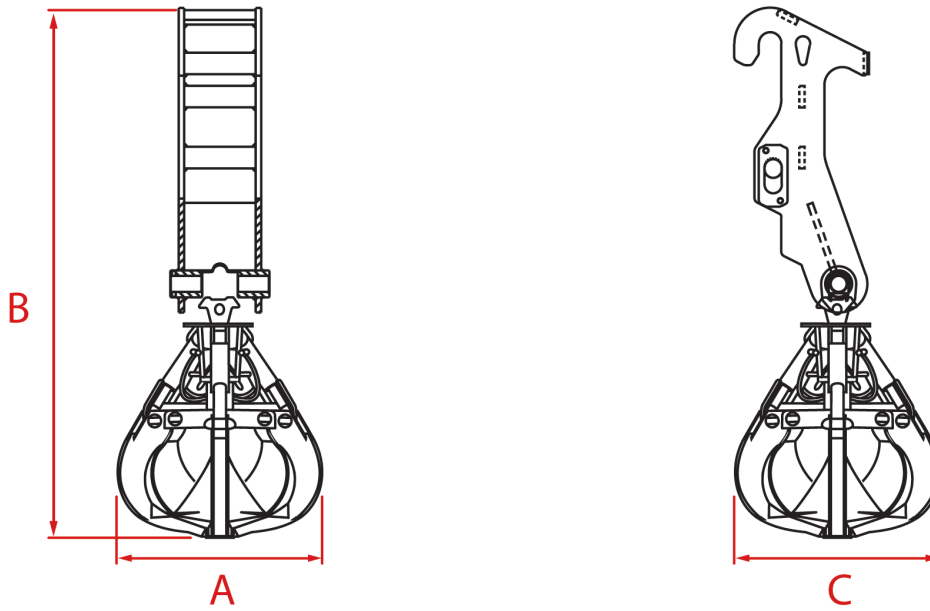
Production equipment code	BUD4049	BUD4564	BUD4633	BUD4637
Price list equipment code	TGN0069	TGN0105;TGN0118	TGN0120	TGN0123
Width (A)	5594 mm (220,2 in)	4144 mm (163,1 in)	5594 mm (220,2 in)	4818 mm (189,7 in)
Height (B)	1100 mm (43,3 in)	1156 mm (45,5 in)	1100 mm (43,3 in)	1500 mm (59,1 in)
Length (C)	3632 mm (143,0 in)	3259 mm (128,3 in)	3632 mm (143,0 in)	3493 mm (137,5 in)
Length (C1)	4050 mm (159,4 in)	3592 mm (141,4 in)	4050 mm (159,4 in)	3950 mm (155,5 in)
Max D	4398 mm (173,1 in)	3558 mm (140,1 in)	4398 mm (173,1 in)	4088 mm (160,9 in)
Min D	1480 mm (58,3 in)	1458 mm (57,4 in)	1480 mm (58,3 in)	1300 mm (51,2 in)
E	3164 mm (124,6 in)	2504 mm (98,6 in)	3164 mm (124,6 in)	3220 mm (126,8 in)
F	360 °	97 °	360 °	360 °
Capacity	6000 kg (13228 lb)	4000 kg (8818 lb)	6000 kg (13228 lb)	9000 kg (19842 lb)
Weight	4680 kg (10318 lb)	3350 kg (7385 lb)	4680 kg (10318 lb)	4589 kg (10117 lb)

## Orange-peel grabber



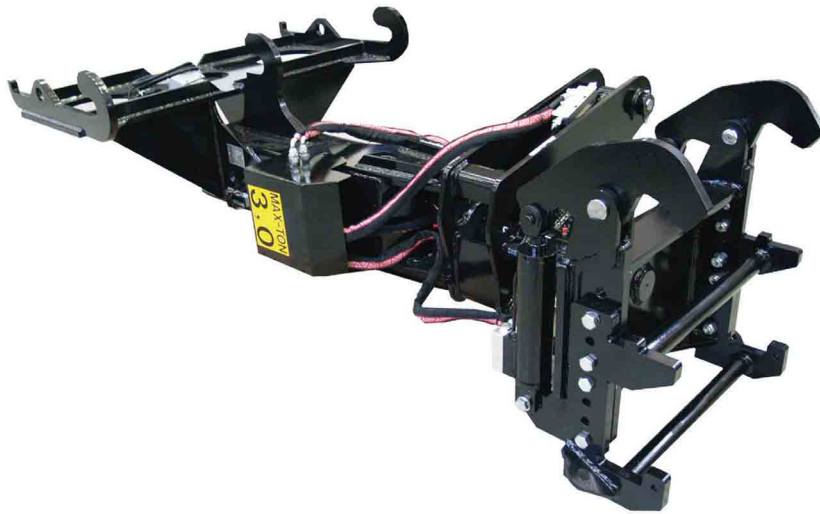
The orange-peel grabber is a hydraulic equipment suitable for handling loose materials such as scrap, urban waste, industrial waste, processing waste, boulders, paper, cardboard, plastic, wood and tires. Therefore it is mainly used in the recycling and disposal sector.

## Technical Data



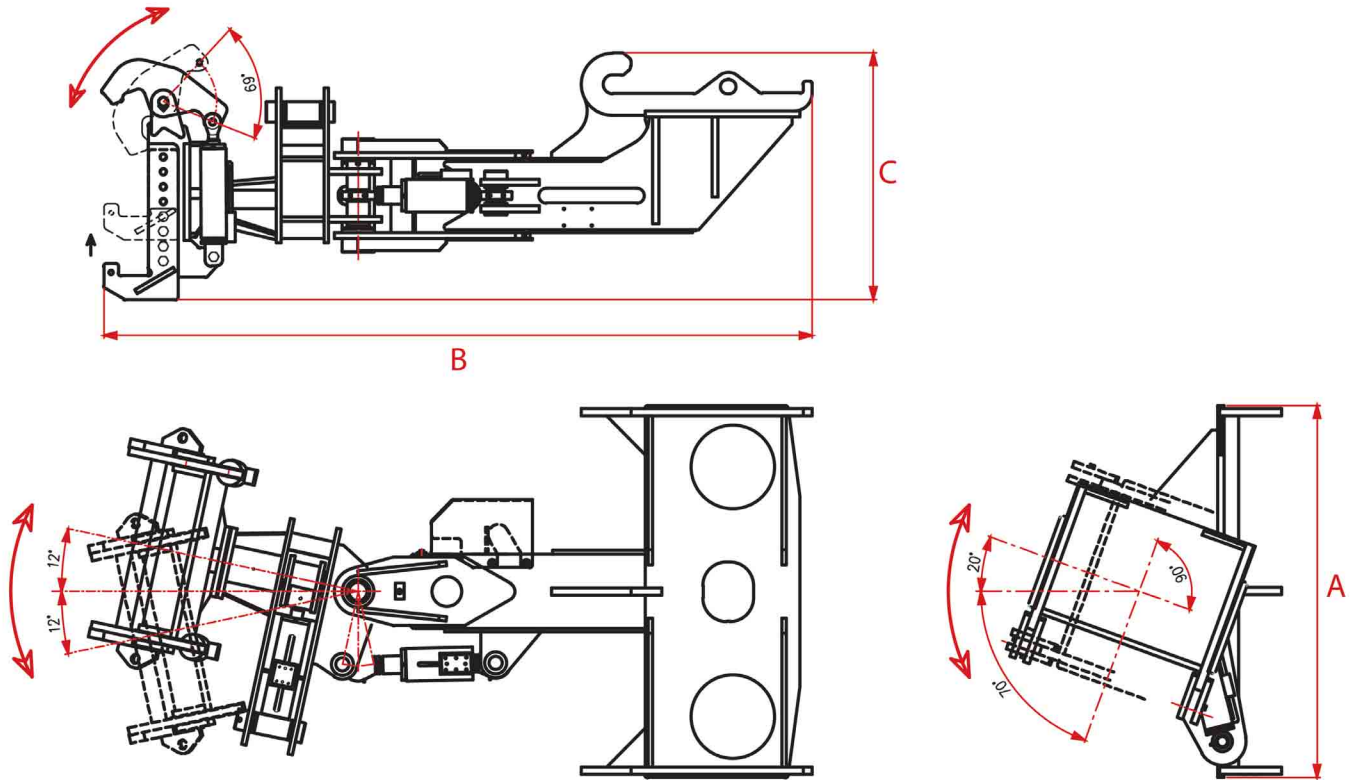
	Code	A	B	C	
BUB2441	TGN0001;TGN002 3	1020 mm (40,2 in)	1700 mm (66,9 in)	1020 mm (40,2 in)	330 kg (728 lb)
BUB2804	TGN0107	1120 mm (44,1 in)	1700 mm (66,9 in)	1020 mm (40,2 in)	310 kg (683 lb)

## Centring handler



Equipment designed to position the centring arches that will form the tunnels supporting arches. The possibility of rotating and tilting maximizes the precision in laying operations. The centring handler can be adjusted to adapt to the various types of arches.

## Technical Data



	Code					
BUD7012	TGN0067	1250 mm (49,2 in)	2385 mm (93,9 in)	830 mm (32,7 in)	4000 kg (8818 lb)	795 kg (1753 lb)
BUD7028	TGN0076	1250 mm (49,2 in)	2385 mm (93,9 in)	830 mm (32,7 in)	4000 kg (8818 lb)	795 kg (1753 lb)
BUD7029	TGN0077	1250 mm (49,2 in)	2385 mm (93,9 in)	830 mm (32,7 in)	3000 kg (6614 lb)	795 kg (1753 lb)
BUD7040	TGN0108	1250 mm (49,2 in)	2385 mm (93,9 in)	830 mm (32,7 in)	3000 kg (6614 lb)	795 kg (1753 lb)
BUD7041	TGN0111	1250 mm (49,2 in)	2385 mm (93,9 in)	830 mm (32,7 in)	4000 kg (8818 lb)	750 kg (1653 lb)



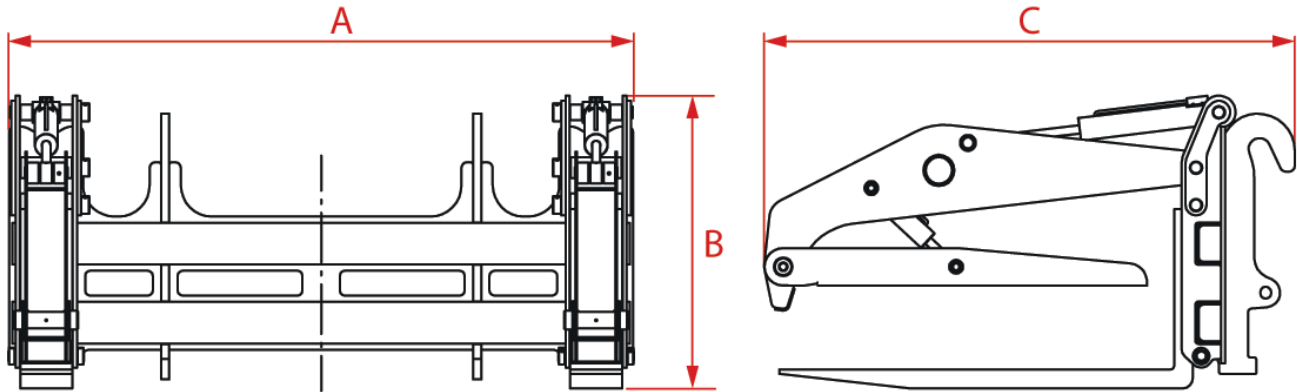
## Gripper for pipe



Equipment designed to handle pipes of different lengths and sections. It is mainly used in the oil industry and environmental remediation.



## Technical Data



	Code	A	B	C		
BUD4052	TGN0065	2996 mm (118,0 in)	1406 mm (55,4 in)	2480 mm (97,6 in)	8000 kg (17637 lb)	2370 kg (5225 lb)
BUD4074	TGN0064;TGN0 116	2996 mm (118,0 in)	1406 mm (55,4 in)	2480 mm (97,6 in)	6000 kg (13228 lb)	2370 kg (5225 lb)
BUD4077	TGN0074	3000 mm (118,1 in)	1390 mm (54,7 in)	3084 mm (121,4 in)	6000 kg (13228 lb)	2480 kg (5467 lb)
BUD4098	TGN0066;TGN0 117	3000 mm (118,1 in)	1390 mm (54,7 in)	3084 mm (121,4 in)	5000 kg (11023 lb)	2480 kg (5467 lb)
BUD4634	TGN0121	3000 mm (118,1 in)	1390 mm (54,7 in)	2565 mm (101,0 in)	8000 kg (17637 lb)	2150 kg (4740 lb)
BUD4638	TGN0122	3000 mm (118,1 in)	1390 mm (54,7 in)	2492 mm (98,1 in)	6000 kg (13228 lb)	2150 kg (4740 lb)

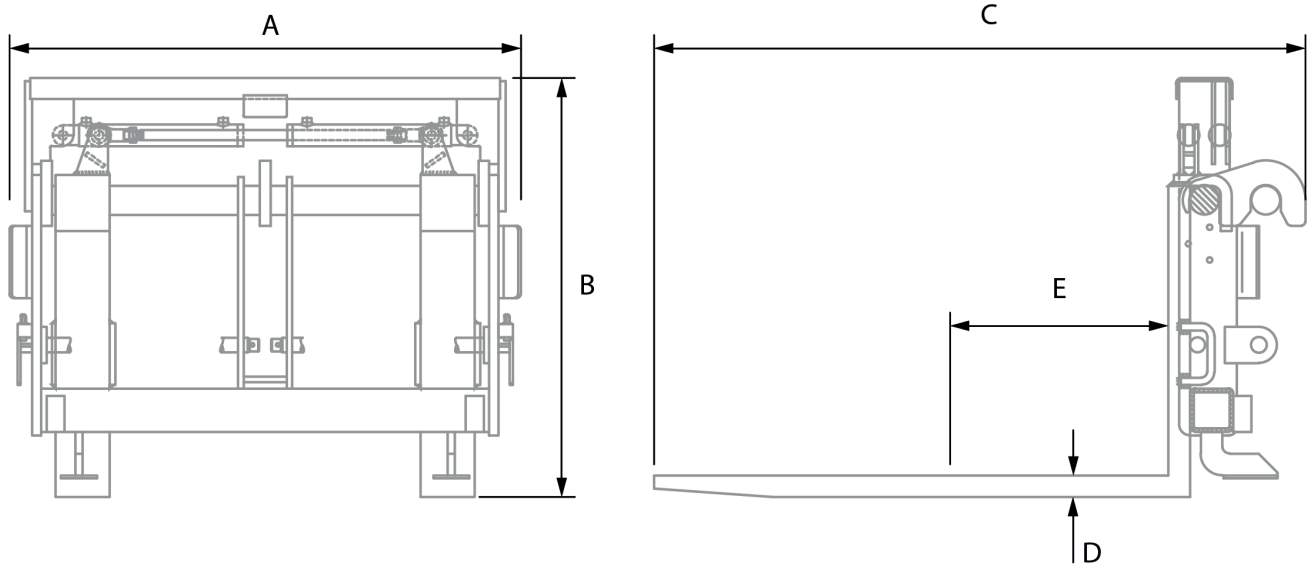
## Fork positioner

## Fork spreader



This equipment is used to widen or tighten the forks by means of a hydraulic control from the cab.

## Technical Data



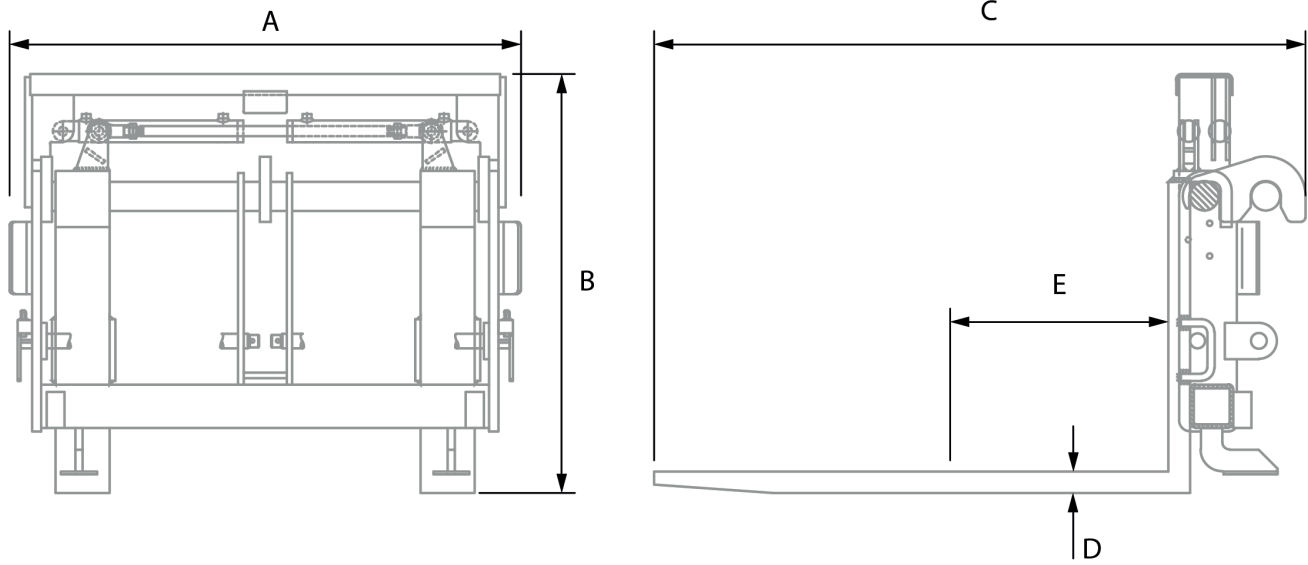
	Code								
BCV8063	TCV0001	1270 mm (50,0 in)	1123 mm (44,2 in)	1473 mm (58,0 in)	120 mm (4,7 in)	45 mm (1,8 in)	500 mm (19,7 in)	3800 kg (8378 lb)	390 kg (860 lb)
BCV8069	TCV0008	1410 mm (55,5 in)	1128 mm (44,4 in)	1500 mm (59,1 in)	120 mm (4,7 in)	50 mm (2,0 in)	500 mm (19,7 in)	5000 kg (11023 lb)	545 kg (1202 lb)
BCV8294	TCV0010	1420 mm (55,9 in)	1150 mm (45,3 in)	1580 mm (62,2 in)	150 mm (5,9 in)	60 mm (2,4 in)	600 mm (23,6 in)	7500 kg (16535 lb)	555 kg (1224 lb)
BCV8333	TCV0037	1420 mm (55,9 in)	1150 mm (45,3 in)	1580 mm (62,2 in)	150 mm (5,9 in)	60 mm (2,4 in)	600 mm (23,6 in)	7500 kg (16535 lb)	555 kg (1224 lb)
BCV8334	TCV0035	1420 mm (55,9 in)	1150 mm (45,3 in)	1580 mm (62,2 in)	150 mm (5,9 in)	60 mm (2,4 in)	600 mm (23,6 in)	7500 kg (16535 lb)	555 kg (1224 lb)
BCV8337	TCV0040	1420 mm (55,9 in)	1150 mm (45,3 in)	1580 mm (62,2 in)	150 mm (5,9 in)	60 mm (2,4 in)	600 mm (23,6 in)	7500 kg (16535 lb)	555 kg (1224 lb)
BCV8339	TCV0042	1420 mm (55,9 in)	1150 mm (45,3 in)	1580 mm (62,2 in)	150 mm (5,9 in)	60 mm (2,4 in)	600 mm (23,6 in)	7500 kg (16535 lb)	555 kg (1224 lb)
BCV8361	TCV0053	1410 mm (55,5 in)	1128 mm (44,4 in)	1500 mm (59,1 in)	130 mm (5,1 in)	60 mm (2,4 in)	600 mm (23,6 in)	6000 kg (13228 lb)	590 kg (1301 lb)

## Forks spreader shifter



This equipment is used to widen, tighten and move the forks to the right or left by a hydraulic control from the cab.

## Technical Data



	Code								
BCV8286	TCV0019	2370 mm (93,3 in)	1462 mm (57,6 in)	1655 mm (65,2 in)	200 mm (7,9 in)	70 mm (2,8 in)	600 mm (23,6 in)	10000 kg (22046 lb)	1663 kg (3666 lb)
BCV8287	TCV0020	2370 mm (93,3 in)	1462 mm (57,6 in)	2255 mm (88,8 in)	200 mm (7,9 in)	70 mm (2,8 in)	900 mm (35,4 in)	8150 kg (17968 lb)	1800 kg (3968 lb)
BCV8288	TCV0021	2370 mm (93,3 in)	1592 mm (62,7 in)	2865 mm (112,8 in)	200 mm (7,9 in)	80 mm (3,1 in)	1200 mm (47,2 in)	8500 kg (18739 lb)	2000 kg (4409 lb)
BCV8302	TCV0022	2370 mm (93,3 in)	1592 mm (62,7 in)	2255 mm (88,8 in)	200 mm (7,9 in)	95 mm (3,7 in)	900 mm (35,4 in)	20000 kg (44092 lb)	2000 kg (4409 lb)
BCV8303	TCV0023	2370 mm (93,3 in)	1592 mm (62,7 in)	2865 mm (112,8 in)	200 mm (7,9 in)	95 mm (3,7 in)	1200 mm (47,2 in)	17300 kg (38140 lb)	2200 kg (4850 lb)
BCV8358	TCV0065	2255 mm (88,8 in)	1600 mm (63,0 in)	2865 mm (112,8 in)	200 mm (7,9 in)	80 mm (3,1 in)	2400 mm (94,5 in)	11500 kg (25353 lb)	1795 kg (3957 lb)
BCV8363	TCV0047	2550 mm (100,4 in)	1480 mm (58,3 in)	2300 mm (90,6 in)	200 mm (7,9 in)	105 mm (4,1 in)	1800 mm (70,9 in)	23000 kg (50706 lb)	2000 kg (4409 lb)
BCV8364	TCV0048	2550 mm (100,4 in)	1480 mm (58,3 in)	2900 mm (114,2 in)	200 mm (7,9 in)	105 mm (4,1 in)	900 mm (35,4 in)	23000 kg (50706 lb)	2200 kg (4850 lb)
BCV8367	TCV0067	2360 mm (92,9 in)	1650 mm (65,0 in)	2280 mm (89,8 in)	200 mm (7,9 in)	95 mm (3,7 in)	900 mm (35,4 in)	21000 kg (46297 lb)	2350 kg (5181 lb)
BCV8368	TCV0066	2250 mm (88,6 in)	1427 mm (56,2 in)	2895 mm (114,0 in)	200 mm (7,9 in)	95 mm (3,7 in)	900 mm (35,4 in)	21000 kg (46297 lb)	2150 kg (4740 lb)
BCV8370	TCV0068	2550 mm (100,4 in)	1480 mm (58,3 in)	2330 mm (91,7 in)	200 mm (7,9 in)	105 mm (4,1 in)	900 mm (35,4 in)	23000 kg (50706 lb)	2680 kg (5908 lb)
BCV8371	TCV0069	2550 mm (100,4 in)	1480 mm (58,3 in)	2930 mm (115,4 in)	200 mm (7,9 in)	105 mm (4,1 in)	1200 mm (47,2 in)	23000 kg (50706 lb)	2820 kg (6217 lb)

BCV8373	TCV0074	1350 mm (53,1 in)	916 mm (36,1 in)	1580 mm (62,2 in)	120 mm (4,7 in)	50 mm (2,0 in)	500 mm (19,7 in)	5000 kg (11023 lb)	540 kg (1190 lb)
BCV8381	TCV0073	1350 mm (53,1 in)	916 mm (36,1 in)	1580 mm (62,2 in)	120 mm (4,7 in)	50 mm (2,0 in)	500 mm (19,7 in)	5000 kg (11023 lb)	540 kg (1190 lb)
BCV8651	TCV0064	2370 mm (93,3 in)	1442 mm (56,8 in)	2100 mm (82,7 in)	200 mm (7,9 in)	70 mm (2,8 in)	600 mm (23,6 in)	13000 kg (28660 lb)	1850 kg (4079 lb)

## Forks shifting unit

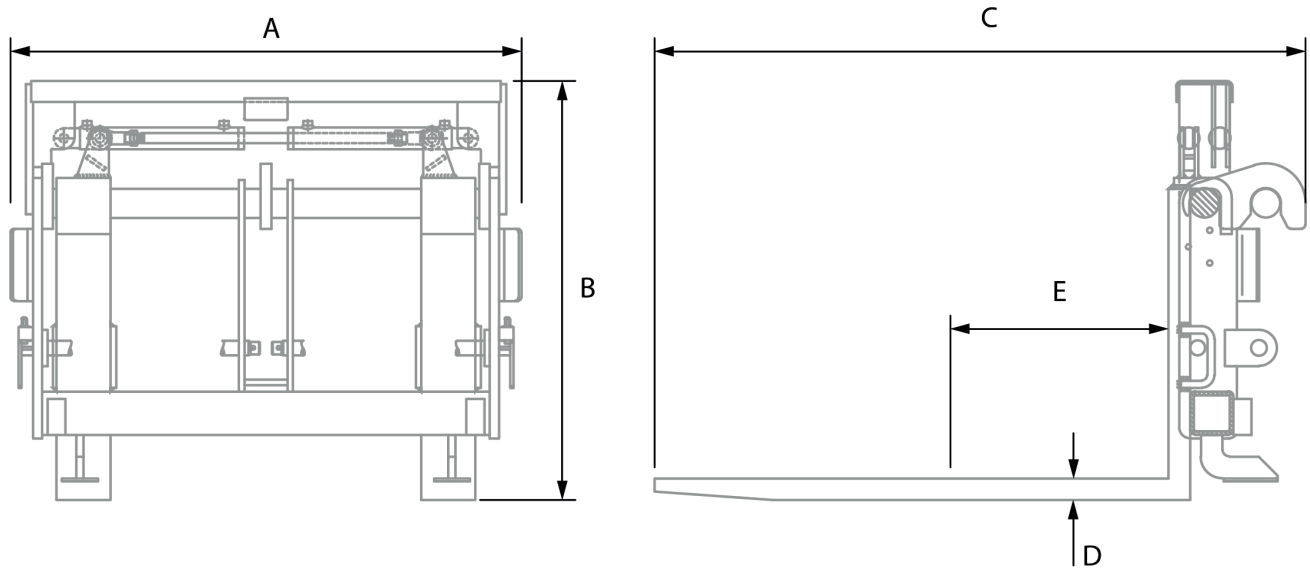










This equipment used to move the forks to the left or right by a hydraulic control from the cab.





**Technical Data**



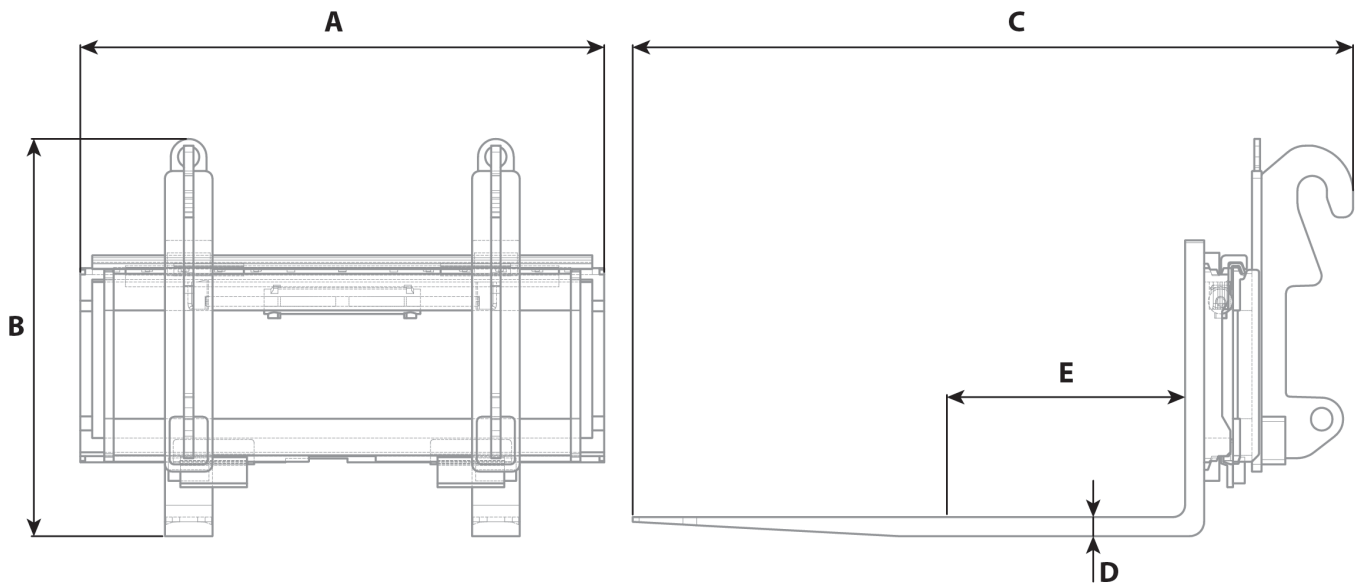
	Code								
BCV8070	TCV0015	1170 mm (46,1 in)	755 mm (29,7 in)	1540 mm (60,6 in)	120 mm (4,7 in)	45 mm (1,8 in)	500 mm (19,7 in)	2500 kg (5512 lb)	320 kg (705 lb)
BCV8077	TCV0016	1470 mm (57,9 in)	755 mm (29,7 in)	1540 mm (60,6 in)	120 mm (4,7 in)	45 mm (1,8 in)	500 mm (19,7 in)	2500 kg (5512 lb)	350 kg (772 lb)
BCV8382	TCV0082	1440 mm (56,7 in)	950 mm (37,4 in)	1600 mm (63,0 in)	120 mm (4,7 in)	50 mm (2,0 in)	500 mm (19,7 in)	5000 kg (11023 lb)	510 kg (1124 lb)
BCV8383	TCV0083	1440 mm (56,7 in)	950 mm (37,4 in)	1600 mm (63,0 in)	120 mm (4,7 in)	50 mm (2,0 in)	500 mm (19,7 in)	5000 kg (11023 lb)	510 kg (1124 lb)
BCV8646	TCV0060	1170 mm (46,1 in)	815 mm (32,1 in)	1540 mm (60,6 in)	100 mm (3,9 in)	40 mm (1,6 in)	500 mm (19,7 in)	2500 kg (5512 lb)	300 kg (661 lb)

## FEM forks shifting unit



This equipment used to move the forks to the left or right by a hydraulic control from the cab.

**Technical Data**



	Code	<b>A</b>	<b>B</b>	<b>C</b>						
BCV8357	TCV0062	1100 mm (43,3 in)	833 mm (32,8 in)	1515 mm (59,6 in)	100 mm (3,9 in)	40 mm (1,6 in)	1160 mm (45,7 in)	2500 kg (5512 lb)	270 kg (595 lb)	

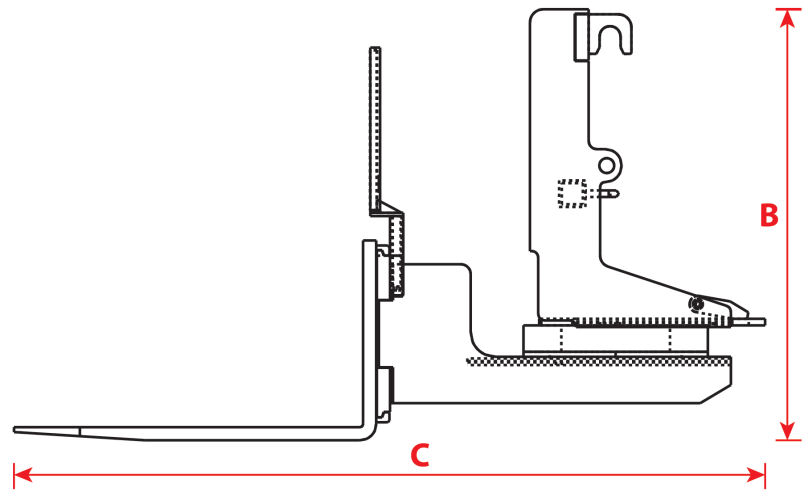
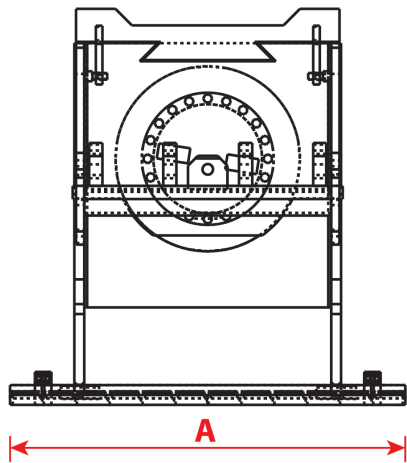
## Special items


### Rotating counterplate with forks



The rotating counter-plate ensures maximum flexibility of use, its 360° continuous rotation will allow to unload and load the material in any position.

**Technical Data**



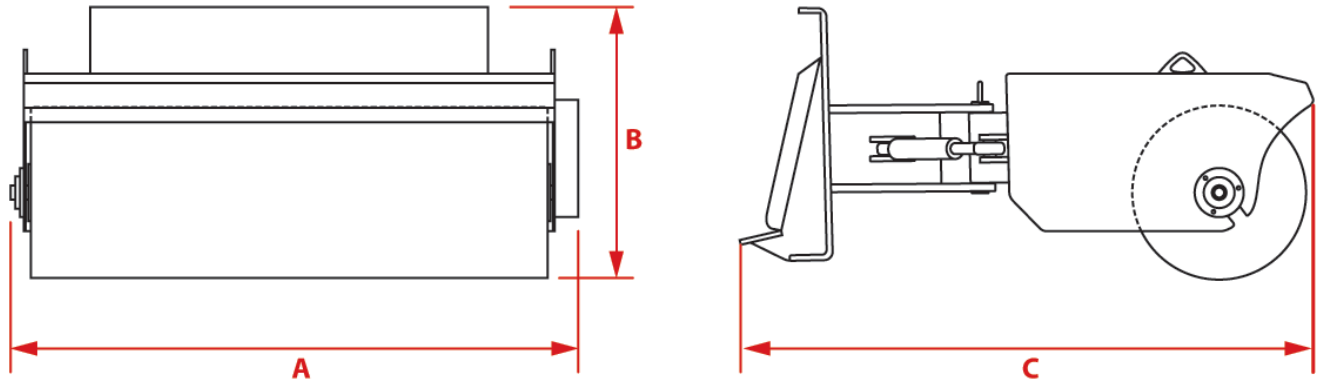
	Code	<b>A</b>	<b>B</b>	<b>C</b>	
BCV8331	TCV0045	1200 mm (47,2 in)	1217 mm (47,9 in)	2275 mm (89,6 in)	800 kg (1764 lb)
BCV8649	TCV0055	1200 mm (47,2 in)	1217 mm (47,9 in)	2275 mm (89,6 in)	800 kg (1764 lb)


## Angled sweeper



The angled sweeper can be used for cleaning construction sites, roads, large court areas or thanks to the mechanical angle system as a snowplow in case of light snow.

**Technical Data**



	Code	<b>A</b>	<b>B</b>	<b>C</b>	
BUD4073	TGN0041	2280 mm (89,8 in)	762 mm (30,0 in)	1272 mm (50,1 in)	410 kg (904 lb)
BUD4091	TGN0029	2280 mm (89,8 in)	762 mm (30,0 in)	1272 mm (50,1 in)	420 kg (926 lb)
BUD4105	TGN0102	2500 mm (98,4 in)	950 mm (37,4 in)	1600 mm (63,0 in)	460 kg (1014 lb)

## Sweeper box with collection

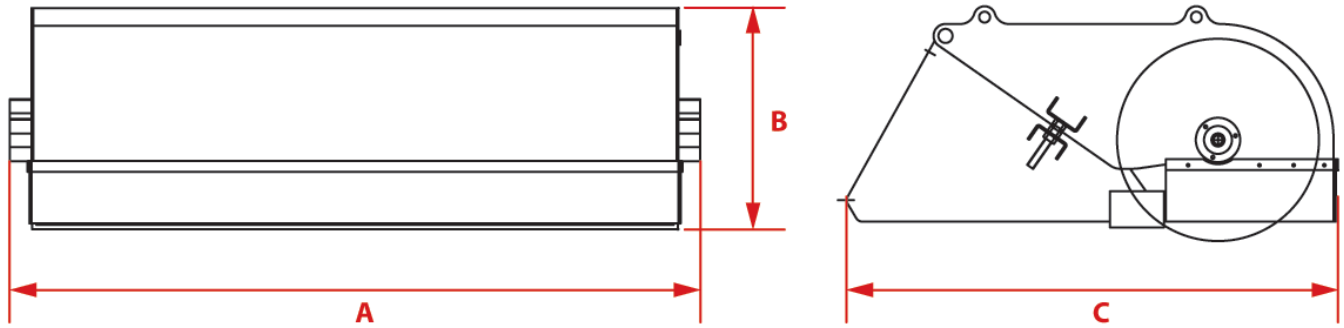



The sweeper box with collection can be used, thanks to its polypropylene brushes, for cleaning construction sites, roads, large areas of courts.

The use of the cutting edge makes it particularly suitable for scraping and collecting mud and debris from the ground.



**Technical Data**



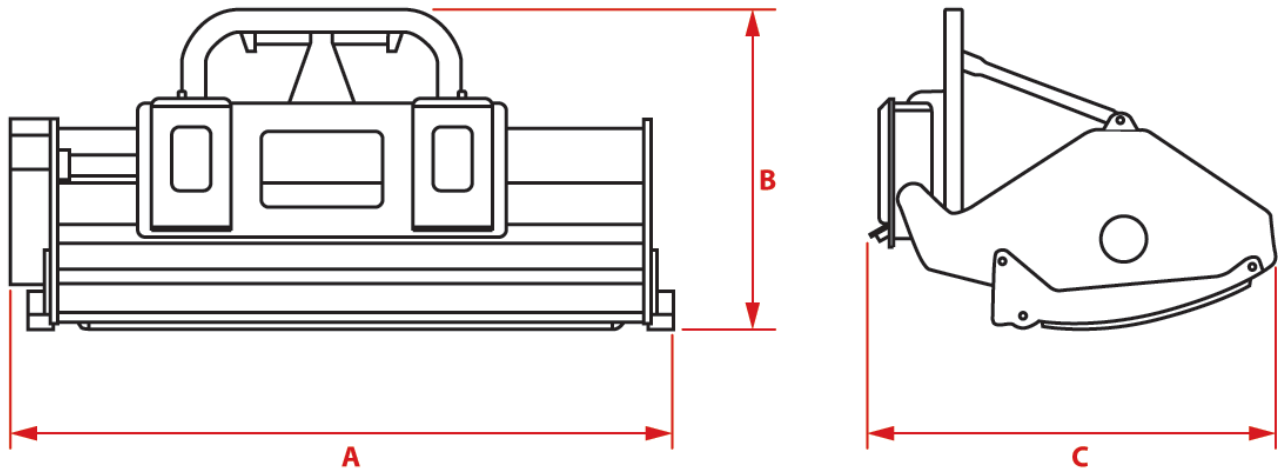
	Code	<b>A</b>	<b>B</b>	<b>C</b>	
BUD4082	TGN0042	2220 mm (87,4 in)	612 mm (24,1 in)	1363 mm (53,7 in)	590 kg (1301 lb)
BUD4090	TGN0030	2220 mm (87,4 in)	612 mm (24,1 in)	1363 mm (53,7 in)	590 kg (1301 lb)
BUD4106	TGN0103	2220 mm (87,4 in)	612 mm (24,1 in)	1363 mm (53,7 in)	590 kg (1301 lb)


## Front shredder



This equipment stands out for its versatility of use, it is suitable for cutting grass, for cutting small shoots in vineyards or orchards and for cleaning the undergrowth.

**Technical Data**



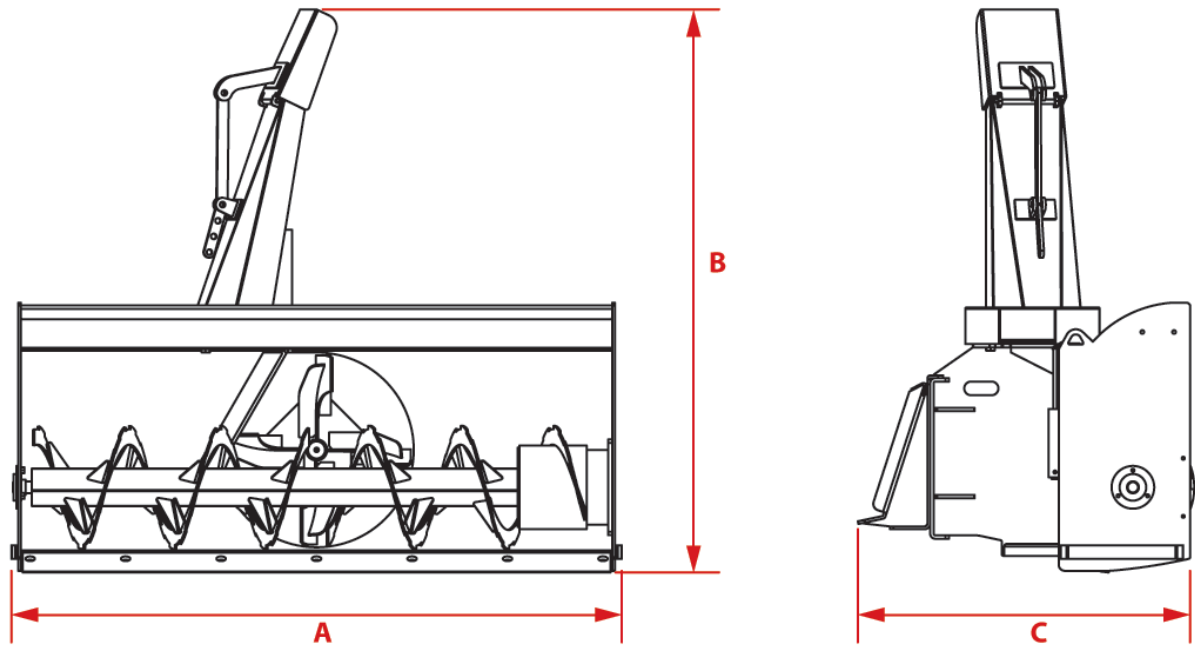
	Code	<b>A</b>	<b>B</b>	<b>C</b>	
BUD4086	TGN0053	2100 mm (82,7 in)	890 mm (35,0 in)	1080 mm (42,5 in)	510 kg (1124 lb)
BUD4094	TGN0033	2300 mm (90,6 in)	890 mm (35,0 in)	1080 mm (42,5 in)	560 kg (1235 lb)
BUD4107	TGN0104	2320 mm (91,3 in)	890 mm (35,0 in)	1087 mm (42,8 in)	560 kg (1235 lb)


## Two-stage turbine snow blower



This equipment has been designed for the removing large quantities of snow. The adoption of a hydraulic piston motor with torque limiter prevents the possibility of breakage due to accidental inlet of objects hidden in the snow. The notched ice-breaking propellers minimize wear caused by gravel and stones mixed with snow. The snow exit duct is equipped with mechanically adjustable flaps.

**Technical Data**



	Code	<b>A</b>	<b>B</b>	<b>C</b>	
BUD4069	TGN0049	2100 mm (82,7 in)	1650 mm (65,0 in)	990 mm (39,0 in)	890 kg (1962 lb)
BUD4092	TGN0031	2300 mm (90,6 in)	1650 mm (65,0 in)	990 mm (39,0 in)	950 kg (2094 lb)
BUD4103	TGN0098	2300 mm (90,6 in)	1650 mm (65,0 in)	990 mm (39,0 in)	950 kg (2094 lb)

## Lifting equipment

### Winches

#### Winch for forks holding plate

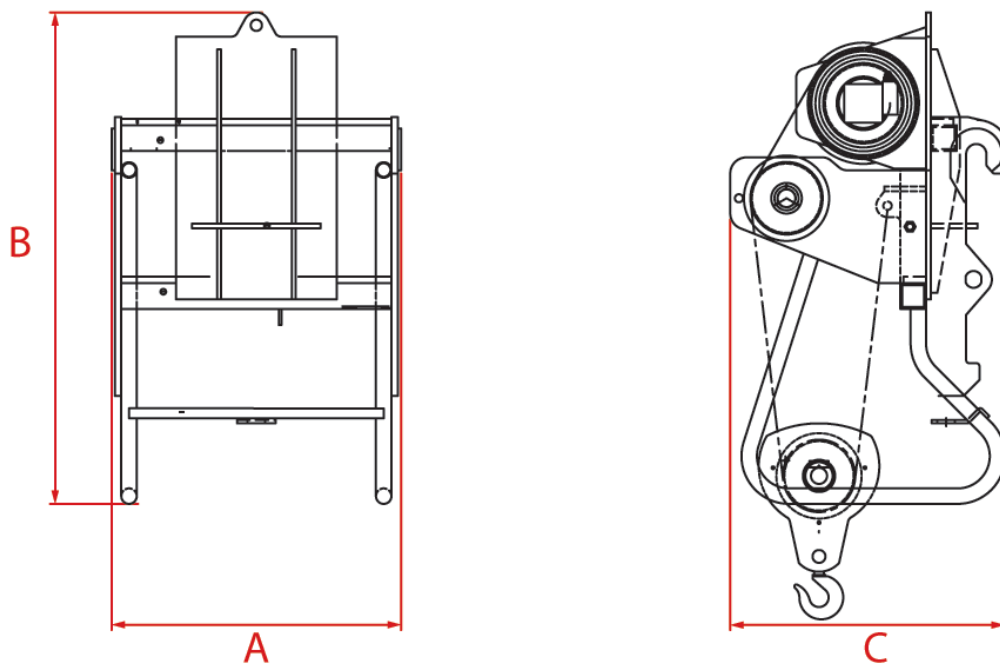








This equipment has been designed for lifting, transport and positioning suspended loads.

The block is equipped with a 360° swivel hook with locking tab.



**Technical Data**



	Code						
BUD4413	TSL0092;TSL0092	1302 mm (51,3 in)	1790 mm (70,5 in)	1927 mm (75,9 in)	Double, with rope guide	12000 kg (26455 lb)	1490 kg (3285 lb)
BUD4470	TSL0066;TSL0066	1302 mm (51,3 in)	1790 mm (70,5 in)	1927 mm (75,9 in)	Double, with rope guide	8000 kg (17637 lb)	1150 kg (2535 lb)
BUD4475	TSL0029;TSL0037	900 mm (35,4 in)	1460 mm (57,5 in)	960 mm (37,8 in)	Double, with rope guide	3000 kg (6614 lb)	410 kg (904 lb)
BUD4476	TSL0030	890 mm (35,0 in)	1540 mm (60,6 in)	1100 mm (43,3 in)	Double, with rope guide	4000 kg (8818 lb)	490 kg (1080 lb)
BUD4507	TSL0005	900 mm (35,4 in)	1460 mm (57,5 in)	960 mm (37,8 in)	Double, with rope guide	3000 kg (6614 lb)	410 kg (904 lb)
BUD4508	TSL0010	900 mm (35,4 in)	1525 mm (60,0 in)	855 mm (33,7 in)	Double, with rope guide	4000 kg (8818 lb)	490 kg (1080 lb)
BUD4515	TSL0015	900 mm (35,4 in)	1460 mm (57,5 in)	960 mm (37,8 in)	Double, with rope guide	3000 kg (6614 lb)	410 kg (904 lb)
BUD4516	TSL0016	900 mm (35,4 in)	1525 mm (60,0 in)	855 mm (33,7 in)	Double, with rope guide	4000 kg (8818 lb)	490 kg (1080 lb)
BUD4517	TSL0017	900 mm (35,4 in)	1525 mm (60,0 in)	845 mm (33,3 in)	Double, with rope guide	5000 kg (11023 lb)	490 kg (1080 lb)
BUD4550	TSL0070;TSL0070	900 mm (35,4 in)	1525 mm (60,0 in)	845 mm (33,3 in)	Double, with rope guide	5000 kg (11023 lb)	490 kg (1080 lb)
BUD4581	TSL0088;TSL0088	1250 mm (49,2 in)	1595 mm (62,8 in)	1000 mm (39,4 in)	Double, with rope guide	4000 kg (8818 lb)	455 kg (1003 lb)
BUD4582	TSL0089;TSL0089	1120 mm (44,1 in)	1595 mm (62,8 in)	1000 mm (39,4 in)	Double, with rope guide	5000 kg (11023 lb)	455 kg (1003 lb)

BUD4589	TSL0080;TSL0080	1120 mm (44,1 in)	1530 mm (60,2 in)	1000 mm (39,4 in)	Double, with rope guide	3000 kg (6614 lb)	420 kg (926 lb)
BUD4593	TSL0093;TSL0093	1120 mm (44,1 in)	1594 mm (62,8 in)	1022 mm (40,2 in)	Double	5000 kg (11023 lb)	515 kg (1135 lb)
BUD4603	TSL0103;TSL0103	1120 mm (44,1 in)	1530 mm (60,2 in)	1000 mm (39,4 in)	Double, with rope guide	3000 kg (6614 lb)	420 kg (926 lb)
BUD4604	TSL0104;TSL0104	1120 mm (44,1 in)	1594 mm (62,8 in)	1022 mm (40,2 in)	Double	4000 kg (8818 lb)	455 kg (1003 lb)
BUD4605	TSL0105;TSL0105	1120 mm (44,1 in)	1594 mm (62,8 in)	1022 mm (40,2 in)	Double	5000 kg (11023 lb)	453 kg (999 lb)
BUD4607	TSL0120;TSL0120	1120 mm (44,1 in)	1594 mm (62,8 in)	1022 mm (40,2 in)	Double	5000 kg (11023 lb)	453 kg (999 lb)
BUD4611	TSL0113;TSL0113	556 mm (21,9 in)	825 mm (32,5 in)	2850 mm (112,2 in)	Double	1200 kg (2646 lb)	350 kg (772 lb)
BUD4612	TSL0114;TSL0114	1120 mm (44,1 in)	1594 mm (62,8 in)	1022 mm (40,2 in)	Double	4000 kg (8818 lb)	455 kg (1003 lb)
BUD4626	TSL0122;TSL0122	1120 mm (44,1 in)	1594 mm (62,8 in)	1022 mm (40,2 in)	Double	5000 kg (11023 lb)	515 kg (1135 lb)
BUD4630	TSL0127;TSL0127	1790 mm (70,5 in)	1920 mm (75,6 in)	1300 mm (51,2 in)	Double, with rope guide	8000 kg (17637 lb)	1050 kg (2315 lb)
BUD4640	TSL0131;TSL0131	1790 mm (70,5 in)	1920 mm (75,6 in)	1300 mm (51,2 in)	Double, with rope guide	12000 kg (26455 lb)	1150 kg (2535 lb)
BUD4641	TSL0130;TSL0130	1790 mm (70,5 in)	1920 mm (75,6 in)	1300 mm (51,2 in)	Double, with rope guide	8000 kg (17637 lb)	1070 kg (2359 lb)



## Crane extension with winch



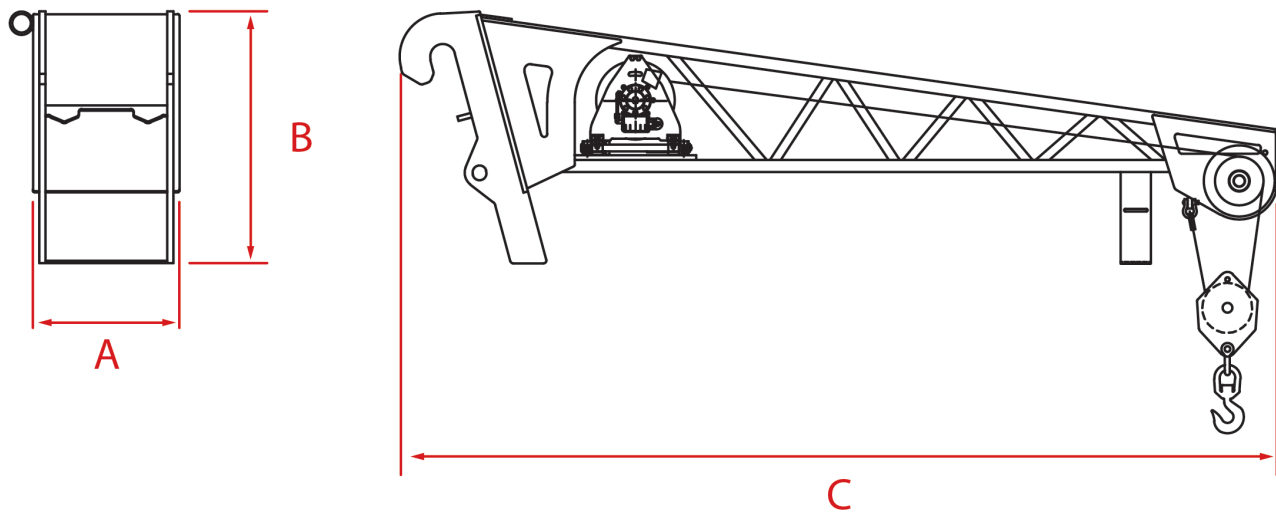
This equipment has been designed for lifting, transport and positioning suspended loads.

The jib crane structure helps to contain the weight of the equipment while maintaining excellent rigidity.

The block is equipped with a 360° swivel hook with locking tab.



## Technical Data



	Code						
BUD4452	TSL0025;TSL 0033	556 mm (21,9 in)	825 mm (32,5 in)	2569 mm (101,1 in)	Double	1200 kg (2646 lb)	315 kg (694 lb)
BUD4454	TSL0027;TSL 0035	720 mm (28,3 in)	1000 mm (39,4 in)	5050 mm (198,8 in)	Double	600 kg (1323 lb)	415 kg (915 lb)
BUD4474	TSL0023;TSL 0031	640 mm (25,2 in)	900 mm (35,4 in)	1750 mm (68,9 in)	Double	2000 kg (4409 lb)	284 kg (626 lb)
BUD4505	TSL0008	626 mm (24,6 in)	917 mm (36,1 in)	4975 mm (195,9 in)	Double	600 kg (1323 lb)	360 kg (794 lb)
BUD4509	TSL0011	640 mm (25,2 in)	900 mm (35,4 in)	1750 mm (68,9 in)	Double	2000 kg (4409 lb)	284 kg (626 lb)
BUD4518	TSL0039	776 mm (30,6 in)	825 mm (32,5 in)	1636 mm (64,4 in)	Double	1800 kg (3968 lb)	200 kg (441 lb)
BUD4520	TSL0041	776 mm (30,6 in)	825 mm (32,5 in)	2824 mm (111,2 in)	Double	1100 kg (2425 lb)	250 kg (551 lb)
BUD4546	TSL0060	556 mm (21,9 in)	825 mm (32,5 in)	2850 mm (112,2 in)	Double	1200 kg (2646 lb)	350 kg (772 lb)
BUD4547	TSL0003	556 mm (21,9 in)	825 mm (32,5 in)	2569 mm (101,1 in)	Double	1200 kg (2646 lb)	350 kg (772 lb)
BUD4548	TSL0071;TSL 0071	550 mm (21,7 in)	1200 mm (47,2 in)	3000 mm (118,1 in)	Double	1500 kg (3307 lb)	430 kg (948 lb)
BUD4556	TSL0001	1120 mm (44,1 in)	955 mm (37,6 in)	1634 mm (64,3 in)	Double	1200 kg (2646 lb)	350 kg (772 lb)
BUD4560	TSL0013	556 mm (21,9 in)	825 mm (32,5 in)	2850 mm (112,2 in)	Double	1200 kg (2646 lb)	350 kg (772 lb)
BUD4566	TSL0078;TSL 0078	1120 mm (44,1 in)	955 mm (37,6 in)	1634 mm (64,3 in)	Double	1200 kg (2646 lb)	350 kg (772 lb)
BUD4568	TSL0079;TSL 0079	556 mm (21,9 in)	825 mm (32,5 in)	2569 mm (101,1 in)	Double	1200 kg (2646 lb)	350 kg (772 lb)

BUD4578	TSL0085;TSL 0085	1352 mm (53,2 in)	957 mm (37,7 in)	1668 mm (65,7 in)	Double	1200 kg (2646 lb)	350 kg (772 lb)
BUD4579	TSL0086;TSL 0086	1345 mm (53,0 in)	957 mm (37,7 in)	2872 mm (113,1 in)	Double	1200 kg (2646 lb)	350 kg (772 lb)
BUD4599	TSL0099;TSL 0099	1120 mm (44,1 in)	955 mm (37,6 in)	1634 mm (64,3 in)	Double	1200 kg (2646 lb)	350 kg (772 lb)
BUD4600	TSL0100;TSL 0100	556 mm (21,9 in)	825 mm (32,5 in)	2569 mm (101,1 in)	Double	1200 kg (2646 lb)	350 kg (772 lb)
BUD4601	TSL0101;TSL 0101	1200 mm (47,2 in)	955 mm (37,6 in)	2972 mm (117,0 in)	Double	1500 kg (3307 lb)	420 kg (926 lb)
BUD4602	TSL0102;TSL 0102	1200 mm (47,2 in)	955 mm (37,6 in)	4996 mm (196,7 in)	Double	600 kg (1323 lb)	400 kg (882 lb)
BUD4608	TSL0107;TSL 0107	1120 mm (44,1 in)	955 mm (37,6 in)	1634 mm (64,3 in)	Double	2000 kg (4409 lb)	345 kg (761 lb)
BUD4609	TSL0109;TSL 0109	1120 mm (44,1 in)	955 mm (37,6 in)	2837 mm (111,7 in)	Double	1200 kg (2646 lb)	370 kg (816 lb)
BUD4610	TSL0111;TSL 0111	1120 mm (44,1 in)	955 mm (37,6 in)	4987 mm (196,3 in)	Double	600 kg (1323 lb)	460 kg (1014 lb)
BUD4621	TSL0119;TSL 0119	1120 mm (44,1 in)	955 mm (37,6 in)	2836 mm (111,7 in)	Double	1500 kg (3307 lb)	420 kg (926 lb)

## Hooks

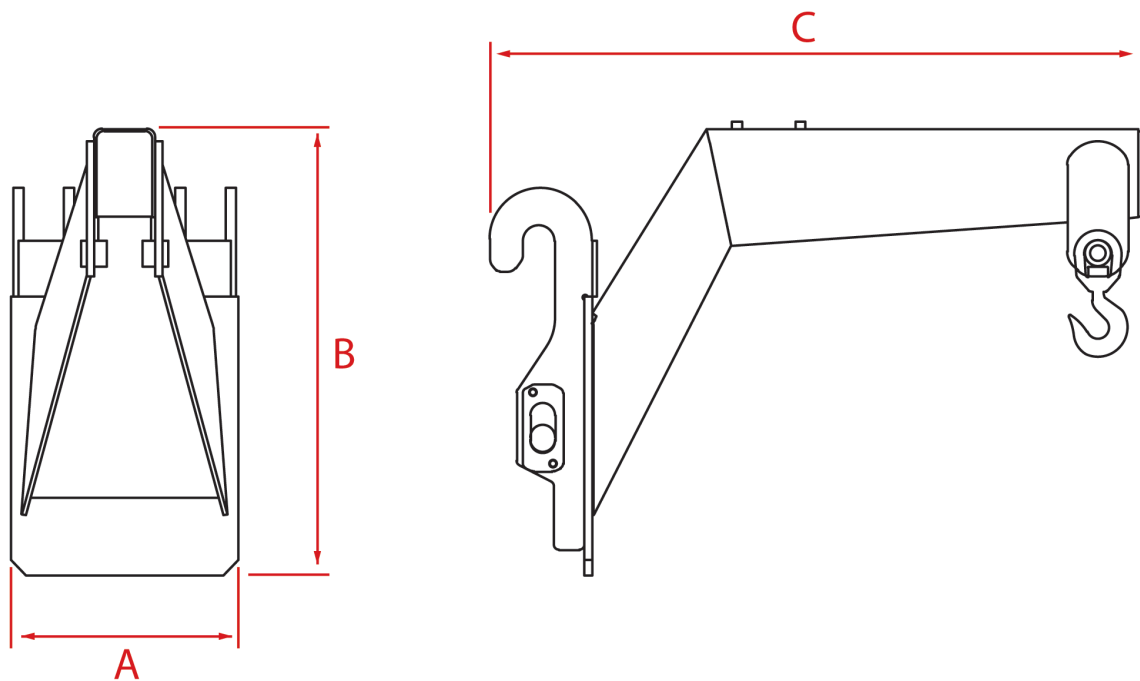
### Jib with hook

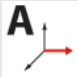






This equipment has been designed to handle heavy and cantilever loads.

Equipped with 360° rotating hook and load limiter, it is particularly suitable for the nursery sector.

**Technical Data**



	Code					
BUD4479	TSL0022;TSL0038	460 mm (18,1 in)	700 mm (27,6 in)	1320 mm (52,0 in)	2500 kg (5512 lb)	162 kg (357 lb)
BUD4496	TSL0006	460 mm (18,1 in)	700 mm (27,6 in)	1320 mm (52,0 in)	2500 kg (5512 lb)	162 kg (357 lb)
BUD4497	TSL0043;TSL0043	700 mm (27,6 in)	798 mm (31,4 in)	1301 mm (51,2 in)	2000 kg (4409 lb)	140 kg (309 lb)
BUD4498	TSL0018	450 mm (17,7 in)	930 mm (36,6 in)	1297 mm (51,1 in)	3000 kg (6614 lb)	160 kg (353 lb)
BUD4499	TSL0020	481 mm (18,9 in)	880 mm (34,6 in)	1697 mm (66,8 in)	3000 kg (6614 lb)	180 kg (397 lb)
BUD4571	TSL0077;TSL0077	460 mm (18,1 in)	880 mm (34,6 in)	1290 mm (50,8 in)	3000 kg (6614 lb)	180 kg (397 lb)
BUD4576	TSL0083;TSL0083	450 mm (17,7 in)	880 mm (34,6 in)	1320 mm (52,0 in)	3000 kg (6614 lb)	180 kg (397 lb)
BUD4577	TSL0084;TSL0084	481 mm (18,9 in)	880 mm (34,6 in)	1697 mm (66,8 in)	3000 kg (6614 lb)	180 kg (397 lb)
BUD4598	TSL0097;TSL0097	460 mm (18,1 in)	700 mm (27,6 in)	1320 mm (52,0 in)	2500 kg (5512 lb)	162 kg (357 lb)
BUD4623	TSL0115;TSL0115	460 mm (18,1 in)	880 mm (34,6 in)	1320 mm (52,0 in)	2500 kg (5512 lb)	180 kg (397 lb)
BUD4624	TSL0117;TSL0117	1120 mm (44,1 in)	879 mm (34,6 in)	1292 mm (50,9 in)	3000 kg (6614 lb)	200 kg (441 lb)
BUD4628	TSL0123;TSL0123	700 mm (27,6 in)	798 mm (31,4 in)	1301 mm (51,2 in)	2000 kg (4409 lb)	140 kg (309 lb)

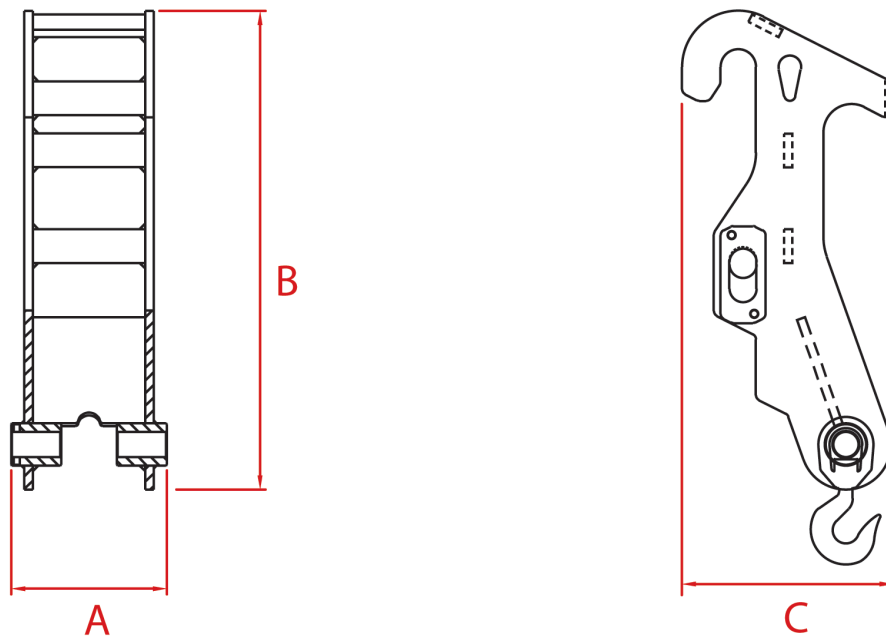
BUD4639	TSL0128;TSL0128	1550 mm (61,0 in)	1170 mm (46,1 in)	2965 mm (116,7 in)	6000 kg (13228 lb)	900 kg (1984 lb)
---------	-----------------	-------------------	-------------------	--------------------	--------------------	------------------





## Hook for forks holding plate



This equipment has been designed to handle suspended loads in total safety thanks to the sturdy structure and the 360° rotating hook with locking tab.



**Technical Data**

	Code	<b>A</b> 	<b>B</b> 	<b>C</b> 	
BUB2448	TSL0007	277 mm (10,9 in)	850 mm (33,5 in)	377 mm (14,8 in)	60 kg (132 lb)
BUB2449	TSL0019	334 mm (13,1 in)	334 mm (13,1 in)	862 mm (33,9 in)	82 kg (181 lb)

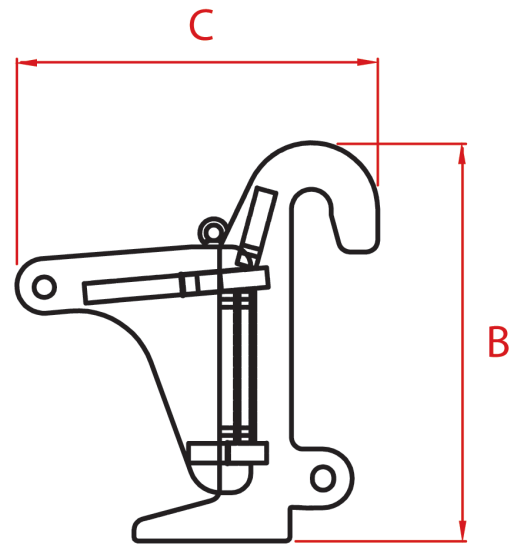
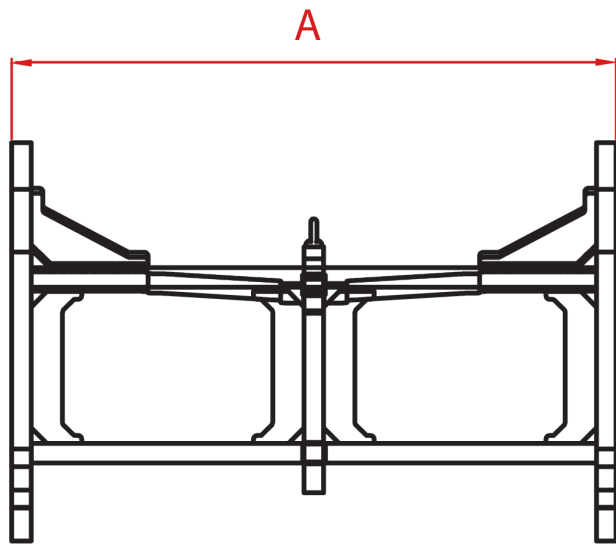






## Hook for wide forks holding plate



This equipment has been designed to handle suspended loads in total safety thanks to the sturdy structure and the 360° rotating hook with locking tab.

## Technical Data



	Code				
BUB2516	TSL0067;TSL0126	1550 mm (61,0 in)	925 mm (36,4 in)	1020 mm (40,2 in)	575 kg (1268 lb)
BUB2517	TSL0068;TSL0068	1550 mm (61,0 in)	925 mm (36,4 in)	1020 mm (40,2 in)	575 kg (1268 lb)
BUB2631	TSL0045;TSL0045	1200 mm (47,2 in)	907 mm (35,7 in)	440 mm (17,3 in)	170 kg (375 lb)
BUB2632	TSL0046;TSL0046	1050 mm (41,3 in)	895 mm (35,2 in)	434 mm (17,1 in)	120 kg (265 lb)
BUB2747	TSL0044;TSL0073	620 mm (24,4 in)	825 mm (32,5 in)	448 mm (17,6 in)	115 kg (254 lb)
BUB2792	TSL0091;TSL0091	1550 mm (61,0 in)	1020 mm (40,2 in)	965 mm (38,0 in)	590 kg (1301 lb)
BUB2798	TSL0098;TSL0116	1120 mm (44,1 in)	825 mm (32,5 in)	434 mm (17,1 in)	125 kg (276 lb)
BUB2802	TSL0118;TSL0118	1120 mm (44,1 in)	895 mm (35,2 in)	434 mm (17,1 in)	125 kg (276 lb)
BUB2803	TSL0121;TSL0121	1120 mm (44,1 in)	895 mm (35,2 in)	435 mm (17,1 in)	125 kg (276 lb)
BUB2808	TSL0124;TSL0124	720 mm (28,3 in)	825 mm (32,5 in)	448 mm (17,6 in)	103 kg (227 lb)
BUB2823	TSL0129;TSL0129	1560 mm (61,4 in)	1020 mm (40,2 in)	925 mm (36,4 in)	560 kg (1235 lb)
BUB2825	TSL0132;TSL0132	1560 mm (61,4 in)	1020 mm (40,2 in)	925 mm (36,4 in)	560 kg (1235 lb)

## Crane extension with hook



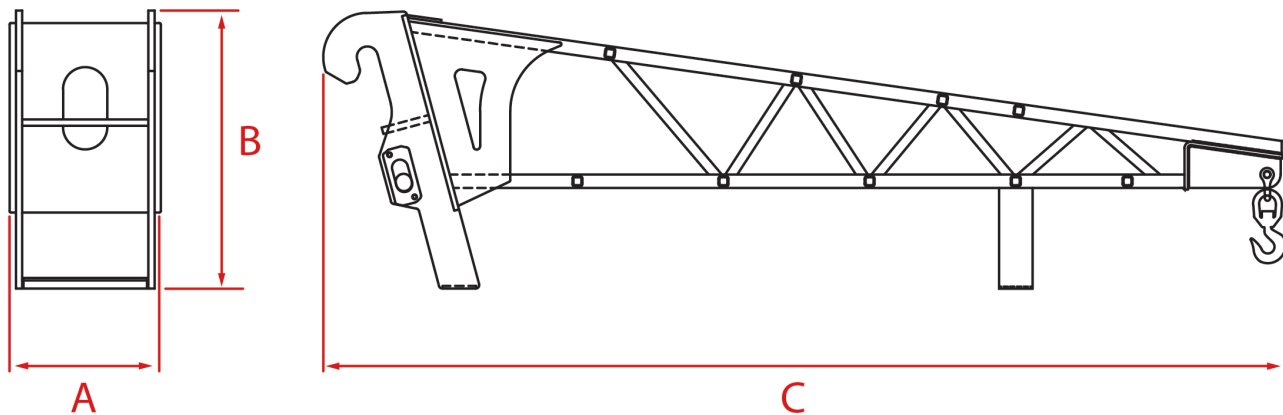
This equipment has been designed for lifting, transport and positioning suspended loads.

The jib crane structure helps to contain the weight of the equipment while maintaining excellent rigidity.

The 360° swivel hook with locking tab and the standard load limiter ensure maximum safety.



## Technical Data



	Code					
BUD4410	TSL0065;TSL0065	1150 mm (45,3 in)	1550 mm (61,0 in)	2965 mm (116,7 in)	6000 kg (13228 lb)	920 kg (2028 lb)
BUD4439	TSL0064;TSL0064	1550 mm (61,0 in)	1170 mm (46,1 in)	2965 mm (116,7 in)	4000 kg (8818 lb)	895 kg (1973 lb)
BUD4482	TSL0024;TSL0032	640 mm (25,2 in)	850 mm (33,5 in)	1650 mm (65,0 in)	2000 kg (4409 lb)	142 kg (313 lb)
BUD4483	TSL0026;TSL0034	640 mm (25,2 in)	870 mm (34,3 in)	2850 mm (112,2 in)	1200 kg (2646 lb)	168 kg (370 lb)
BUD4484	TSL0028;TSL0036	730 mm (28,7 in)	950 mm (37,4 in)	5000 mm (196,9 in)	600 kg (1323 lb)	252 kg (556 lb)
BUD4502	TSL0002	650 mm (25,6 in)	870 mm (34,3 in)	1500 mm (59,1 in)	2000 kg (4409 lb)	160 kg (353 lb)
BUD4504	TSL0004	640 mm (25,2 in)	870 mm (34,3 in)	2850 mm (112,2 in)	1200 kg (2646 lb)	182 kg (401 lb)
BUD4506	TSL0009	730 mm (28,7 in)	950 mm (37,4 in)	5000 mm (196,9 in)	600 kg (1323 lb)	260 kg (573 lb)
BUD4510	TSL0012	480 mm (18,9 in)	825 mm (32,5 in)	1648 mm (64,9 in)	2000 kg (4409 lb)	150 kg (331 lb)
BUD4512	TSL0014	480 mm (18,9 in)	825 mm (32,5 in)	2848 mm (112,1 in)	1200 kg (2646 lb)	162 kg (357 lb)
BUD4519	TSL0040	700 mm (27,6 in)	864 mm (34,0 in)	1648 mm (64,9 in)	1800 kg (3968 lb)	162 kg (357 lb)
BUD4521	TSL0042	700 mm (27,6 in)	864 mm (34,0 in)	2821 mm (111,1 in)	1100 kg (2425 lb)	185 kg (408 lb)
BUD4567	TSL0075;TSL0075	650 mm (25,6 in)	870 mm (34,3 in)	1500 mm (59,1 in)	2000 kg (4409 lb)	160 kg (353 lb)
BUD4570	TSL0076;TSL0076	640 mm (25,2 in)	870 mm (34,3 in)	2850 mm (112,2 in)	1200 kg (2646 lb)	182 kg (401 lb)
BUD4574	TSL0081;TSL0081	660 mm (26,0 in)	957 mm (37,7 in)	1660 mm (65,4 in)	1300 kg (2866 lb)	190 kg (419 lb)

BUD4575	TSL0082;TSL0082	415 mm (16,3 in)	957 mm (37,7 in)	2869 mm (113,0 in)	1200 kg (2646 lb)	230 kg (507 lb)
BUD4590	TSL0090;TSL0090	980 mm (38,6 in)	1170 mm (46,1 in)	2965 mm (116,7 in)	1200 kg (2646 lb)	890 kg (1962 lb)
BUD4595	TSL0094;TSL0094	650 mm (25,6 in)	870 mm (34,3 in)	1500 mm (59,1 in)	2000 kg (4409 lb)	160 kg (353 lb)
BUD4596	TSL0095;TSL0095	640 mm (25,2 in)	870 mm (34,3 in)	2850 mm (112,2 in)	1200 kg (2646 lb)	182 kg (401 lb)
BUD4597	TSL0096;TSL0096	730 mm (28,7 in)	950 mm (37,4 in)	5000 mm (196,9 in)	600 kg (1323 lb)	260 kg (573 lb)
BUD4619	TSL0108;TSL0108	1120 mm (44,1 in)	955 mm (37,6 in)	1624 mm (63,9 in)	2000 kg (4409 lb)	185 kg (408 lb)
BUD4620	TSL0110;TSL0110	1120 mm (44,1 in)	960 mm (37,8 in)	2850 mm (112,2 in)	1200 kg (2646 lb)	220 kg (485 lb)
BUD4622	TSL0112;TSL0112	1120 mm (44,1 in)	955 mm (37,6 in)	4987 mm (196,3 in)	600 kg (1323 lb)	340 kg (750 lb)
BUD4629	TSL0125;TSL0125	980 mm (38,6 in)	1170 mm (46,1 in)	2965 mm (116,7 in)	600 kg (1323 lb)	900 kg (1984 lb)

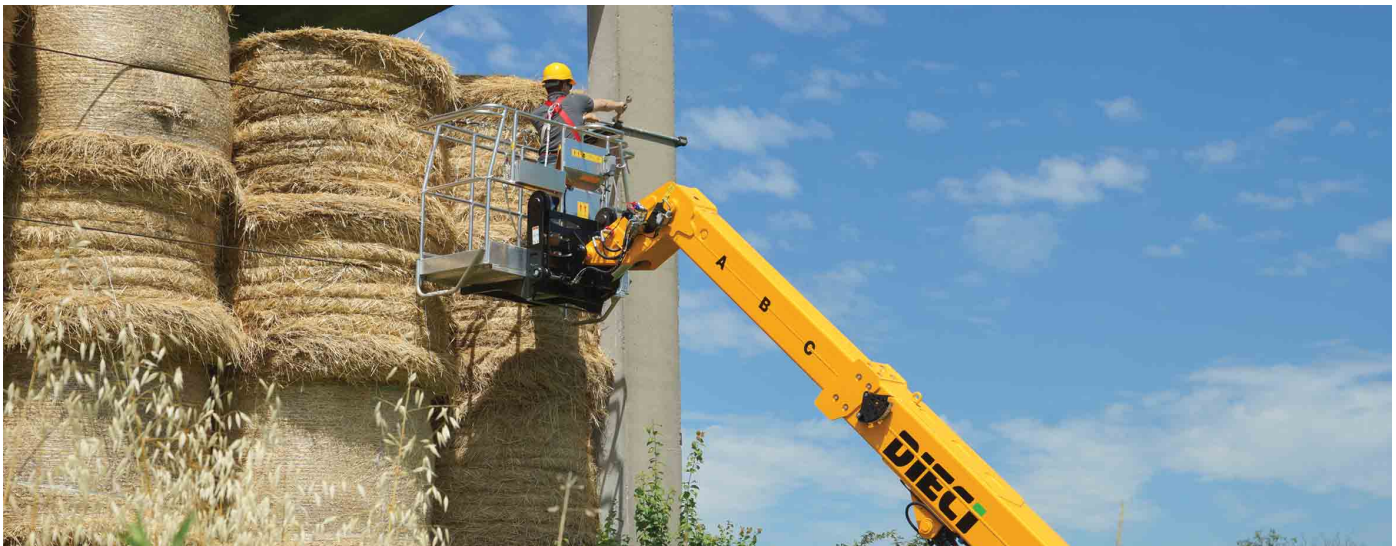
## Baskets

### Front baskets

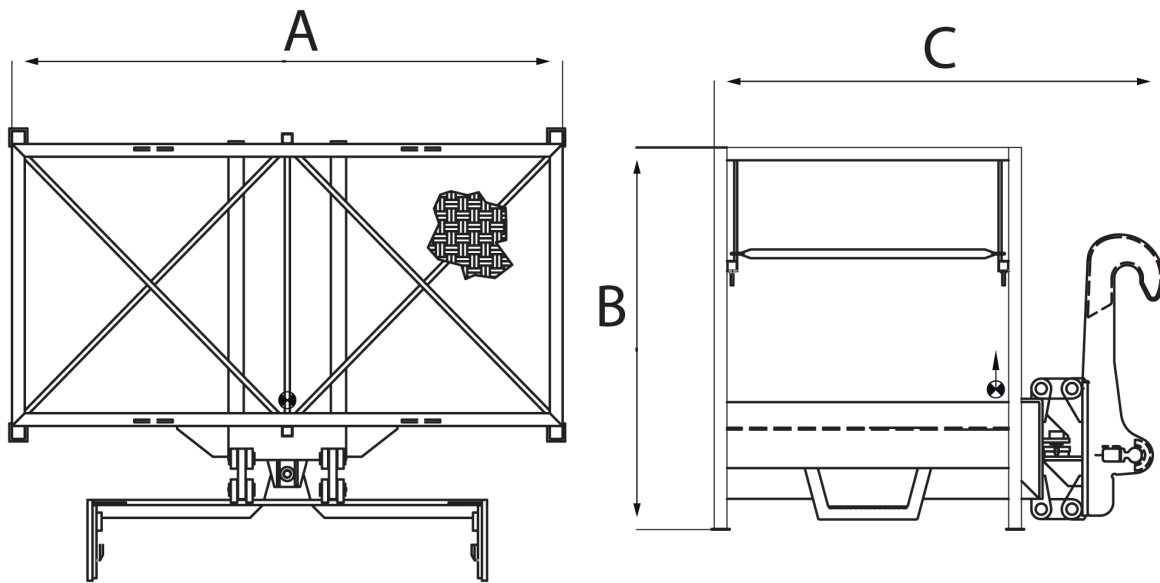
#### Front Basket



Front basket suitable to transport people and materials.



**Technical Data**



	Code	A	B	C	A	C			
BUD6416	TCS0022	2150 mm (84,6 in)	1490 mm (58,7 in)	1663 mm (65,5 in)	2150 mm (84,6 in)	1200 mm (47,2 in)	3	300 kg (661 lb)	405 kg (893 lb)
BUD6417	TCS0005	2150 mm (84,6 in)	1490 mm (58,7 in)	1663 mm (65,5 in)	2150 mm (84,6 in)	1200 mm (47,2 in)	3	300 kg (661 lb)	405 kg (893 lb)
BUD6445	TCS0001	1540 mm (60,6 in)	1313 mm (51,7 in)	995 mm (39,2 in)	1400 mm (55,1 in)	700 mm (27,6 in)	2	200 kg (441 lb)	110 kg (243 lb)
BUD6448	TCS0004	2150 mm (84,6 in)	1490 mm (58,7 in)	1663 mm (65,5 in)	2150 mm (84,6 in)	1200 mm (47,2 in)	3	300 kg (661 lb)	405 kg (893 lb)
BUD6465	TCS0003	2150 mm (84,6 in)	1490 mm (58,7 in)	1653 mm (65,1 in)	2150 mm (84,6 in)	1200 mm (47,2 in)	3	300 kg (661 lb)	405 kg (893 lb)
BUD6466	TCS0044	1540 mm (60,6 in)	1313 mm (51,7 in)	975 mm (38,4 in)	1400 mm (55,1 in)	700 mm (27,6 in)	2	200 kg (441 lb)	125 kg (276 lb)
BUD6485	TCS0017	2150 mm (84,6 in)	1490 mm (58,7 in)	1653 mm (65,1 in)	2150 mm (84,6 in)	1200 mm (47,2 in)	3	300 kg (661 lb)	405 kg (893 lb)
BUD6492	TCS0069	2150 mm (84,6 in)	1490 mm (58,7 in)	1653 mm (65,1 in)	2150 mm (84,6 in)	1200 mm (47,2 in)	3	300 kg (661 lb)	405 kg (893 lb)
BUD6494	TCS0066	2150 mm (84,6 in)	1490 mm (58,7 in)	1753 mm (69,0 in)	2150 mm (84,6 in)	1200 mm (47,2 in)	3	1000 kg (2205 lb)	537 kg (1184 lb)
BUD6495	TCS0071	2150 mm (84,6 in)	1490 mm (58,7 in)	1753 mm (69,0 in)	2150 mm (84,6 in)	1200 mm (47,2 in)	3	1000 kg (2205 lb)	537 kg (1184 lb)
BUD6502	TCS0086	1400 mm (55,1 in)	1320 mm (52,0 in)	105 mm (4,1 in)	1400 mm (55,1 in)	700 mm (27,6 in)	2	200 kg (441 lb)	125 kg (276 lb)
BUD6508	TCS0091	1540 mm (60,6 in)	1313 mm (51,7 in)	995 mm (39,2 in)	1400 mm (55,1 in)	700 mm (27,6 in)	2	200 kg (441 lb)	110 kg (243 lb)

BUD6510	TCS0124	1540 mm (60,6 in)	1313 mm (51,7 in)	995 mm (39,2 in)	1400 mm (55,1 in)	700 mm (27,6 in)	2	200 kg (441 lb)	110 kg (243 lb)
BUD6511	TCS0095	1540 mm (60,6 in)	1313 mm (51,7 in)	995 mm (39,2 in)	1400 mm (55,1 in)	700 mm (27,6 in)	2	200 kg (441 lb)	110 kg (243 lb)
BUD6512	TCS0096	2150 mm (84,6 in)	1490 mm (58,7 in)	1653 mm (65,1 in)	2150 mm (84,6 in)	1200 mm (47,2 in)	3	300 kg (661 lb)	405 kg (893 lb)
BUD6526	TCS0089	2150 mm (84,6 in)	1490 mm (58,7 in)	1653 mm (65,1 in)	2150 mm (84,6 in)	1200 mm (47,2 in)	3	300 kg (661 lb)	405 kg (893 lb)
BUD6527	TCS0125	2150 mm (84,6 in)	1490 mm (58,7 in)	1653 mm (65,1 in)	2150 mm (84,6 in)	1200 mm (47,2 in)	3	300 kg (661 lb)	405 kg (893 lb)
BUD6535	TCS0123	1540 mm (60,6 in)	1313 mm (51,7 in)	995 mm (39,2 in)	1400 mm (55,1 in)	700 mm (27,6 in)	2	200 kg (441 lb)	110 kg (243 lb)
BUD6545	TCS0164	1400 mm (55,1 in)	1320 mm (52,0 in)	1050 mm (41,3 in)	1400 mm (55,1 in)	700 mm (27,6 in)	2	200 kg (441 lb)	125 kg (276 lb)
BUD6546	TCS0138	2150 mm (84,6 in)	1490 mm (58,7 in)	1663 mm (65,5 in)	2150 mm (84,6 in)	1200 mm (47,2 in)	3	300 kg (661 lb)	405 kg (893 lb)
BUD6547	TCS0139	2150 mm (84,6 in)	1490 mm (58,7 in)	1663 mm (65,5 in)	2150 mm (84,6 in)	1200 mm (47,2 in)	3	405 kg (893 lb)	300 kg (661 lb)
BUD6570	TCS0165	2150 mm (84,6 in)	1490 mm (58,7 in)	1653 mm (65,1 in)	2150 mm (84,6 in)	1200 mm (47,2 in)	3	300 kg (661 lb)	405 kg (893 lb)
BUD6576	TCS0171	2150 mm (84,6 in)	1490 mm (58,7 in)	1753 mm (69,0 in)	2150 mm (84,6 in)	1200 mm (47,2 in)	3	1000 kg (2205 lb)	537 kg (1184 lb)
BUD6577	TCS0172	2150 mm (84,6 in)	1490 mm (58,7 in)	1753 mm (69,0 in)	2150 mm (84,6 in)	1200 mm (47,2 in)	3	1000 kg (2205 lb)	537 kg (1184 lb)
BUD6580	TCS0176	2150 mm (84,6 in)	1490 mm (58,7 in)	1753 mm (69,0 in)	2150 mm (84,6 in)	1200 mm (47,2 in)	3	1000 kg (2205 lb)	537 kg (1184 lb)
BUD6581	TCS0177	2150 mm (84,6 in)	1490 mm (58,7 in)	1753 mm (69,0 in)	2150 mm (84,6 in)	1200 mm (47,2 in)	3	1000 kg (2205 lb)	537 kg (1184 lb)

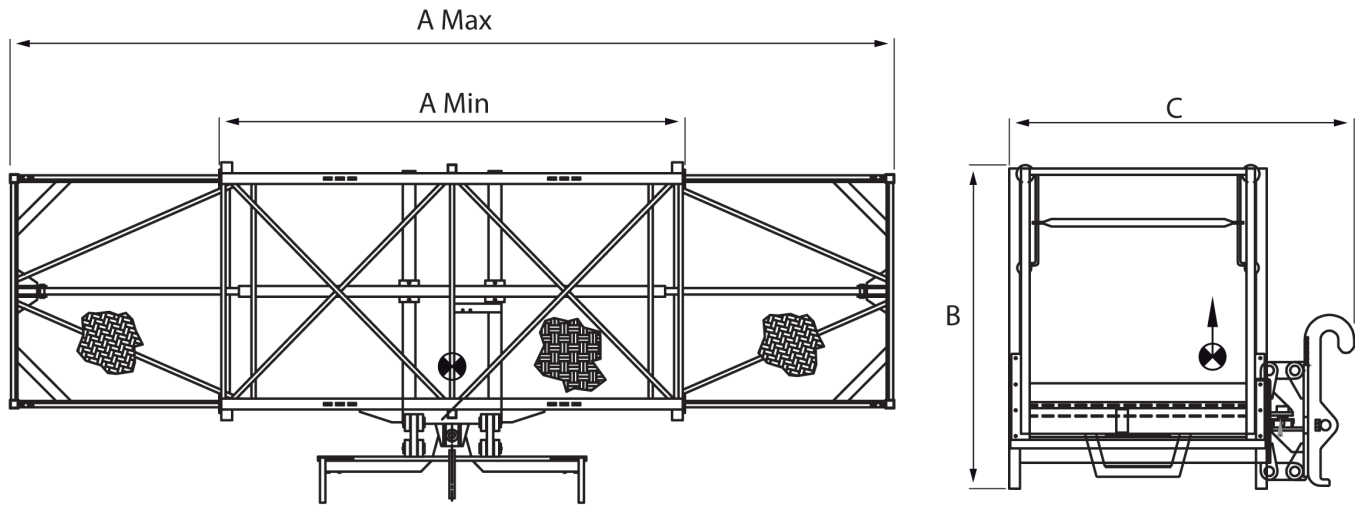


## Extensible Front basket



Extensible front basket hydraulically suitable for transporting people and materials.

## Technical Data



	Code	A	B	C	A	A <sup>max</sup>	C				
BUD6418	TCS0024	2410 mm (94,9 in)	1490 mm (58,7 in)	1587 mm (62,5 in)	2400 mm (94,5 in)	4120 mm (162,2 in)	1200 mm (47,2 in)	Hydraulic	3	300 kg (661 lb)	525 kg (1157 lb)
BUD6419	TCS0007	2410 mm (94,9 in)	1490 mm (58,7 in)	1587 mm (62,5 in)	2400 mm (94,5 in)	4120 mm (162,2 in)	1200 mm (47,2 in)	Hydraulic	3	300 kg (661 lb)	525 kg (1157 lb)
BUD6450	TCS0006	2410 mm (94,9 in)	1490 mm (58,7 in)	1587 mm (62,5 in)	2400 mm (94,5 in)	4120 mm (162,2 in)	1200 mm (47,2 in)	Hydraulic	3	300 kg (661 lb)	525 kg (1157 lb)
BUD6486	TCS0018	2410 mm (94,9 in)	1490 mm (58,7 in)	1607 mm (63,3 in)	2400 mm (94,5 in)	4120 mm (162,2 in)	1200 mm (47,2 in)	Hydraulic	3	300 kg (661 lb)	525 kg (1157 lb)
BUD6513	TCS0097	2410 mm (94,9 in)	1490 mm (58,7 in)	1587 mm (62,5 in)	2400 mm (94,5 in)	4120 mm (162,2 in)	1200 mm (47,2 in)	Hydraulic	3	300 kg (661 lb)	525 kg (1157 lb)
BUD6514	TCS0098	2410 mm (94,9 in)	1490 mm (58,7 in)	1587 mm (62,5 in)	2400 mm (94,5 in)	4120 mm (162,2 in)	1200 mm (47,2 in)	Hydraulic	3	300 kg (661 lb)	525 kg (1157 lb)
BUD6528	TCS0126	2410 mm (94,9 in)	1490 mm (58,7 in)	1587 mm (62,5 in)	2400 mm (94,5 in)	4120 mm (162,2 in)	1200 mm (47,2 in)	Hydraulic	3	300 kg (661 lb)	525 kg (1157 lb)

BUD6529	TCS0127	2410 mm (94,9 in)	1490 mm (58,7 in)	1587 mm (62,5 in)	2400 mm (94,5 in)	4120 mm (162,2 in)	1200 mm (47,2 in)	Hydraulic	3	300 kg (661 lb)	525 kg (1157 lb)
BUD6548	TCS0140	2410 mm (94,9 in)	1490 mm (58,7 in)	1587 mm (62,5 in)	2400 mm (94,5 in)	4120 mm (162,2 in)	1200 mm (47,2 in)	hydraulic	3	300 kg (661 lb)	525 kg (1157 lb)
BUD6549	TCS0141	2410 mm (94,9 in)	1490 mm (58,7 in)	1587 mm (62,5 in)	2400 mm (94,5 in)	4120 mm (162,2 in)	1200 mm (47,2 in)	hydraulic	3	300 kg (661 lb)	525 kg (1157 lb)
BUD6571	TCS0166	2410 mm (94,9 in)	1490 mm (58,7 in)	1607 mm (63,3 in)	2400 mm (94,5 in)	4120 mm (162,2 in)	1200 mm (47,2 in)	hydraulic	3	300 kg (661 lb)	525 kg (1157 lb)

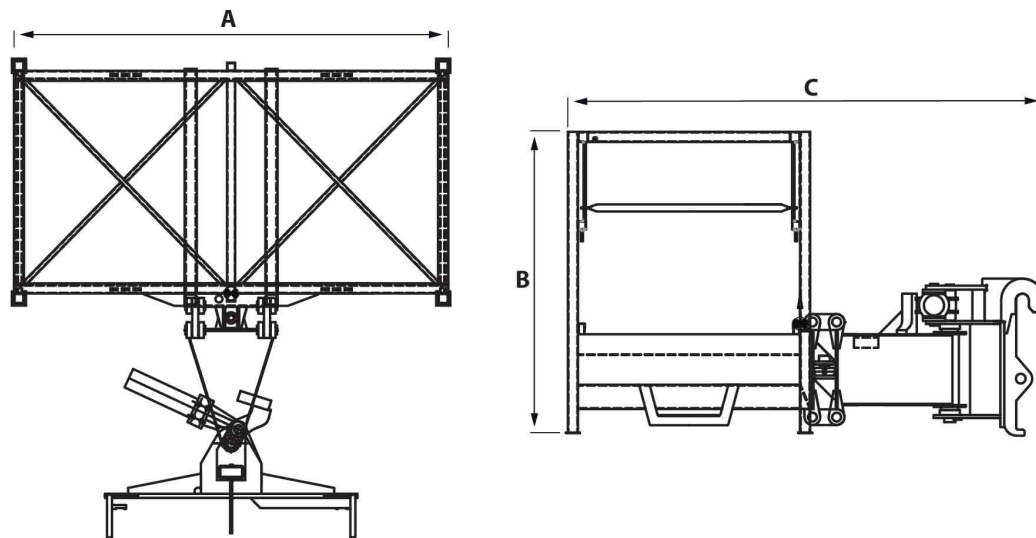
## Trilateral baskets









### Trilateral Basket

Trilateral hydraulic rotation basket suitable for transporting people and materials at height.



**Technical Data**



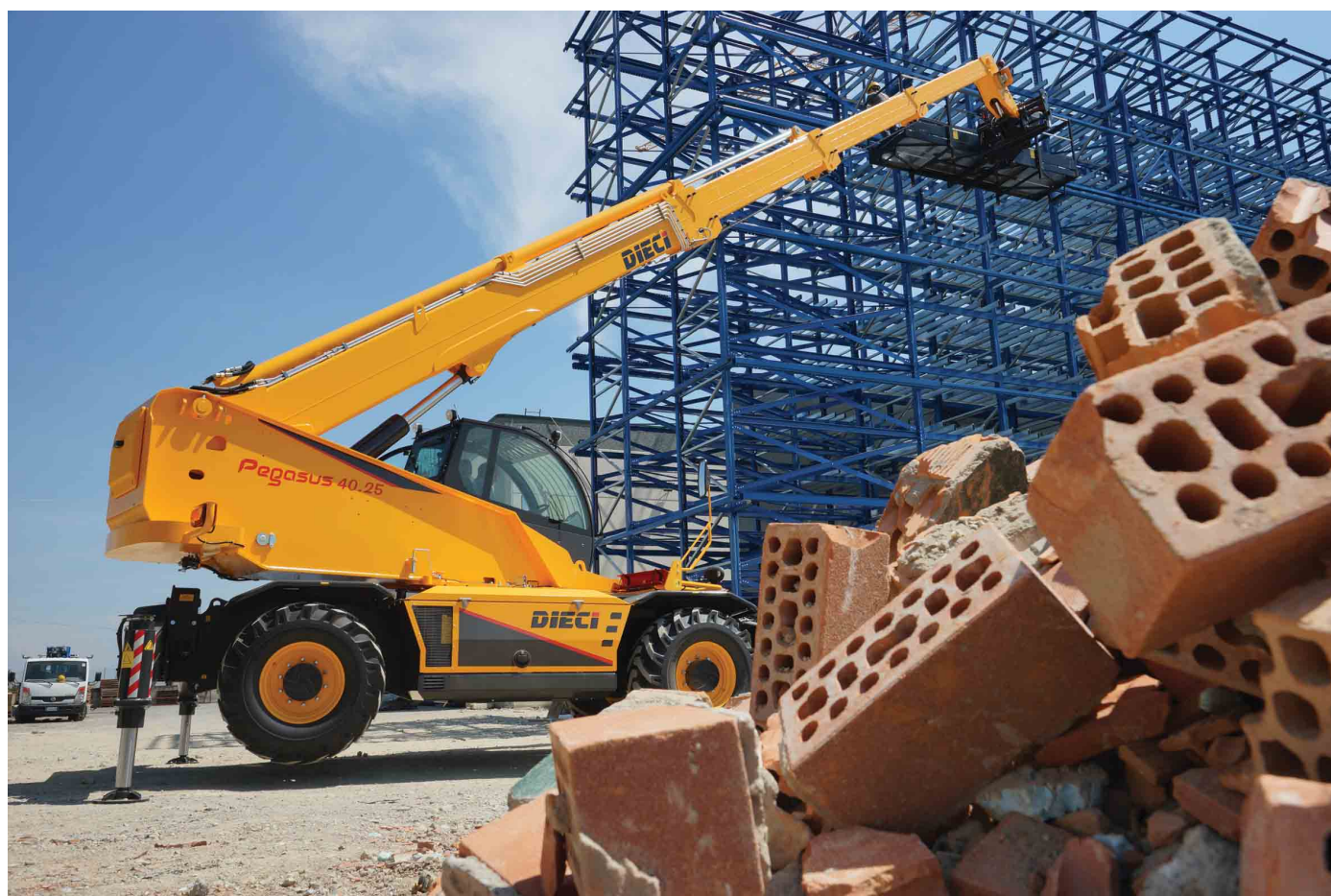
	Code								
BUD6420	TCS0047	2150 mm (84,6 in)	1490 mm (58,7 in)	2552 mm (100,5 in)	2150 mm (84,6 in)	1200 mm (47,2 in)	3	1000 kg (2205 lb)	700 kg (1543 lb)
BUD6421	TCS0048	2150 mm (84,6 in)	1490 mm (58,7 in)	2552 mm (100,5 in)	2150 mm (84,6 in)	1200 mm (47,2 in)	3	1000 kg (2205 lb)	700 kg (1543 lb)
BUD6422	TCS0026	2150 mm (84,6 in)	1490 mm (58,7 in)	2357 mm (92,8 in)	2150 mm (84,6 in)	1200 mm (47,2 in)	3	300 kg (661 lb)	550 kg (1213 lb)
BUD6423	TCS0009	2150 mm (84,6 in)	1490 mm (58,7 in)	2357 mm (92,8 in)	2150 mm (84,6 in)	1200 mm (47,2 in)	3	300 kg (661 lb)	550 kg (1213 lb)
BUD6440	TCS0075	2150 mm (84,6 in)	1500 mm (59,1 in)	2552 mm (100,5 in)	2400 mm (94,5 in)	1200 mm (47,2 in)	3	800 kg (1764 lb)	685 kg (1510 lb)
BUD6441	TCS0039;T CS0076	2150 mm (84,6 in)	1500 mm (59,1 in)	2552 mm (100,5 in)	2400 mm (94,5 in)	1200 mm (47,2 in)	3	800 kg (1764 lb)	685 kg (1510 lb)
BUD6452	TCS0008	2150 mm (84,6 in)	1490 mm (58,7 in)	2357 mm (92,8 in)	2150 mm (84,6 in)	1200 mm (47,2 in)	3	300 kg (661 lb)	550 kg (1213 lb)
BUD6487	TCS0019	2150 mm (84,6 in)	1490 mm (58,7 in)	2373 mm (93,4 in)	2150 mm (84,6 in)	1200 mm (47,2 in)	3	300 kg (661 lb)	550 kg (1213 lb)
BUD6493	TCS0070	2150 mm (84,6 in)	1500 mm (59,1 in)	2552 mm (100,5 in)	2050 mm (80,7 in)	1000 mm (39,4 in)	3	800 kg (1764 lb)	685 kg (1510 lb)
BUD6515	TCS0099	2150 mm (84,6 in)	1490 mm (58,7 in)	2373 mm (93,4 in)	2150 mm (84,6 in)	1200 mm (47,2 in)	3	300 kg (661 lb)	550 kg (1213 lb)
BUD6516	TCS0100	2150 mm (84,6 in)	1490 mm (58,7 in)	2373 mm (93,4 in)	2150 mm (84,6 in)	1200 mm (47,2 in)	3	300 kg (661 lb)	550 kg (1213 lb)
BUD6530	TCS0128	2150 mm (84,6 in)	1490 mm (58,7 in)	2373 mm (93,4 in)	2150 mm (84,6 in)	1200 mm (47,2 in)	3	300 kg (661 lb)	550 kg (1213 lb)
BUD6531	TCS0129	2150 mm (84,6 in)	1490 mm (58,7 in)	2373 mm (93,4 in)	2150 mm (84,6 in)	1200 mm (47,2 in)	3	300 kg (661 lb)	550 kg (1213 lb)
BUD6550	TCS0142	2150 mm (84,6 in)	1490 mm (58,7 in)	2357 mm (92,8 in)	2150 mm (84,6 in)	1200 mm (47,2 in)	3	300 kg (661 lb)	550 kg (1213 lb)

BUD6551	TCS0143	2150 mm (84,6 in)	1490 mm (58,7 in)	2357 mm (92,8 in)	2150 mm (84,6 in)	1200 mm (47,2 in)	3	300 kg (661 lb)	550 kg (1213 lb)
BUD6556	TCS0146	2150 mm (84,6 in)	1500 mm (59,1 in)	2552 mm (100,5 in)	2400 mm (94,5 in)	1200 mm (47,2 in)	3	800 kg (1764 lb)	685 kg (1510 lb)
BUD6557	TCS0147	2150 mm (84,6 in)	1500 mm (59,1 in)	2552 mm (100,5 in)	2400 mm (94,5 in)	1200 mm (47,2 in)	3	800 kg (1764 lb)	685 kg (1510 lb)
BUD6560	TCS0161	2150 mm (84,6 in)	1490 mm (58,7 in)	2552 mm (100,5 in)	2150 mm (84,6 in)	1200 mm (47,2 in)	3	1000 kg (2205 lb)	700 kg (1543 lb)
BUD6561	TCS0162	2150 mm (84,6 in)	1490 mm (58,7 in)	2552 mm (100,5 in)	2150 mm (84,6 in)	1200 mm (47,2 in)	3	1000 kg (2205 lb)	700 kg (1543 lb)
BUD6572	TCS0167	2150 mm (84,6 in)	1490 mm (58,7 in)	2373 mm (93,4 in)	2150 mm (84,6 in)	1200 mm (47,2 in)	3	300 kg (661 lb)	550 kg (1213 lb)
BUD6574	TCS0169	2150 mm (84,6 in)	1500 mm (59,1 in)	2552 mm (100,5 in)	2050 mm (80,7 in)	1000 mm (39,4 in)	3	800 kg (1764 lb)	685 kg (1510 lb)

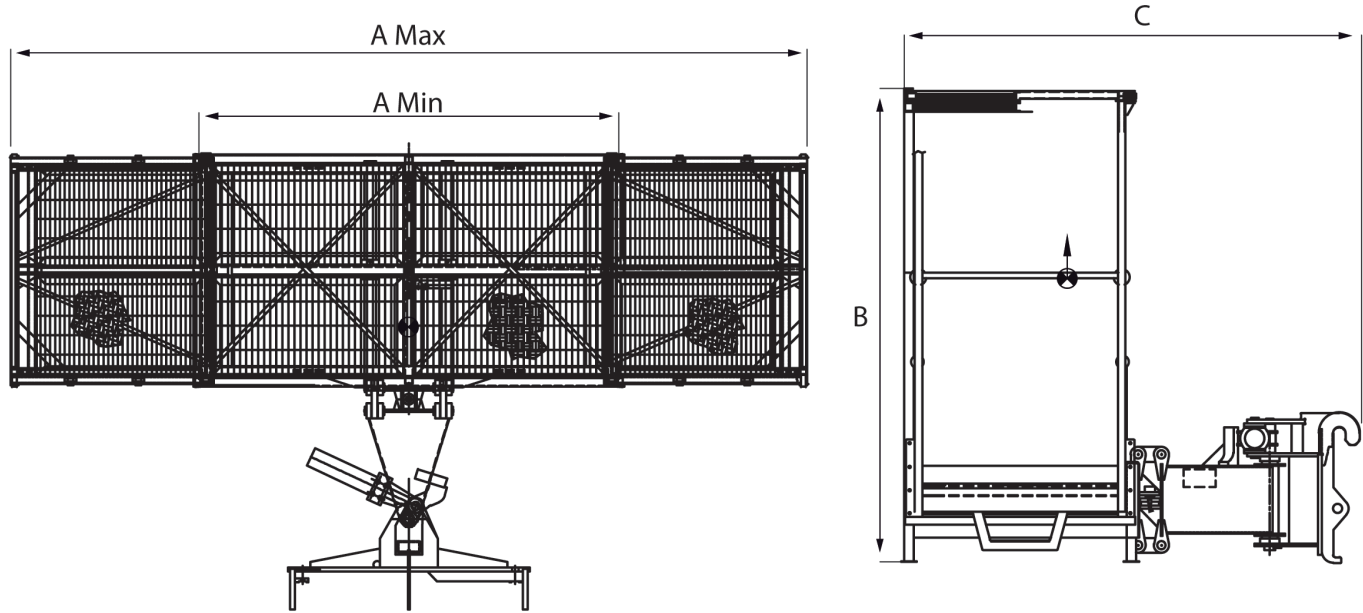
## Extensible Trilateral basket



Trilateral hydraulic rotation basket, extensible by hydraulic cylinders, suitable for transporting people and materials at height.



## Technical Data



	Code	A	B	C	A	A <sup>max</sup>	C				
BUD6424	TCS0046	2470 mm (97,2 in)	1490 mm (58,7 in)	2552 mm (100,5 in)	2400 mm (94,5 in)	5800 mm (228,3 in)	1200 mm (47,2 in)	Hydraulic and Manual	3	300 kg (661 lb)	1165 kg (2568 lb)
BUD6425	TCS0015	2470 mm (97,2 in)	1490 mm (58,7 in)	2552 mm (100,5 in)	2400 mm (94,5 in)	5800 mm (228,3 in)	1200 mm (47,2 in)	Hydraulic and Manual	3	300 kg (661 lb)	1165 kg (2568 lb)
BUD6426	TCS0028	2410 mm (94,9 in)	1490 mm (58,7 in)	2354 mm (92,7 in)	2400 mm (94,5 in)	4120 mm (162,2 in)	1200 mm (47,2 in)	Hydraulic	3	300 kg (661 lb)	685 kg (1510 lb)
BUD6427	TCS0011	2410 mm (94,9 in)	1490 mm (58,7 in)	2354 mm (92,7 in)	2400 mm (94,5 in)	4120 mm (162,2 in)	1200 mm (47,2 in)	Hydraulic	3	300 kg (661 lb)	685 kg (1510 lb)
BUD6428	TCS0030	2400 mm (94,5 in)	1409 mm (55,5 in)	2550 mm (100,4 in)	2400 mm (94,5 in)	4116 mm (162,0 in)	1200 mm (47,2 in)	Hydraulic	3	800 kg (1764 lb)	985 kg (2172 lb)
BUD6429	TCS0013	2400 mm (94,5 in)	1409 mm (55,5 in)	2550 mm (100,4 in)	2400 mm (94,5 in)	4116 mm (162,0 in)	1200 mm (47,2 in)	Hydraulic	3	800 kg (1764 lb)	985 kg (2172 lb)
BUD6454	TCS0010	2410 mm (94,9 in)	1490 mm (58,7 in)	2354 mm (92,7 in)	2400 mm (94,5 in)	4120 mm (162,2 in)	1200 mm (47,2 in)	Hydraulic	3	300 kg (661 lb)	685 kg (1510 lb)



BUD6456	TCS0012	2400 mm (94,5 in)	1409 mm (55,5 in)	2550 mm (100,4 in)	2400 mm (94,5 in)	4116 mm (162,0 in)	1200 mm (47,2 in)	Hydraulic	3	800 kg (1764 lb)	985 kg (2172 lb)
BUD6458	TCS0014	2470 mm (97,2 in)	1490 mm (58,7 in)	2552 mm (100,5 in)	2400 mm (94,5 in)	5800 mm (228,3 in)	1200 mm (47,2 in)	Hydraulic and Manual	3	300 kg (661 lb)	1165 kg (2568 lb)
BUD6488	TCS0020	2410 mm (94,9 in)	1490 mm (58,7 in)	2376 mm (93,5 in)	2400 mm (94,5 in)	4120 mm (162,2 in)	1200 mm (47,2 in)	Hydraulic	3	300 kg (661 lb)	685 kg (1510 lb)
BUD6490	TCS0021	2400 mm (94,5 in)	1490 mm (58,7 in)	2572 mm (101,3 in)	2400 mm (94,5 in)	4116 mm (162,0 in)	1200 mm (47,2 in)	Hydraulic	3	800 kg (1764 lb)	985 kg (2172 lb)
BUD6517	TCS0101	2410 mm (94,9 in)	1490 mm (58,7 in)	2376 mm (93,5 in)	2400 mm (94,5 in)	4120 mm (162,2 in)	1200 mm (47,2 in)	Hydraulic	3	300 kg (661 lb)	685 kg (1510 lb)
BUD6518	TCS0102	2410 mm (94,9 in)	1490 mm (58,7 in)	2376 mm (93,5 in)	2400 mm (94,5 in)	4120 mm (162,2 in)	1200 mm (47,2 in)	Hydraulic	3	300 kg (661 lb)	685 kg (1510 lb)
BUD6519	TCS0103	2400 mm (94,5 in)	1490 mm (58,7 in)	2572 mm (101,3 in)	2400 mm (94,5 in)	4116 mm (162,0 in)	1200 mm (47,2 in)	Hydraulic	3	800 kg (1764 lb)	985 kg (2172 lb)
BUD6520	TCS0104	2400 mm (94,5 in)	1490 mm (58,7 in)	2572 mm (101,3 in)	2400 mm (94,5 in)	4116 mm (162,0 in)	1200 mm (47,2 in)	Hydraulic	3	800 kg (1764 lb)	985 kg (2172 lb)
BUD6521	TCS0105	2410 mm (94,9 in)	1490 mm (58,7 in)	2376 mm (93,5 in)	2400 mm (94,5 in)	4120 mm (162,2 in)	1200 mm (47,2 in)	Hydraulic	3	300 kg (661 lb)	685 kg (1510 lb)
BUD6522	TCS0106	2410 mm (94,9 in)	1490 mm (58,7 in)	2376 mm (93,5 in)	2400 mm (94,5 in)	4120 mm (162,2 in)	1200 mm (47,2 in)	Hydraulic	3	300 kg (661 lb)	685 kg (1510 lb)
BUD6552	TCS0144	2410 mm (94,9 in)	1490 mm (58,7 in)	2354 mm (92,7 in)	2400 mm (94,5 in)	4120 mm (162,2 in)	1200 mm (47,2 in)	hydraulic	3	300 kg (661 lb)	685 kg (1510 lb)
BUD6553	TCS0145	2410 mm (94,9 in)	1490 mm (58,7 in)	2354 mm (92,7 in)	2400 mm (94,5 in)	4120 mm (162,2 in)	1200 mm (47,2 in)	Hydraulic	3	300 kg (661 lb)	685 kg (1510 lb)
BUD6554	TCS0159	2470 mm (97,2 in)	1490 mm (58,7 in)	2552 mm (100,5 in)	2400 mm (94,5 in)	5800 mm (228,3 in)	1200 mm (47,2 in)	Hydraulic and Manual	3	300 kg (661 lb)	1165 kg (2568 lb)

BUD6555	TCS0160	2470 mm (97,2 in)	1490 mm (58,7 in)	2552 mm (100,5 in)	2400 mm (94,5 in)	5800 mm (228,3 in)	1200 mm (47,2 in)	Hydraulic and Manual	3	300 kg (661 lb)	1165 kg (2568 lb)
BUD6558	TCS0148	2400 mm (94,5 in)	1409 mm (55,5 in)	2550 mm (100,4 in)	2400 mm (94,5 in)	4116 mm (162,0 in)	1200 mm (47,2 in)	hydraulic	3	800 kg (1764 lb)	985 kg (2172 lb)
BUD6559	TCS0149	2400 mm (94,5 in)	1409 mm (55,5 in)	2550 mm (100,4 in)	2400 mm (94,5 in)	4116 mm (162,0 in)	1200 mm (47,2 in)	hydraulic	3	800 kg (1764 lb)	985 kg (2172 lb)
BUD6573	TCS0168	2410 mm (94,9 in)	1490 mm (58,7 in)	2376 mm (93,5 in)	2400 mm (94,5 in)	4120 mm (162,2 in)	1200 mm (47,2 in)	hydraulic	3	300 kg (661 lb)	685 kg (1510 lb)
BUD6575	TCS0170	2400 mm (94,5 in)	1490 mm (58,7 in)	2572 mm (101,3 in)	2400 mm (94,5 in)	4116 mm (162,0 in)	1200 mm (47,2 in)	hydraulic	3	800 kg (1764 lb)	985 kg (2172 lb)
BUD6578	TCS0173	2450 mm (96,5 in)	1504 mm (59,2 in)	2852 mm (112,3 in)	2200 mm (86,6 in)	4400 mm (173,2 in)	1200 mm (47,2 in)	Manual	3	300 kg (661 lb)	895 kg (1973 lb)
BUD6579	TCS0174	2450 mm (96,5 in)	1504 mm (59,2 in)	2852 mm (112,3 in)	2200 mm (86,6 in)	4400 mm (173,2 in)	1200 mm (47,2 in)	Manual	3	300 kg (661 lb)	895 kg (1973 lb)
BUD6582	TCS0178	2450 mm (96,5 in)	1504 mm (59,2 in)	2852 mm (112,3 in)	2200 mm (86,6 in)	4400 mm (173,2 in)	1200 mm (47,2 in)	Manual	3	300 kg (661 lb)	895 kg (1973 lb)
BUD6583	TCS0179	2450 mm (96,5 in)	1504 mm (59,2 in)	2852 mm (112,3 in)	2200 mm (86,6 in)	4400 mm (173,2 in)	1200 mm (47,2 in)	Manual	3	300 kg (661 lb)	895 kg (1973 lb)

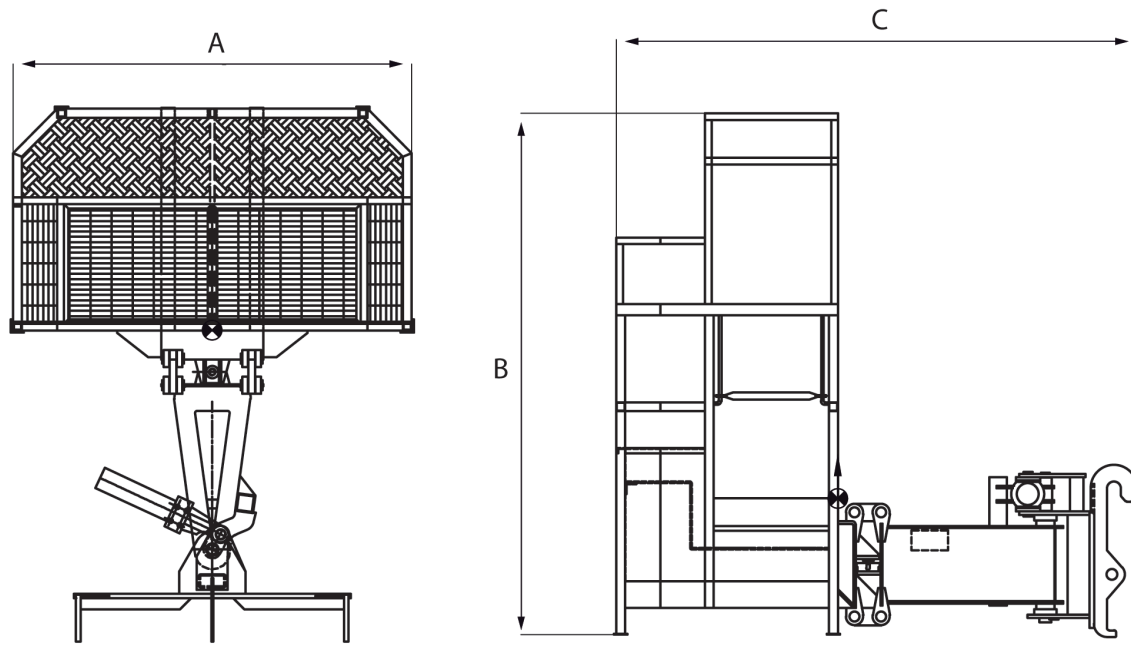
## Trilateral basket for tunnels



Trilateral hydraulic rotation basket suitable for transporting people and materials at height equipped with a protective roof suitable for tunnel work.



## Technical Data

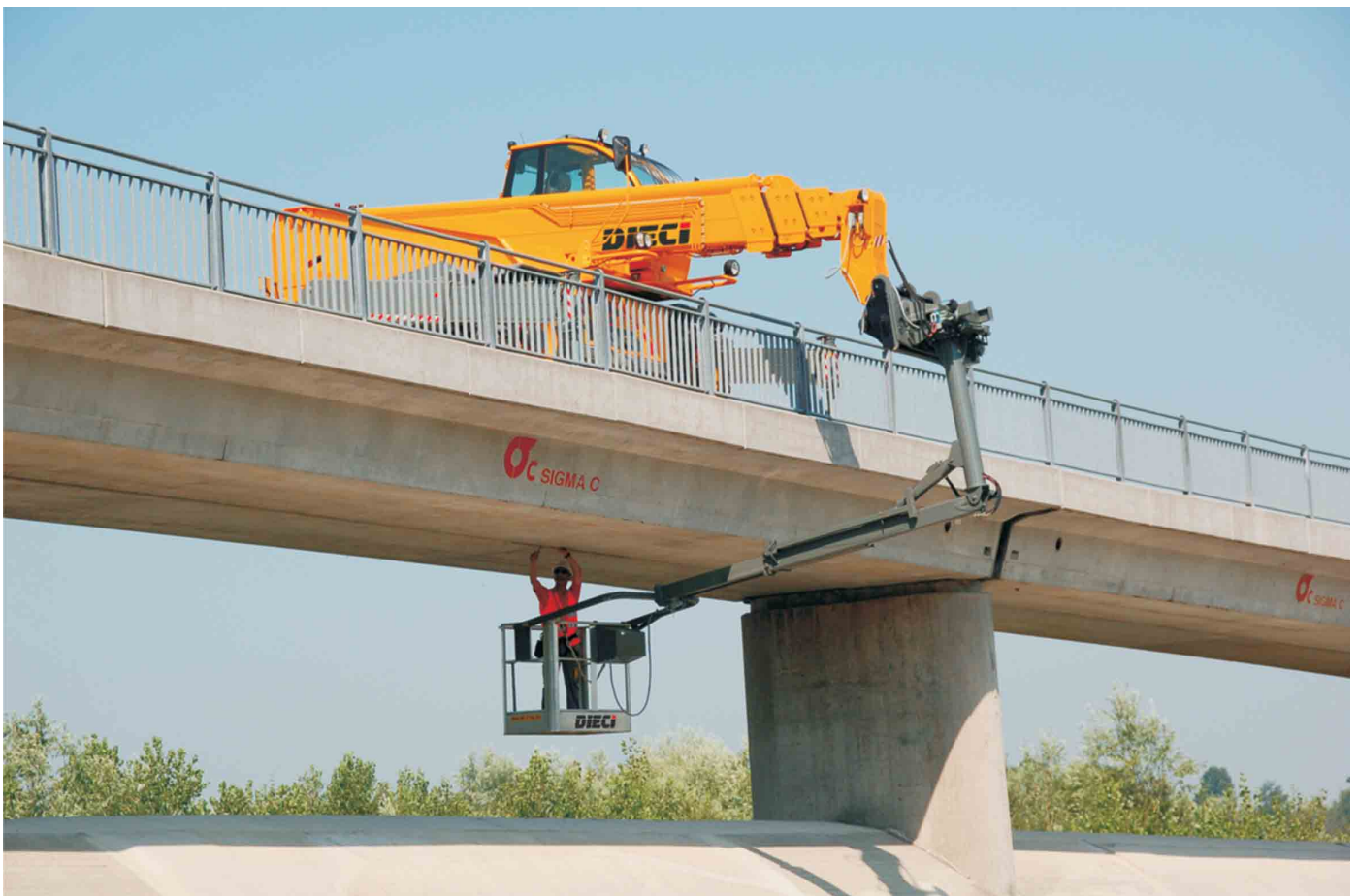


	Code								
BUD6430	TCS0034	1800 mm (70,9 in)	2350 mm (92,5 in)	2223 mm (87,5 in)	1800 mm (70,9 in)	1000 mm (39,4 in)	2	300 kg (661 lb)	775 kg (1709 lb)
BUD6431	TCS0035	1800 mm (70,9 in)	2350 mm (92,5 in)	2223 mm (87,5 in)	1800 mm (70,9 in)	1000 mm (39,4 in)	2	300 kg (661 lb)	775 kg (1709 lb)
BUD6432	TCS0036	1800 mm (70,9 in)	2350 mm (92,5 in)	2352 mm (92,6 in)	1800 mm (70,9 in)	1000 mm (39,4 in)	2	800 kg (1764 lb)	845 kg (1863 lb)
BUD6433	TCS0037	1800 mm (70,9 in)	2350 mm (92,5 in)	2352 mm (92,6 in)	1800 mm (70,9 in)	1000 mm (39,4 in)	2	800 kg (1764 lb)	845 kg (1863 lb)
BUD6562	TCS0154	1800 mm (70,9 in)	2350 mm (92,5 in)	2352 mm (92,6 in)	1800 mm (70,9 in)	1000 mm (39,4 in)	2	300 kg (661 lb)	760 kg (1676 lb)
BUD6563	TCS0155	1800 mm (70,9 in)	2350 mm (92,5 in)	2352 mm (92,6 in)	1800 mm (70,9 in)	1000 mm (39,4 in)	2	300 kg (661 lb)	760 kg (1676 lb)
BUD6564	TCS0156	1800 mm (70,9 in)	2350 mm (92,5 in)	2352 mm (92,6 in)	1800 mm (70,9 in)	1000 mm (39,4 in)	2	800 kg (1764 lb)	845 kg (1863 lb)
BUD6565	TCS0157	1800 mm (70,9 in)	2350 mm (92,5 in)	2352 mm (92,6 in)	1800 mm (70,9 in)	1000 mm (39,4 in)	2	800 kg (1764 lb)	845 kg (1863 lb)

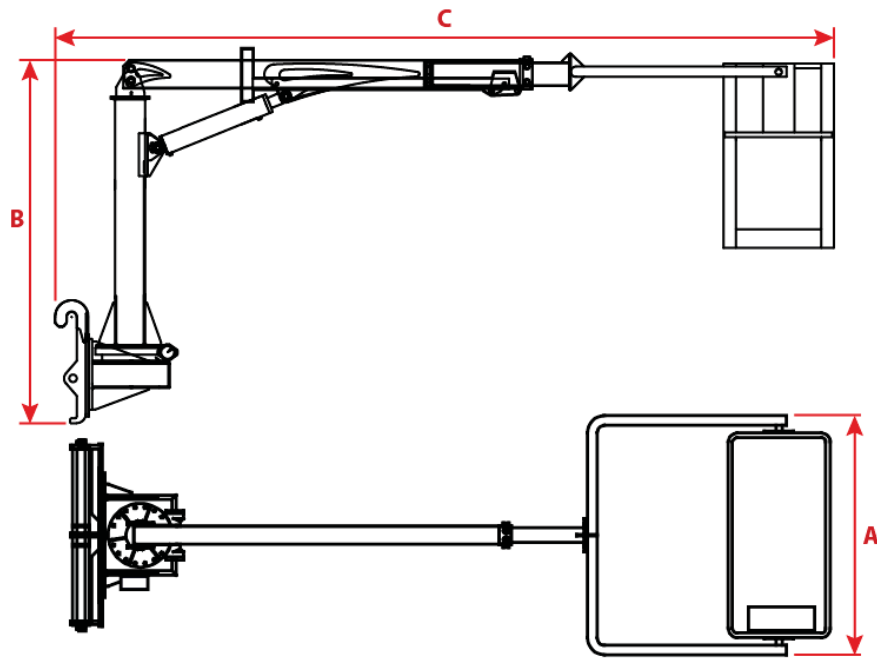
**Positive / Negative jib****Positive / Negative jib**

Jib equipped with basket for transporting people and materials.

The particularity of this accessory is that it allows the operator to get off under the vehicle walking surface.



## Technical Data



	Code						
BUD7022	TSL0021	1640 mm (64,6 in)	2214 mm (87,2 in)	6729 mm (264,9 in)	2	200 kg (441 lb)	744 kg (1640 lb)
BUD7039	TSL0106;TSL 0106	1640 mm (64,6 in)	2214 mm (87,2 in)	6729 mm (264,9 in)	2	200 kg (441 lb)	744 kg (1640 lb)

## Baskets with lifting equipment

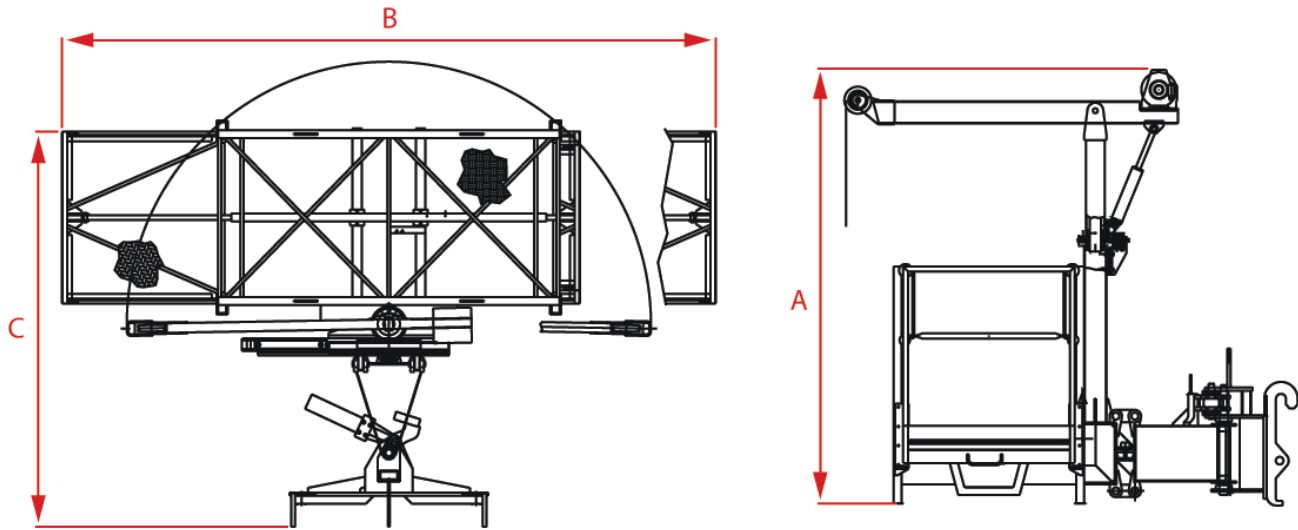
### Extensible Trilateral basket with winch



Extensible trilateral basket suitable for transporting people and materials. The basket is equipped with a jib with integrated winch that allows lifting material easily even while remaining at height.



## Technical Data



	Code											
BUD6505	TCS0093	2406 mm (94,7 in)	2739 mm (107, 8 in)	2554 mm (100, 6 in)	2150 mm (84,6 in)	4116 mm (162, 0 in)	1000 mm (39,4 in)	Hydraulic	3	Single	600 kg (1323 lb)	1215 kg (2679 lb)
BUD6569	TCS0163	2406 mm (94,7 in)	2739 mm (107, 8 in)	2554 mm (100, 6 in)	2150 mm (84,6 in)	4116 mm (162, 0 in)	1000 mm (39,4 in)	hydraulic	3	Single	600 kg (1323 lb)	1215 kg (2679 lb)



## Baskets for landing at high altitude

### Extensible Trilateral basket with front opening

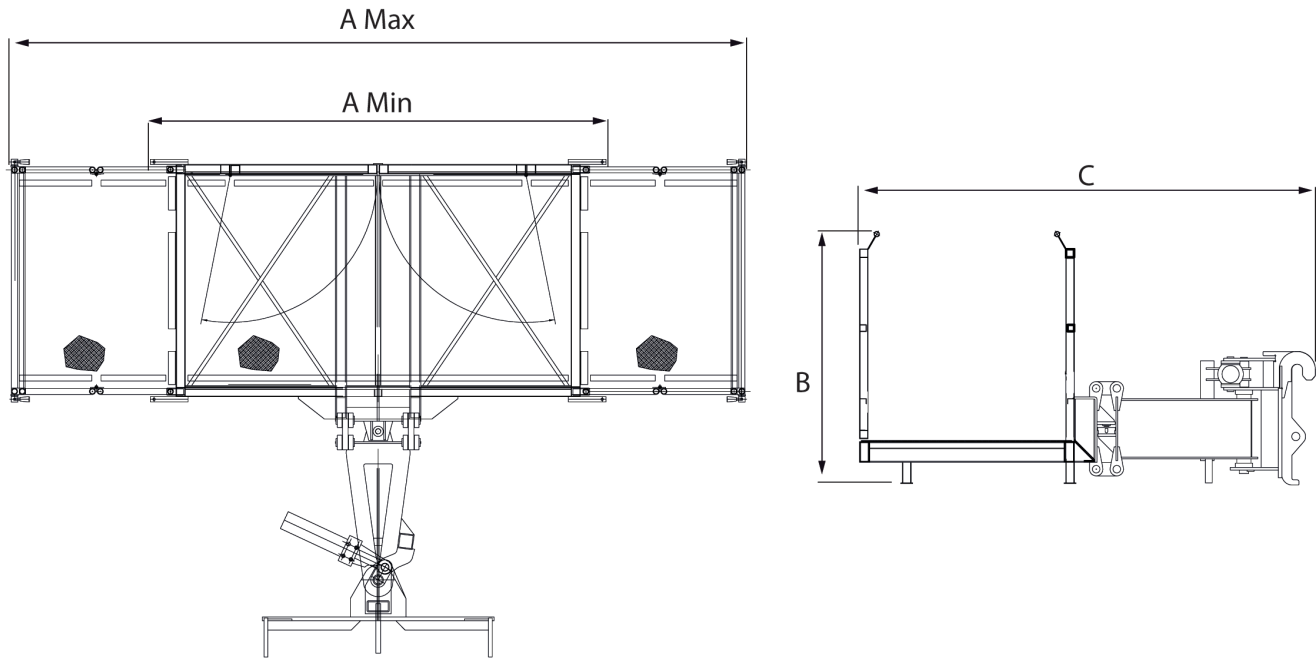


Trilateral hydraulic rotation basket, extensible by hydraulic cylinders, suitable for transporting people and materials at height.

The particular design allows opening a double swing door so that operators can get out.



## Technical Data



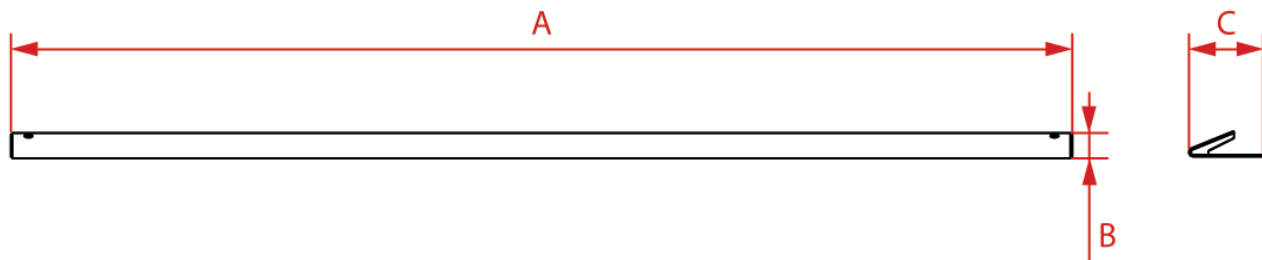
	Code	A	B	C	A	A <sup>max</sup>	C				
BUD6501	TCS0085	2180 mm (85,8 in)	1464 mm (57,6 in)	2653 mm (104,4 in)	2200 mm (86,6 in)	3960 mm (155,9 in)	1200 mm (47,2 in)	Manual	2	500 kg (1102 lb)	845 kg (1863 lb)
BUD6523	TCS0107	2180 mm (85,8 in)	1464 mm (57,6 in)	2653 mm (104,4 in)	2200 mm (86,6 in)	3960 mm (155,9 in)	1200 mm (47,2 in)	Manual	2	500 kg (1102 lb)	845 kg (1863 lb)
BUD6524	TCS0108	2180 mm (85,8 in)	1464 mm (57,6 in)	2653 mm (104,4 in)	2200 mm (86,6 in)	3960 mm (155,9 in)	1200 mm (47,2 in)	Manual	2	500 kg (1102 lb)	845 kg (1863 lb)
BUD6566	TCS0150	2180 mm (85,8 in)	1464 mm (57,6 in)	2653 mm (104,4 in)	2200 mm (86,6 in)	3960 mm (155,9 in)	1200 mm (47,2 in)	Manual	2	500 kg (1102 lb)	845 kg (1863 lb)
BUD6567	TCS0151	2180 mm (85,8 in)	1464 mm (57,6 in)	2653 mm (104,4 in)	2200 mm (86,6 in)	3960 mm (155,9 in)	1200 mm (47,2 in)	Manual	2	500 kg (1102 lb)	845 kg (1863 lb)

**Accessories****Bucket****Blade protector and/or teeth cover**

Optional equipment on all types of buckets.

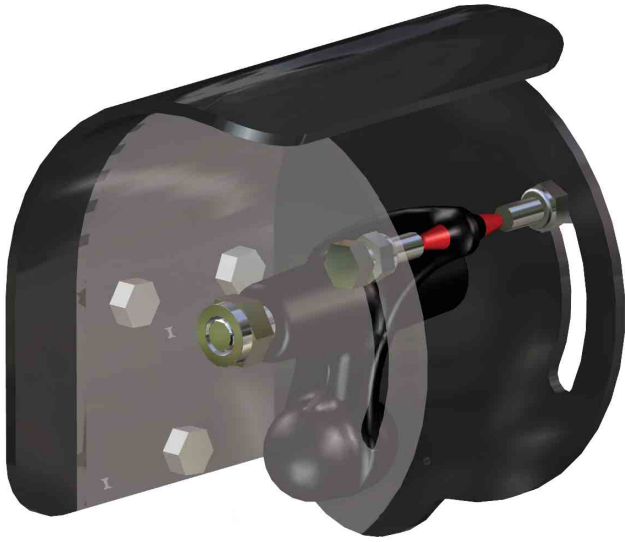


## Technical Data



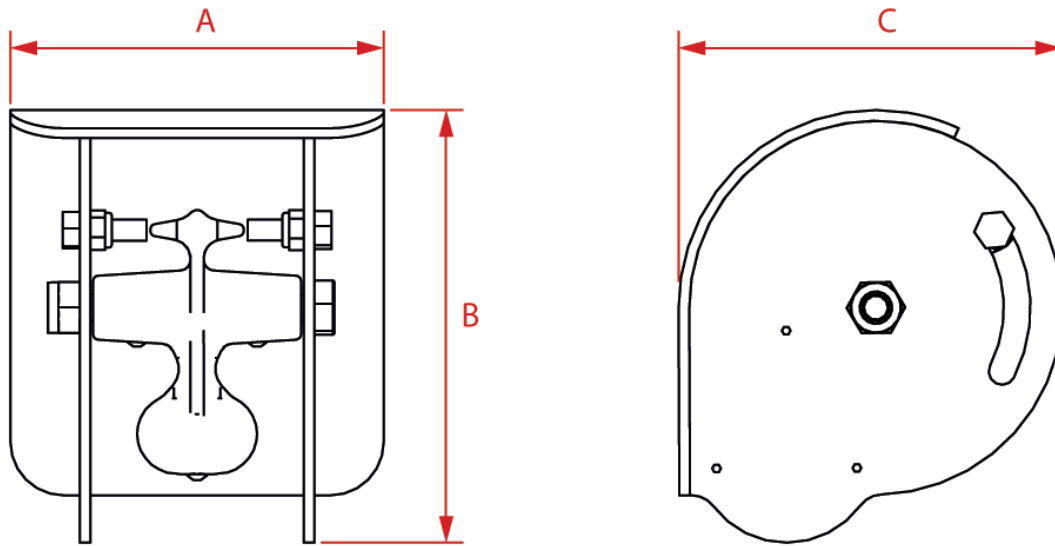
	Code	A	B	C	
ASMCM0000192-0G	TBN0144	2400 mm (94,5 in)	47 mm (1,9 in)	139 mm (5,5 in)	13,5 kg (30 lb)
ASMCM0000217-0G	TBN0131	1980 mm (78,0 in)	47 mm (1,9 in)	139 mm (5,5 in)	10,8 kg (24 lb)
ASMCM0000248-0G	TBN0143	2300 mm (90,6 in)	47 mm (1,9 in)	139 mm (5,5 in)	12,7 kg (28 lb)
ASMCM0000273-0G	TBN0230	2100 mm (82,7 in)	47 mm (1,9 in)	139 mm (5,5 in)	11,5 kg (25 lb)
ASMCM0000283-0G	TBN0231	1900 mm (74,8 in)	47 mm (1,9 in)	139 mm (5,5 in)	10,5 kg (23 lb)
ASMCM0000325-0G	TBN0234	2450 mm (96,5 in)	47 mm (1,9 in)	139 mm (5,5 in)	13,5 kg (30 lb)
BUB2833-0G	TBN0334	1630 mm (64,2 in)	47 mm (1,9 in)	140 mm (5,5 in)	6,3 kg (14 lb)

## Level indicator



Optional equipment on all types of buckets and forks.

## Technical Data

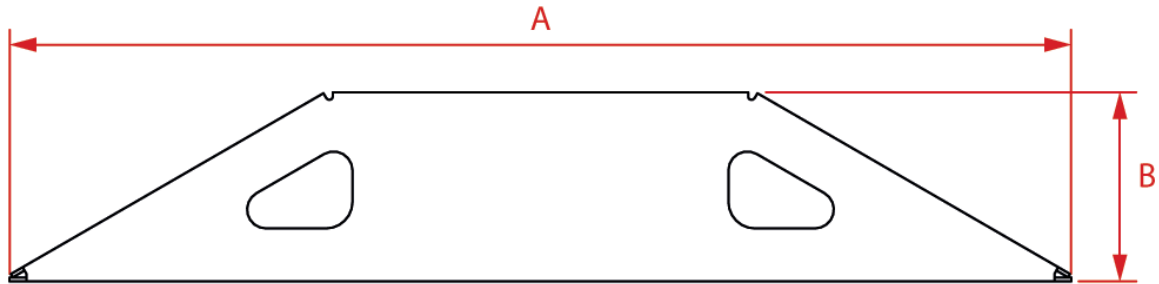





	Code	A	B	C	
DRE3511	TBN0132	140 mm (5,5 in)	162 mm (6,4 in)	165 mm (6,5 in)	2,6 kg (6 lb)

## Full rear guard

**Optional equipment for:**

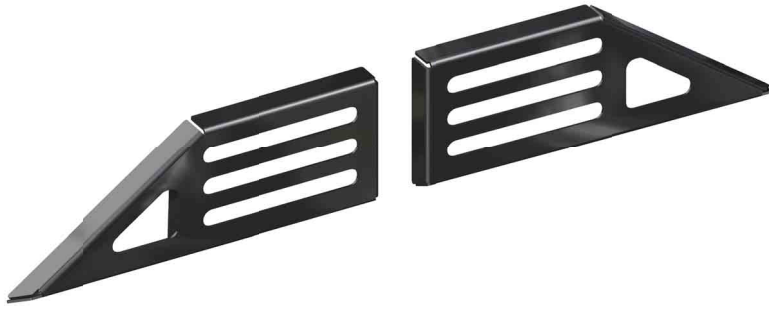
- Bucket for light materials
- Excavating bucket with teeth
- Excavating bucket without teeth
- 4 in 1 bucket

**Technical Data**

	Code	A 	B 	
ASMCM0000191-0G	TBN0129	1406 mm (55,4 in)	250 mm (9,8 in)	15 kg (33 lb)
ASMCM0000257	TBN0141	1750 mm (68,9 in)	400 mm (15,7 in)	23,7 kg (52 lb)
ASMCM0000257-0G	TBN0251	1750 mm (68,9 in)	400 mm (15,7 in)	23,7 kg (52 lb)
BUB2834-0G	TBN0357	1700 mm (66,9 in)	400 mm (15,7 in)	24 kg (53 lb)

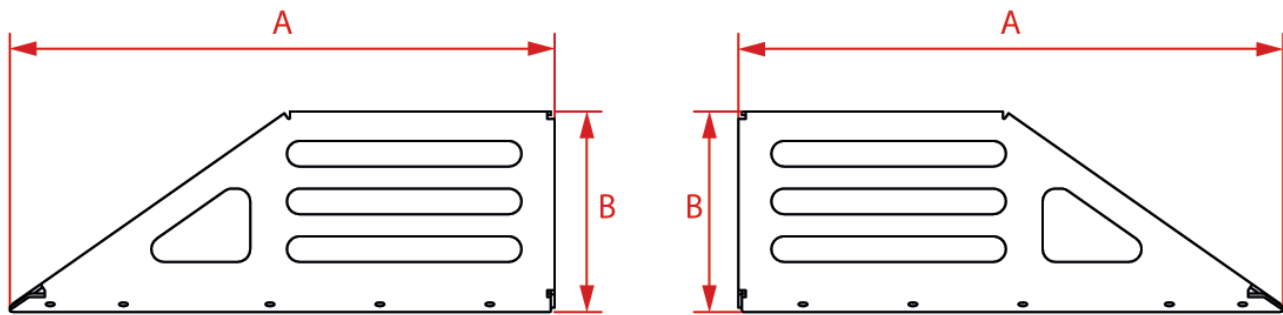


## Split rear guard

**Optional equipment for:**

- Bucket with grab
- Forks with grab

## Technical Data



	Code	A	B	
ASMCM0000210-OG	TBN0130	743 mm (29,3 in)	273 mm (10,7 in)	7,5 kg (17 lb)
ASMCM0000211-OG	TBN0130	743 mm (29,3 in)	273 mm (10,7 in)	7,5 kg (17 lb)
ASMCM0000258	TBN0142	743 mm (29,3 in)	423 mm (16,7 in)	8,7 kg (19 lb)
ASMCM0000258-OG	TBN0252	743 mm (29,3 in)	423 mm (16,7 in)	8,7 kg (19 lb)
ASMCM0000259	TBN0142	743 mm (29,3 in)	423 mm (16,7 in)	8,7 kg (19 lb)
ASMCM0000259-OG	TBN0252	743 mm (29,3 in)	423 mm (16,7 in)	8,7 kg (19 lb)

# Detailed table of contents

TBN0006	17	TBN0118	35	TBN0181	15	TBN0231	132
TBN0012	17	TBN0119	35	TBN0183	15	TBN0234	132
TBN0018	17	TBN0120	35	TBN0184	15	TBN0239	35
TBN0019	17	TBN0121	12	TBN0185	15	TBN0240	41
TBN0020	9	TBN0122	15	TBN0186	15	TBN0241	41
TBN0021	9	TBN0123	15	TBN0188	15	TBN0242	38
TBN0034	47	TBN0124	9	TBN0189	15	TBN0243	38
TBN0035	47	TBN0126	44	TBN0190	15	TBN0246	38
TBN0036	35	TBN0127	9	TBN0191	12	TBN0247	38
TBN0037	12	TBN0128	9	TBN0193	12	TBN0251	136
TBN0038	12	TBN0129	136	TBN0194	12	TBN0252	138
TBN0039	15	TBN0130	138	TBN0195	9	TBN0253	35
TBN0040	15	TBN0131	132	TBN0196	9	TBN0254	38
TBN0041	17	TBN0132	134	TBN0197	9	TBN0255	38
TBN0042	9	TBN0133	35	TBN0198	9	TBN0258	35
TBN0043	9	TBN0134	35	TBN0199	9	TBN0259	38
TBN0044	9	TBN0135	35	TBN0200	9	TBN0262	35
TBN0045	9	TBN0136	15	TBN0201	9	TBN0263	35
TBN0047	9	TBN0137	44	TBN0202	9	TBN0264	35
TBN0048	9	TBN0138	44	TBN0203	9	TBN0265	44
TBN0051	47	TBN0141	136	TBN0204	9	TBN0266	44
TBN0061	47	TBN0142	138	TBN0205	9	TBN0267	41
TBN0066	47	TBN0143	132	TBN0207	9	TBN0268	41
TBN0068	12	TBN0144	132	TBN0208	9	TBN0269	38
TBN0072	17	TBN0150	15	TBN0209	9	TBN0270	38
TBN0073	17	TBN0151	15	TBN0210	9	TBN0271	35
TBN0076	9	TBN0156	15	TBN0212	9	TBN0272	35
TBN0077	47	TBN0157	15	TBN0213	35	TBN0273	35
TBN0091	15	TBN0162	12	TBN0214	35	TBN0274	44
TBN0092	15	TBN0163	12	TBN0215	35	TBN0275	44
TBN0093	12	TBN0165	9	TBN0216	35	TBN0276	41
TBN0094	9	TBN0166	9	TBN0217	35	TBN0277	41
TBN0095	9	TBN0167	9	TBN0218	44	TBN0278	38
TBN0102	12	TBN0168	9	TBN0219	44	TBN0279	38
TBN0104	15	TBN0169	9	TBN0220	44	TBN0280	35
TBN0105	12	TBN0170	9	TBN0221	44	TBN0281	35
TBN0106	9	TBN0171	9	TBN0222	44	TBN0282	35
TBN0107	9	TBN0172	9	TBN0223	44	TBN0283	44
TBN0108	9	TBN0174	35	TBN0224	41	TBN0284	44
TBN0109	9	TBN0175	35	TBN0225	41	TBN0285	41
TBN0113	44	TBN0176	35	TBN0226	41	TBN0286	41
TBN0114	9	TBN0177	44	TBN0227	41	TBN0287	38
TBN0115	15	TBN0178	44	TBN0228	41	TBN0288	38
TBN0116	15	TBN0179	44	TBN0229	41	TBN0290	38
TBN0117	12	TBN0180	44	TBN0230	132	TBN0291	35

TBN0292	<b>35</b>	TBN0354	<b>9</b>	TCS0086	<b>112</b>	TCS0160	<b>122</b>
TBN0293	<b>44</b>	TBN0355	<b>9</b>	TCS0089	<b>112</b>	TCS0161	<b>118</b>
TBN0294	<b>44</b>	TBN0357	<b>136</b>	TCS0091	<b>112</b>	TCS0162	<b>118</b>
TBN0295	<b>41</b>	TBN0359	<b>47</b>	TCS0092	<b>32</b>	TCS0163	<b>128</b>
TBN0296	<b>41</b>	TCS0001	<b>112</b>	TCS0093	<b>128</b>	TCS0164	<b>112</b>
TBN0297	<b>38</b>	TCS0002	<b>32</b>	TCS0095	<b>112</b>	TCS0165	<b>112</b>
TBN0298	<b>38</b>	TCS0003	<b>112</b>	TCS0096	<b>112</b>	TCS0166	<b>115</b>
TBN0299	<b>47</b>	TCS0004	<b>112</b>	TCS0097	<b>115</b>	TCS0167	<b>118</b>
TBN0300	<b>15</b>	TCS0005	<b>112</b>	TCS0098	<b>115</b>	TCS0168	<b>122</b>
TBN0301	<b>15</b>	TCS0006	<b>115</b>	TCS0099	<b>118</b>	TCS0169	<b>118</b>
TBN0302	<b>12</b>	TCS0007	<b>115</b>	TCS0100	<b>118</b>	TCS0170	<b>122</b>
TBN0303	<b>47</b>	TCS0008	<b>118</b>	TCS0101	<b>122</b>	TCS0171	<b>112</b>
TBN0304	<b>47</b>	TCS0009	<b>118</b>	TCS0102	<b>122</b>	TCS0172	<b>112</b>
TBN0305	<b>47</b>	TCS0010	<b>122</b>	TCS0103	<b>122</b>	TCS0173	<b>122</b>
TBN0312	<b>47</b>	TCS0011	<b>122</b>	TCS0104	<b>122</b>	TCS0174	<b>122</b>
TBN0313	<b>47</b>	TCS0012	<b>122</b>	TCS0105	<b>122</b>	TCS0175	<b>32</b>
TBN0314	<b>15</b>	TCS0013	<b>122</b>	TCS0106	<b>122</b>	TCS0176	<b>112</b>
TBN0315	<b>15</b>	TCS0014	<b>122</b>	TCS0107	<b>130</b>	TCS0177	<b>112</b>
TBN0316	<b>9</b>	TCS0015	<b>122</b>	TCS0108	<b>130</b>	TCS0178	<b>122</b>
TBN0317	<b>9</b>	TCS0016	<b>32</b>	TCS0109	<b>32</b>	TCS0179	<b>122</b>
TBN0318	<b>47</b>	TCS0017	<b>112</b>	TCS0123	<b>112</b>	TCS0180	<b>32</b>
TBN0319	<b>47</b>	TCS0018	<b>115</b>	TCS0124	<b>112</b>	TCV0001	<b>76</b>
TBN0320	<b>9</b>	TCS0019	<b>118</b>	TCS0125	<b>112</b>	TCV0002	<b>19</b>
TBN0321	<b>9</b>	TCS0020	<b>122</b>	TCS0126	<b>115</b>	TCV0006	<b>21</b>
TBN0325	<b>35</b>	TCS0021	<b>122</b>	TCS0127	<b>115</b>	TCV0007	<b>19</b>
TBN0326	<b>15</b>	TCS0022	<b>112</b>	TCS0128	<b>118</b>	TCV0008	<b>76</b>
TBN0327	<b>12</b>	TCS0024	<b>115</b>	TCS0129	<b>118</b>	TCV0011	<b>19</b>
TBN0328	<b>15</b>	TCS0026	<b>118</b>	TCS0138	<b>112</b>	TCV0012	<b>76</b>
TBN0329	<b>9</b>	TCS0028	<b>122</b>	TCS0139	<b>112</b>	TCV0014	<b>23</b>
TBN0330	<b>9</b>	TCS0030	<b>122</b>	TCS0140	<b>115</b>	TCV0015	<b>81</b>
TBN0331	<b>44</b>	TCS0034	<b>124</b>	TCS0141	<b>115</b>	TCV0016	<b>81</b>
TBN0332	<b>44</b>	TCS0035	<b>124</b>	TCS0142	<b>118</b>	TCV0019	<b>79</b>
TBN0334	<b>132</b>	TCS0036	<b>124</b>	TCS0143	<b>118</b>	TCV0020	<b>79</b>
TBN0335	<b>15</b>	TCS0037	<b>124</b>	TCS0144	<b>122</b>	TCV0021	<b>79</b>
TBN0336	<b>15</b>	TCS0044	<b>112</b>	TCS0145	<b>122</b>	TCV0022	<b>79</b>
TBN0337	<b>12</b>	TCS0045	<b>32</b>	TCS0146	<b>118</b>	TCV0023	<b>79</b>
TBN0338	<b>9</b>	TCS0046	<b>122</b>	TCS0147	<b>118</b>	TCV0027	<b>19</b>
TBN0339	<b>9</b>	TCS0047	<b>118</b>	TCS0148	<b>122</b>	TCV0029	<b>23</b>
TBN0340	<b>47</b>	TCS0048	<b>118</b>	TCS0149	<b>122</b>	TCV0030	<b>23</b>
TBN0343	<b>9</b>	TCS0066	<b>112</b>	TCS0150	<b>130</b>	TCV0031	<b>23</b>
TBN0344	<b>35</b>	TCS0067	<b>32</b>	TCS0151	<b>130</b>	TCV0032	<b>23</b>
TBN0345	<b>35</b>	TCS0069	<b>112</b>	TCS0154	<b>124</b>	TCV0034	<b>21</b>
TBN0349	<b>15</b>	TCS0070	<b>118</b>	TCS0155	<b>124</b>	TCV0035	<b>76</b>
TBN0350	<b>12</b>	TCS0071	<b>112</b>	TCS0156	<b>124</b>	TCV0037	<b>76</b>
TBN0351	<b>15</b>	TCS0075	<b>118</b>	TCS0157	<b>124</b>	TCV0038	<b>19</b>
TBN0352	<b>9</b>	TCS0076	<b>118</b>	TCS0158	<b>32</b>	TCV0040	<b>76</b>
TBN0353	<b>9</b>	TCS0085	<b>130</b>	TCS0159	<b>122</b>	TCV0042	<b>76</b>

TCV0043	<b>21</b>	TFR0043	<b>26</b>	TGN0067	<b>72</b>	TGN0294	<b>49</b>
TCV0045	<b>85</b>	TFR0046	<b>26</b>	TGN0068	<b>64</b>	TGN0295	<b>49</b>
TCV0047	<b>79</b>	TFR0051	<b>26</b>	TGN0069	<b>68</b>	TGN0296	<b>49</b>
TCV0048	<b>79</b>	TFR0052	<b>26</b>	TGN0074	<b>74</b>	TGN0299	<b>57</b>
TCV0049	<b>23</b>	TFR0053	<b>26</b>	TGN0076	<b>72</b>	TSL0001	<b>99</b>
TCV0052	<b>23</b>	TFR0058	<b>26</b>	TGN0077	<b>72</b>	TSL0002	<b>109</b>
TCV0053	<b>76</b>	TGN0002	<b>66</b>	TGN0081	<b>66</b>	TSL0003	<b>99</b>
TCV0054	<b>23</b>	TGN0003	<b>61</b>	TGN0082	<b>61</b>	TSL0004	<b>109</b>
TCV0055	<b>85</b>	TGN0007	<b>28</b>	TGN0083	<b>28</b>	TSL0005	<b>96</b>
TCV0056	<b>76</b>	TGN0008	<b>30</b>	TGN0084	<b>30</b>	TSL0006	<b>102</b>
TCV0057	<b>23</b>	TGN0009	<b>53</b>	TGN0085	<b>53</b>	TSL0007	<b>104</b>
TCV0059	<b>23</b>	TGN0010	<b>51</b>	TGN0086	<b>51</b>	TSL0008	<b>99</b>
TCV0060	<b>81</b>	TGN0011	<b>57</b>	TGN0087	<b>57</b>	TSL0009	<b>109</b>
TCV0061	<b>21</b>	TGN0013	<b>51</b>	TGN0088	<b>66</b>	TSL0010	<b>96</b>
TCV0062	<b>83</b>	TGN0015	<b>49</b>	TGN0089	<b>61</b>	TSL0011	<b>99</b>
TCV0063	<b>79</b>	TGN0016	<b>66</b>	TGN0090	<b>53</b>	TSL0012	<b>109</b>
TCV0064	<b>79</b>	TGN0017	<b>61</b>	TGN0091	<b>51</b>	TSL0013	<b>99</b>
TCV0065	<b>79</b>	TGN0018	<b>28</b>	TGN0092	<b>66</b>	TSL0014	<b>109</b>
TCV0066	<b>79</b>	TGN0019	<b>30</b>	TGN0093	<b>61</b>	TSL0015	<b>96</b>
TCV0067	<b>79</b>	TGN0020	<b>53</b>	TGN0094	<b>53</b>	TSL0016	<b>96</b>
TCV0068	<b>79</b>	TGN0021	<b>51</b>	TGN0096	<b>51</b>	TSL0017	<b>96</b>
TCV0069	<b>79</b>	TGN0023	<b>70</b>	TGN0097	<b>57</b>	TSL0018	<b>102</b>
TCV0073	<b>79</b>	TGN0025	<b>51</b>	TGN0098	<b>93</b>	TSL0019	<b>104</b>
TCV0074	<b>79</b>	TGN0026	<b>55</b>	TGN0099	<b>57</b>	TSL0020	<b>102</b>
TCV0075	<b>23</b>	TGN0028	<b>59</b>	TGN0100	<b>55</b>	TSL0021	<b>126</b>
TCV0078	<b>23</b>	TGN0029	<b>87</b>	TGN0101	<b>59</b>	TSL0030	<b>96</b>
TCV0082	<b>81</b>	TGN0030	<b>89</b>	TGN0102	<b>87</b>	TSL0031	<b>99</b>
TCV0083	<b>81</b>	TGN0031	<b>93</b>	TGN0103	<b>89</b>	TSL0032	<b>109</b>
TFR0001	<b>26</b>	TGN0032	<b>57</b>	TGN0104	<b>91</b>	TSL0033	<b>99</b>
TFR0004	<b>26</b>	TGN0033	<b>91</b>	TGN0105	<b>68</b>	TSL0034	<b>109</b>
TFR0005	<b>26</b>	TGN0034	<b>66</b>	TGN0106	<b>51</b>	TSL0035	<b>99</b>
TFR0007	<b>26</b>	TGN0035	<b>61</b>	TGN0107	<b>70</b>	TSL0036	<b>109</b>
TFR0010	<b>26</b>	TGN0036	<b>28</b>	TGN0108	<b>72</b>	TSL0037	<b>96</b>
TFR0011	<b>26</b>	TGN0037	<b>51</b>	TGN0109	<b>49</b>	TSL0038	<b>102</b>
TFR0017	<b>26</b>	TGN0038	<b>59</b>	TGN0110	<b>49</b>	TSL0039	<b>99</b>
TFR0018	<b>26</b>	TGN0039	<b>55</b>	TGN0111	<b>72</b>	TSL0040	<b>109</b>
TFR0021	<b>26</b>	TGN0040	<b>57</b>	TGN0115	<b>51</b>	TSL0041	<b>99</b>
TFR0022	<b>26</b>	TGN0041	<b>87</b>	TGN0116	<b>74</b>	TSL0042	<b>109</b>
TFR0023	<b>26</b>	TGN0042	<b>89</b>	TGN0117	<b>74</b>	TSL0043	<b>102</b>
TFR0024	<b>26</b>	TGN0049	<b>93</b>	TGN0118	<b>68</b>	TSL0044	<b>106</b>
TFR0025	<b>26</b>	TGN0051	<b>57</b>	TGN0119	<b>64</b>	TSL0045	<b>106</b>
TFR0027	<b>26</b>	TGN0053	<b>91</b>	TGN0120	<b>68</b>	TSL0046	<b>106</b>
TFR0028	<b>26</b>	TGN0055	<b>51</b>	TGN0121	<b>74</b>	TSL0060	<b>99</b>
TFR0029	<b>26</b>	TGN0063	<b>30</b>	TGN0122	<b>74</b>	TSL0064	<b>109</b>
TFR0039	<b>26</b>	TGN0064	<b>74</b>	TGN0123	<b>68</b>	TSL0065	<b>109</b>
TFR0041	<b>26</b>	TGN0065	<b>74</b>	TGN0292	<b>49</b>	TSL0066	<b>96</b>
TFR0042	<b>26</b>	TGN0066	<b>74</b>	TGN0293	<b>49</b>	TSL0067	<b>106</b>

TSL0068	<b>106</b>	TSL0120	<b>96</b>
TSL0070	<b>96</b>	TSL0121	<b>106</b>
TSL0071	<b>99</b>	TSL0122	<b>96</b>
TSL0075	<b>109</b>	TSL0123	<b>102</b>
TSL0076	<b>109</b>	TSL0124	<b>106</b>
TSL0077	<b>102</b>	TSL0125	<b>109</b>
TSL0078	<b>99</b>	TSL0126	<b>106</b>
TSL0079	<b>99</b>	TSL0127	<b>96</b>
TSL0080	<b>96</b>	TSL0128	<b>102</b>
TSL0081	<b>109</b>	TSL0129	<b>106</b>
TSL0082	<b>109</b>	TSL0130	<b>96</b>
TSL0083	<b>102</b>	TSL0131	<b>96</b>
TSL0084	<b>102</b>	TSL0132	<b>106</b>
TSL0085	<b>99</b>		
TSL0086	<b>99</b>		
TSL0088	<b>96</b>		
TSL0089	<b>96</b>		
TSL0090	<b>109</b>		
TSL0091	<b>106</b>		
TSL0092	<b>96</b>		
TSL0093	<b>96</b>		
TSL0094	<b>109</b>		
TSL0095	<b>109</b>		
TSL0096	<b>109</b>		
TSL0097	<b>102</b>		
TSL0098	<b>106</b>		
TSL0099	<b>99</b>		
TSL0100	<b>99</b>		
TSL0101	<b>99</b>		
TSL0102	<b>99</b>		
TSL0103	<b>96</b>		
TSL0104	<b>96</b>		
TSL0105	<b>96</b>		
TSL0106	<b>126</b>		
TSL0107	<b>99</b>		
TSL0108	<b>109</b>		
TSL0109	<b>99</b>		
TSL0110	<b>109</b>		
TSL0111	<b>99</b>		
TSL0112	<b>109</b>		
TSL0113	<b>96</b>		
TSL0114	<b>96</b>		
TSL0115	<b>102</b>		
TSL0116	<b>106</b>		
TSL0117	<b>102</b>		
TSL0118	<b>106</b>		
TSL0119	<b>99</b>		