

DIECI
A M E R I C A S
T E L E H A N D L E R S



AGRI MAX

50.8 | 65.8 | 60.9 | 75.10



dieci-americas.com

PERFORMANCE

Vehicle model	AGRI MAX 50.8 VS EVO2 - GD	AGRI MAX 65.8 VS EVO2 - GD	AGRI MAX 60.9 VS EVO2 - GD	AGRI MAX 75.10 - GD
Maximum capacity	11000 lb (4990 kg)	14300 lb (6486 kg)	13200 lb (5987 kg)	16500 lb (7484 kg)
Maximum lifting height	25.3 ft (7.7 m)	25.3 ft (7.7 m)	28.2 ft (8.6 m)	31.7 ft (9.65 m)
Maximum horizontal extension	13.5 ft (4.1 m)	13.5 ft (4.1 m)	16.3 ft (5.0 m)	17.71 ft (5.4 m)
Fork swiveling angle	144°	144°	144°	134°
Pull-out force	20008 lbf (8900 daN)	20008 lbf (8900 daN)	20008 lbf (8900 daN)	23830 lbf (10600 daN)
Towing force	19300 lbf (8585 daN)	19300 lbf (8585 daN)	19300 lbf (8585 daN)	18794 lbf (8360 daN)
Unladen mass	23281 lb (10560 kg)	24912 lb (11300 kg)	25353 lb (11500 kg)	28219 lb (12800 kg)
Maximum climb angle	40%	40%	40%	40%
Max speed (referred to wheels with maximum permitted diameter)	24.9 mph (40 km/h)	24.9 mph (40 km/h)	24.9 mph (40 km/h)	24.9 mph (40 km/h)

BOOM

Vehicle model	AGRI MAX 50.8 VS EVO2 - GD	AGRI MAX 65.8 VS EVO2 - GD	AGRI MAX 60.9 VS EVO2 - GD	AGRI MAX 75.10 - GD
Lifting	8.7 s	11.1 s	11.6 s	15.1 s
Descent	6.9 s	10.4 s	10.9 s	9.9 s
Extension	7.3 s	7.3 s	8.4 s	11.4 s
Retraction	4.8 s	4.8 s	5.5 s	5.1 s
Forward swiveling	3.7 s	3.7 s	3.7 s	7.5 s
Reverse swiveling	3.8 s	3.8 s	3.8 s	3.3 s

ENGINE

Vehicle model	AGRI MAX 50.8 VS EVO2 - GD	AGRI MAX 65.8 VS EVO2 - GD	AGRI MAX 60.9 VS EVO2 - GD	AGRI MAX 75.10 - GD
Brand	FPT	FPT	FPT	FPT
Nominal power	168 HP (125 kW)	168 HP (125 kW)	168 HP (125 kW)	138 HP (103 kW)
@rpm	2200 rpm	2200 rpm	2200 rpm	2200 rpm
Peak power	172 HP (128 kW)	172 HP (128 kW)	172 HP (128 kW)	153 HP (114 kW)
@rpm	1900 rpm	1900 rpm	1900 rpm	1800 rpm
Operation	4-stroke	4-stroke	4-stroke	4-stroke
Injection	Electronic, Common Rail	Electronic, Common Rail	Electronic, Common Rail	4-Stroke Electronic Injection, Common Rail
Number and arrangement of cylinders	4, Vertical in line	4, Vertical in line	4, Vertical in line	4, Vertical in line
Displacement	274 in ³ (4485 cm ³)	274 in ³ (4485 cm ³)	274 in ³ (4485 cm ³)	274 in ³ (4485 cm ³)
Consumption	348.74 lb/Hp h (212 g/kWh)	348.74 lb/Hp h (212 g/kWh)	348.74 lb/Hp h (212 g/kWh)	348.74 lb/Hp h (212 g/kWh)
@rpm	2200 rpm	2200 rpm	2200 rpm	2200 rpm
Emission standard	Stage V	Stage V	Stage V	Stage V
Exhaust gas treatment	DOC+SCRoF (with AdBlue)	DOC+SCRoF (with AdBlue)	DOC+SCRoF (with AdBlue)	DOC+SCRoF (with AdBlue)
Cooling system	Liquid	Liquid	Liquid	Liquid
Intake	16-valve turbocharger with aftercooler	16-valve turbocharger with aftercooler	16-valve turbocharger with aftercooler	16-valve turbocharger with aftercooler

DIFFERENTIAL AXLES

Vehicle model	AGRI MAX 50.8 VS EVO2 - GD	AGRI MAX 65.8 VS EVO2 - GD	AGRI MAX 60.9 VS EVO2 - GD	AGRI MAX 75.10 - GD
Type of axles	2 steering, with 4 epicycloidal reduction gears. Limited slip 45% on both axles	2 steering, with 4 epicycloidal reduction gears. Limited slip 45% on both axles	2 steering, with 4 epicycloidal reduction gears. Limited slip 45% on both axles	2 steering, with 4 epicycloidal reduction gears
Type of steering	4 wheels / transversal / 2 wheels	4 wheels / transversal / 2 wheels	4 wheels / transversal / 2 wheels	4 wheels / transversal / 2 wheels
FRONT AXLE	Rigid (Levelling upon request)	Rigid (Levelling upon request)	Rigid (Levelling upon request)	With +/- 7° transverse leveling device
Rear axle	Swinging	Swinging	Swinging	Swinging
Service braking	Oil bath with servo brake on front and rear axle with double hydraulic system	Oil bath with servo brake on front and rear axle with double hydraulic system	Oil bath with servo brake on front and rear axle with double hydraulic system	Oil bath with servo brake on front and rear axle with double hydraulic system
Parking braking	Negative actuation with electronic control	Negative actuation with electronic control	Negative actuation with electronic control	Negative actuation with electrical control

HYDRAULIC SYSTEM

Vehicle model	AGRI MAX 50.8 VS EVO2 - GD	AGRI MAX 65.8 VS EVO2 - GD	AGRI MAX 60.9 VS EVO2 - GD	AGRI MAX 75.10 - GD
Hydraulic pump type	Piston pump with variable flow rate for power steering and movements. Gear pumps for Fan Drive with fan reversal.	Piston pump with variable flow rate for power steering and movements. Gear pumps for Fan Drive with fan reversal.	Piston pump with variable flow rate for power steering and movements. Gear pumps for Fan Drive with fan reversal.	Gear pump for power steering and movements. Gear pump for Fan Drive.
Hydraulic pump capacity	65.3 gal/min (247 l/min)	65.3 gal/min (247 l/min)	65.3 gal/min (247 l/min)	42.3 gal/min (160 l/min)
Max. operating pressure	3771 psi (26 MPa)	3771 psi (26 MPa)	3771 psi (26 MPa)	3771 psi (26 MPa)
Distributor control	4 in 1 proportional electrical Joystick with FNR	4 in 1 proportional electrical Joystick with FNR	4 in 1 proportional electrical Joystick with FNR	Proportional 4 in 1 Joystick with FNR

REFUELING

Vehicle model	AGRI MAX 50.8 VS EVO2 - GD	AGRI MAX 65.8 VS EVO2 - GD	AGRI MAX 60.9 VS EVO2 - GD	AGRI MAX 75.10 - GD
Hydraulic system (total)	52.83 gal (200 l)	52.83 gal (200 l)	52.83 gal (200 l)	55.48 gal (210 l)
FUEL TANK	33.02 gal (125 l)	33.02 gal (125 l)	33.02 gal (125 l)	33.02 gal (125 l)
AdBlue tank	7.13 gal (27 l)	7.13 gal (27 l)	7.13 gal (27 l)	7.13 gal (27 l)

TRANSMISSION

Vehicle model	AGRI MAX 50.8 VS EVO2 - GD	AGRI MAX 65.8 VS EVO2 - GD	AGRI MAX 60.9 VS EVO2 - GD	AGRI MAX 75.10 - GD
Transmission type	Hydrostatic Vario System EVO2 electronically controlled with 2 hydrostatic motors with continuous automatic adjustment	Hydrostatic Vario System EVO2 electronically controlled with 2 hydrostatic motors with continuous automatic adjustment	Hydrostatic Vario System EVO2 electronically controlled with 2 hydrostatic motors with continuous automatic adjustment	Hydrostatic with variable displacement pump
Reversal	With electronic control operated with vehicle in motion	With electronic control operated with vehicle in motion	With electronic control operated with vehicle in motion	Electro-Hydraulic
Inching	With electronic pedal for controlled forward movement	With electronic pedal for controlled forward movement	With electronic pedal for controlled forward movement	With electronic pedal for controlled forward movement
Drive mode	Automotive, Eco, Loader, Creeper	Automotive, Eco, Loader, Creeper	Automotive, Eco, Loader, Creeper	-

TOWING CAPACITY

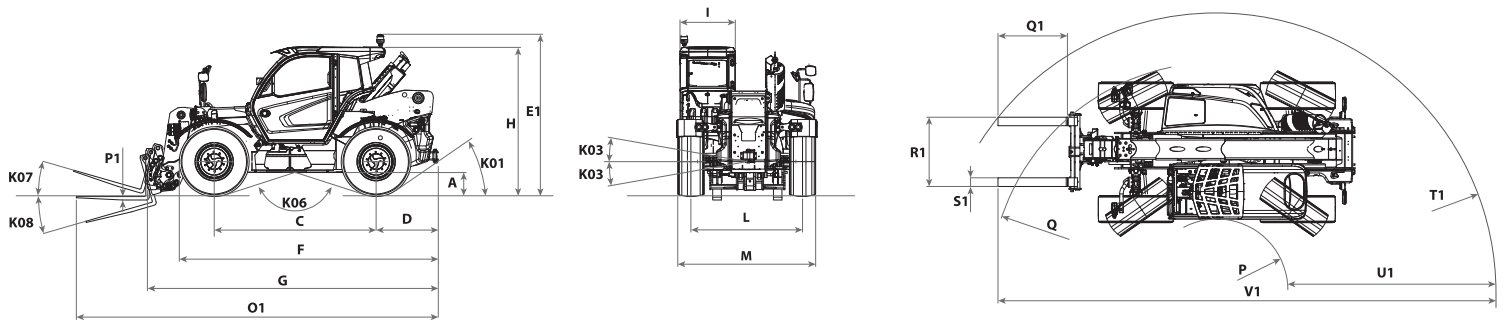
Vehicle model	AGRI MAX 50.8 VS EVO2 - GD	AGRI MAX 65.8 VS EVO2 - GD	AGRI MAX 60.9 VS EVO2 - GD	AGRI MAX 75.10 - GD
Unbraked trailer	7716 lb (3500 kg)	7716 lb (3500 kg)	7716 lb (3500 kg)	6614 lb (3000 kg)
Inertia braking	17637 lb (8000 kg)	17637 lb (8000 kg)	17637 lb (8000 kg)	-
Hydraulic/pneumatic braking	44092 lb (20000 kg)	44092 lb (20000 kg)	44092 lb (20000 kg)	44092 lb (20000 kg)

TIRES

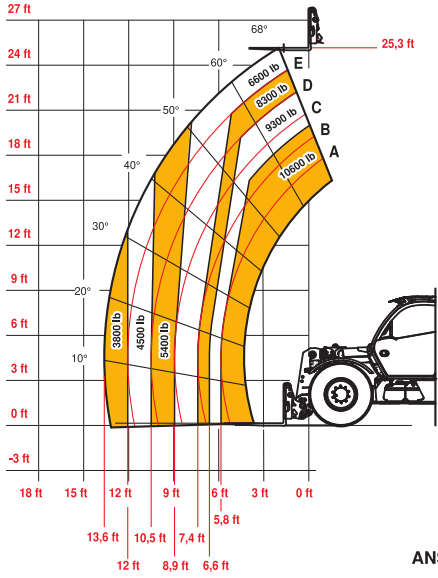
Vehicle model	AGRI MAX 50.8 VS EVO2 - GD	AGRI MAX 65.8 VS EVO2 - GD	AGRI MAX 60.9 VS EVO2 - GD	AGRI MAX 75.10 - GD
Standard tires	18-22.5"	18-22.5"	18-22.5"	18x22.5"

DIMENSIONS

Vehicle model	AGRI MAX 50.8 VS EVO2 - GD	AGRI MAX 65.8 VS EVO2 - GD	AGRI MAX 60.9 VS EVO2 - GD	AGRI MAX 75.10 - GD
A	15.7 in (400 mm)	15.7 in (400 mm)	15.7 in (400 mm)	15.4 in (390 mm)
C	110.2 in (2800 mm)	110.2 in (2800 mm)	110.2 in (2800 mm)	116.1 in (2950 mm)
D	40.8 in (1037 mm)	40.8 in (1037 mm)	40.8 in (1037 mm)	56.9 in (1445 mm)
E1	110.2 in (2800 mm)	110.2 in (2800 mm)	110.2 in (2800 mm)	114.2 in (2900 mm)
F	174.9 in (4442 mm)	174.9 in (4442 mm)	174.9 in (4442 mm)	196.5 in (4990 mm)
G	197.8 in (5023 mm)	197.8 in (5023 mm)	211.5 in (5373 mm)	232.7 in (5910 mm)
H	100.2 in (2545 mm)	100.2 in (2545 mm)	100.2 in (2545 mm)	103.9 in (2640 mm)
L	76.0 in (1930 mm)	76.0 in (1930 mm)	76.0 in (1930 mm)	76.0 in (1930 mm)
I	37.8 in (960 mm)	37.8 in (960 mm)	37.8 in (960 mm)	37.8 in (960 mm)
K01	37°	37°	37°	25°
K03	10°	10°	10°	10°
K06	144°	144°	144°	145°
K07	16°	16°	16°	13°
K08	131°	131°	131°	113°
M	93.5 in (2375 mm)	93.5 in (2375 mm)	94.1 in (2390 mm)	94.1 in (2390 mm)
O1	245.0 in (6223 mm)	245.0 in (6223 mm)	258.8 in (6573 mm)	285.8 in (7260 mm)
P	48.4 in (1229 mm)	48.4 in (1229 mm)	48.4 in (1229 mm)	52.2 in (1325 mm)
P1	2.4 in (60 mm)	2.4 in (60 mm)	2.4 in (60 mm)	3.1 in (80 mm)
Q	154.8 in (3933 mm)	154.8 in (3933 mm)	154.8 in (3933 mm)	158.9 in (4035 mm)
Q1	47.2 in (1200 mm)	47.2 in (1200 mm)	47.2 in (1200 mm)	47.2 in (1200 mm)
R1	47.2 in (1200 mm)	47.2 in (1200 mm)	47.2 in (1200 mm)	48.4 in (1230 mm)
S1	5.9 in (150 mm)	5.9 in (150 mm)	5.9 in (150 mm)	7.9 in (200 mm)
T1	189.9 in (4824 mm)	189.9 in (4824 mm)	200.9 in (5104 mm)	209.8 in (5330 mm)
U1	141.6 in (3596 mm)	141.6 in (3596 mm)	152.6 in (3875 mm)	157.5 in (4000 mm)
V1	339.1 in (8613 mm)	339.1 in (8613 mm)	339.1 in (8613 mm)	380.5 in (9665 mm)



MAX
10600 lb



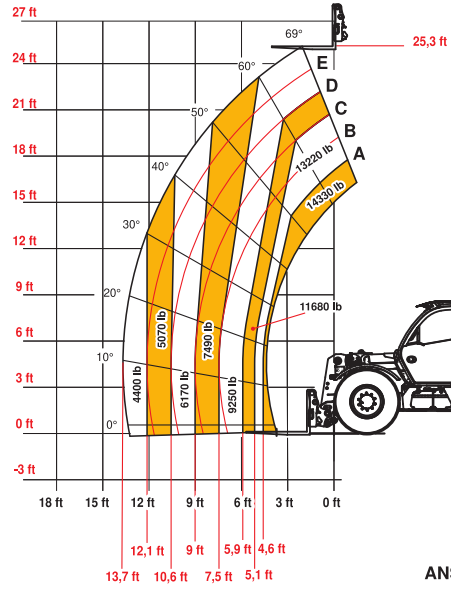
DOCDI0000945



ANSI B56.6

50.8

MAX
14330 lb



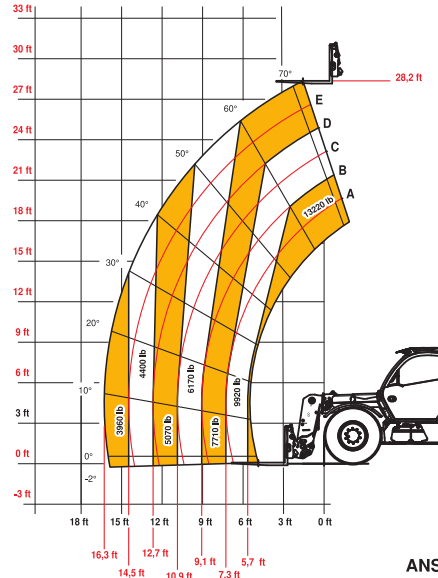
DOCDI0000947



ANSI B56.6

65.8

MAX
13220 lb



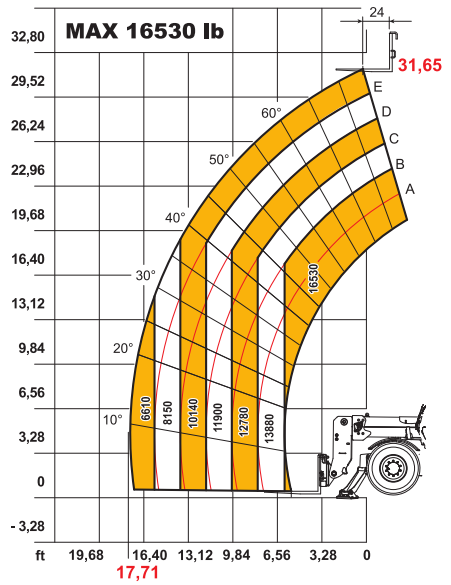
DOCDI0000949



ANSI B56.6

60.9

MAX 16530 lb

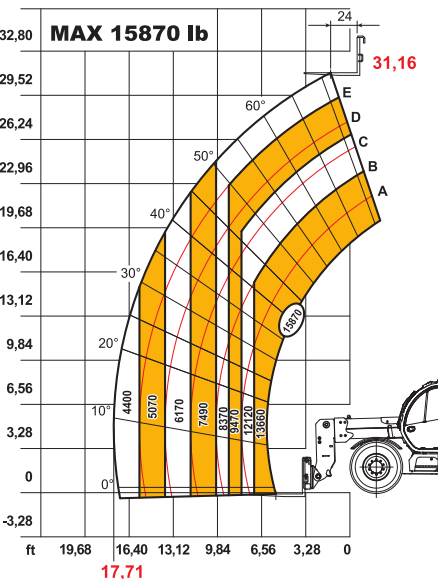


DOCDI0000237



75.10

MAX 15870 lb



DOCDI0000236



75.10