

DIECI
A M E R I C A S
T E L E H A N D L E R S



AGRI PIVOT

T60 | T70



dieci-americas.com

MASS

Vehicle model	AGRI PIVOT T60	AGRI PIVOT T70
Operating weight with standard bucket and quick coupling	13492 lb (6120 kg)	16755 lb (7600 kg)

PERFORMANCE

Vehicle model	AGRI PIVOT T60	AGRI PIVOT T70
Standard bucket capacity	30 ft ³ (0.85 m ³)	42 ft ³ (1.2 m ³)
Pull-out force	10791 lbf (4800 daN)	13489 lbf (6000 daN)
Towing force	12814 lbf (5700 daN)	14950 lbf (6650 daN)
Maximum climb angle	80%	80%
Max speed (referred to wheels with maximum permitted diameter)	24.9 mph (40 km/h)	24.9 mph (40 km/h)
Retracted in line tipping load	8929 lb (4050 kg)	9921 lb (4500 kg)
Retracted articulated tipping load	7882 lb (3575 kg)	8818 lb (4000 kg)
Extended in line tipping load	5181 lb (2350 kg)	5181 lb (2350 kg)
Extended articulated tipping load	4519 lb (2050 kg)	4630 lb (2100 kg)
Operating load EN474.3 (80%) retracted	4960 lb (2250 kg)	6614 lb (3000 kg)
Operating load EN474.3 (60%) retracted	3748 lb (1700 kg)	5071 lb (2300 kg)
Operating load EN474.3 (80%) extended	3086 lb (1400 kg)	3638 lb (1650 kg)
Operating load EN474.3 (60%) extended	2315 lb (1050 kg)	2756 lb (1250 kg)

BOOM

Vehicle model	AGRI PIVOT T60	AGRI PIVOT T70
Lifting	5.2 s	5.2 s
Descent	2.8 s	3 s
Extension	2.4 s	3.1 s
Retraction	1.3 s	1.8 s
Forward swiveling	1.8 s	3.2 s
Reverse swiveling	1.3 s	2 s

ENGINE

Vehicle model	AGRI PIVOT T60	AGRI PIVOT T70
Brand	Kubota	Perkins
Nominal power	73 HP (54.6 kW)	115 HP (85.9 kW)
@rpm	2600 rpm	2200 rpm
Peak power	-	115 HP (85.9 kW)
@rpm	-	2200 rpm
Operation	4-stroke	4-stroke
Injection	Electronic, Common Rail	Electronic, Common Rail
Number and arrangement of cylinders	4, Vertical in line	4, Vertical in line
Displacement	203 in ³ (3331 cm ³)	221 in ³ (3621 cm ³)
Intake	Turbo compressor	16-valve turbocharger with aftercooler
Cooling system	Liquid	Liquid
Emission standard	Stage V/Tier 4f	Stage V/Tier 4f

DIFFERENTIAL AXLES

Vehicle model	AGRI PIVOT T60	AGRI PIVOT T70
Type of axles	2 rigid, with 4 planetary reduction gears	2 rigid, with 4 planetary reduction gears
Type of steering	With articulated chassis with a total angle of 80°, servo-assisted by power steering (Load Sensing)	With articulated chassis with a total angle of 80°, servo-assisted by power steering (Load Sensing)
FRONT AXLE	Rigid, self-locking	Rigid, self-locking
Rear axle	Swinging with 20° total stroke	Swinging with 20° total stroke
Service braking	Oil bath on front and rear axles with servo brake	Oil bath with servo brake on front and rear axle
Parking braking	Negative actuation with electrical control	Negative actuation with electrical control

REFUELING

Vehicle model	AGRI PIVOT T60	AGRI PIVOT T70
Hydraulic system (total)	21.13 gal (80 l)	42.27 gal (160 l)
FUEL TANK	26.42 gal (100 l)	38.30 gal (145 l)
AdBlue tank	-	7.13 gal (27 l)

HYDRAULIC SYSTEM

Vehicle model	AGRI PIVOT T60	AGRI PIVOT T70
Hydraulic pump type	Gear pump for power steering and movements	Gear pump for power steering and movements
Hydraulic pump capacity	26.7 gal/min (101 l/min)	30.9 gal/min (117 l/min)
Max. operating pressure	3336 psi (23 MPa)	3626 psi (25 MPa)

TRANSMISSION

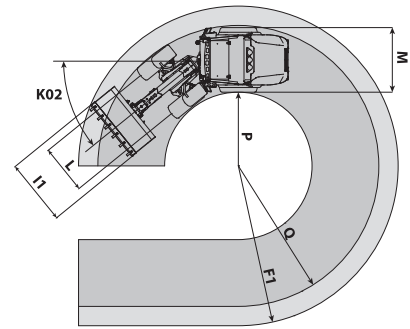
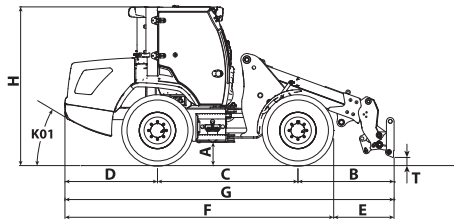
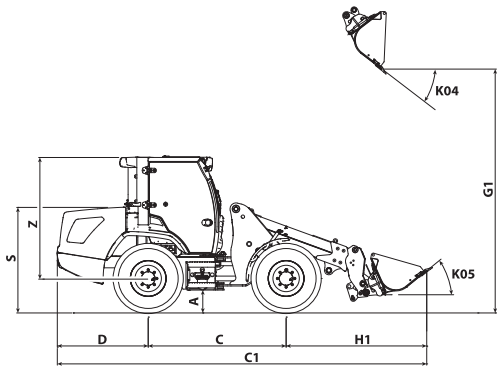
Vehicle model	AGRI PIVOT T60	AGRI PIVOT T70
Transmission type	Hydrostatic with variable displacement pump	Electronically controlled hydrostatic Shift on Fly with gear shift in motion and ECO function
Hydraulic motor	Hydrostatic with continuous automatic adjustment	Hydrostatic with continuous automatic adjustment
Transmission gearbox	Servo-controlled 2-speed	With 2-speed servo-controlled operated with vehicle in motion
Inching	With hydraulic pedal for controlled forward movement	With electronic pedal for controlled forward movement

TIRES

Vehicle model	AGRI PIVOT T60	AGRI PIVOT T70
Standard tires	405/70x20"	405/70-24"

DIMENSIONS

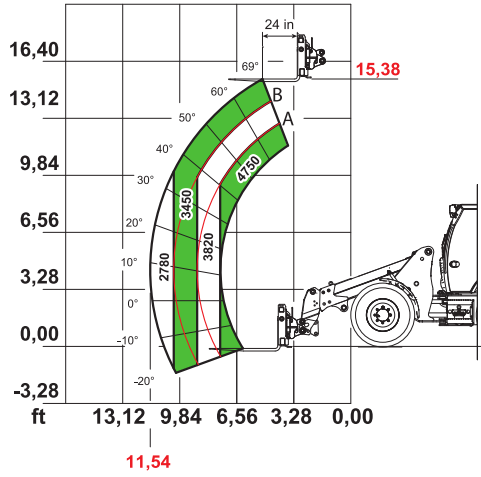
Vehicle model	AGRI PIVOT T60	AGRI PIVOT T70
A	14.4 in (365 mm)	15.2 in (385 mm)
B	68.9 in (1750 mm)	66.5 in (1690 mm)
C	86.6 in (2200 mm)	95.5 in (2425 mm)
C1	236.8 in (6015 mm)	258.7 in (6570 mm)
D	57.1 in (1450 mm)	61.8 in (1570 mm)
E	46.9 in (1190 mm)	40.9 in (1040 mm)
F	165.7 in (4210 mm)	182.9 in (4645 mm)
F1	183.9 in (4670 mm)	203.3 in (5165 mm)
G	212.6 in (5400 mm)	223.8 in (5685 mm)
G1	163.6 in (4155 mm)	173.2 in (4400 mm)
H	98.0 in (2490 mm)	105.5 in (2680 mm)
H1	93.1 in (2365 mm)	101.4 in (2575 mm)
I1	78.7 in (2000 mm)	82.7 in (2100 mm)
K01	30°	30°
K02	40°	40°
K04	40°	40°
K05	40°	40°
L	56.3 in (1430 mm)	70.5 in (1790 mm)
M	74.0 in (1880 mm)	86.6 in (2200 mm)
P	81.1 in (2060 mm)	91.7 in (2330 mm)
Q	157.9 in (4010 mm)	179.1 in (4550 mm)
S	66.9 in (1699 mm)	76.2 in (1935 mm)
T	3.7 in (93 mm)	6.3 in (160 mm)
Z	77.2 in (1962 mm)	82.7 in (2100 mm)



MAX 4750 lb



AXB1552/550

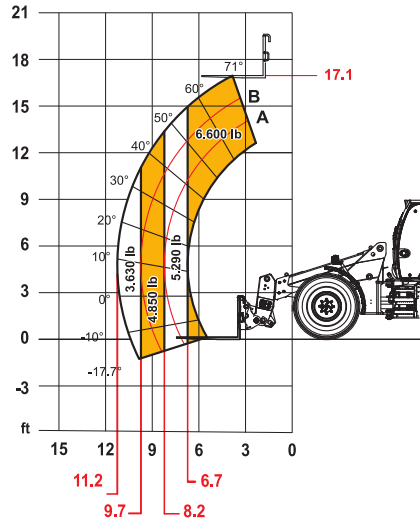


T60

MAX 6600 lb



DOC10001300



T70

EN474-3