

DIECI
A M E R I C A S
T E L E H A N D L E R S



AGRI STAR

37.7 | 40.8 | 38.10



dieci-americas.com

PERFORMANCE

Vehicle model	AGRI STAR 37.7 - GD	AGRI STAR 40.8 - GD	AGRI STAR 38.10 - GD
Maximum capacity	8200 lb (3719 kg)	8818 lb (4000 kg)	8378 lb (3800 kg)
Maximum lifting height	22.3 ft (6.8 m)	25.3 ft (7.7 m)	31.5 ft (9.6 m)
Maximum horizontal extension	12.4 ft (3.8 m)	14.1 ft (4.3 m)	20 ft (6.1 m)
Fork swiveling angle	146°	146°	146°
Pull-out force	18434 lbf (8200 daN)	18434 lbf (8200 daN)	18434 lbf (8200 daN)
Towing force	12589 lbf (5600 daN)	12589 lbf (5600 daN)	12589 lbf (5600 daN)
Unladen mass	17086 lb (7750 kg)	18739 lb (8500 kg)	19401 lb (8800 kg)
Maximum climb angle	45%	45%	45%
Max speed (referred to wheels with maximum permitted diameter)	23.6 mph (38 km/h)	23.6 mph (38 km/h)	23.6 mph (38 km/h)

BOOM

Vehicle model	AGRI STAR 37.7 - GD	AGRI STAR 40.8 - GD	AGRI STAR 38.10 - GD
Lifting	7.5 s	8.9 s	9.3 s
Descent	5.3 s	7.1 s	7.4 s
Extension	5.3 s	6.1 s	8.4 s
Retraction	4 s	4.6 s	6.9 s
Forward swiveling	4.1 s	4.1 s	4.1 s
Reverse swiveling	2.3 s	2.3 s	2.3 s

ENGINE

Vehicle model	AGRI STAR 37.7 - GD	AGRI STAR 40.8 - GD	AGRI STAR 38.10 - GD
Brand	Perkins	Perkins	Perkins
Nominal power	134 HP (100 kW)	134 HP (100 kW)	134 HP (100 kW)
@rpm	2200 rpm	2200 rpm	2200 rpm
Operation	4-stroke	4-stroke	4-stroke
Injection	Electronic, Common Rail	Electronic, Common Rail	Electronic, Common Rail
Number and arrangement of cylinders	4, Vertical in line	4, Vertical in line	4, Vertical in line
Displacement	221 in ³ (3621 cm ³)	221 in ³ (3621 cm ³)	221 in ³ (3621 cm ³)
Consumption	355.32 lb/Hp h (216 g/kWh)	355.32 lb/Hp h (216 g/kWh)	355.32 lb/Hp h (216 g/kWh)
@rpm	2200 rpm	2200 rpm	2200 rpm
Emission standard	Stage V	Stage V	Stage V
Exhaust gas treatment	DOC+DPF+SCR (with AdBlue)	DOC+DPF+SCR (with AdBlue)	DOC+DPF+SCR (with AdBlue)
Cooling system	Liquid	Liquid	Liquid
Intake	16-valve turbocharger with aftercooler	16-valve turbocharger with aftercooler	16-valve turbocharger with aftercooler

DIFFERENTIAL AXLES

Vehicle model	AGRI STAR 37.7 - GD	AGRI STAR 40.8 - GD	AGRI STAR 38.10 - GD
Type of axles	2 steering, with 4 epicycloidal reduction gears	2 steering, with 4 epicycloidal reduction gears	2 steering, with 4 epicycloidal reduction gears
Type of steering	4 wheels / transversal / 2 wheels	4 wheels / transversal / 2 wheels	4 wheels / transversal / 2 wheels
FRONT AXLE	Rigid (Levelling upon request)	Rigid (Levelling upon request)	Rigid (Levelling upon request)
Rear axle	Swinging	Swinging	Swinging
Service braking	Oil bath with servo brake on front and rear axle with double hydraulic system	Oil bath with servo brake on front and rear axle with double hydraulic system	Oil bath with servo brake on front and rear axle with double hydraulic system
Parking braking	Negative actuation with electronic control	Negative actuation with electronic control	Negative actuation with electronic control

HYDRAULIC SYSTEM

Vehicle model	AGRI STAR 37.7 - GD	AGRI STAR 40.8 - GD	AGRI STAR 38.10 - GD
Hydraulic pump type	No. 1 LS piston pump for power-steering and boom movements. No. 1 gear pump for and Fan Drive.	No. 1 LS piston pump for power-steering and boom movements. No. 1 gear pump for and Fan Drive.	No. 1 LS piston pump for power-steering and boom movements. No. 1 gear pump for and Fan Drive.
Hydraulic pump capacity	44.9 gal/min (170 l/min)	44.9 gal/min (170 l/min)	44.9 gal/min (170 l/min)
Max. operating pressure	3698 psi (25.5 MPa)	3698 psi (25.5 MPa)	3698 psi (25.5 MPa)
Distributor control	Proportional 4 in 1 Joystick with FNR	Proportional 4 in 1 Joystick with FNR	Proportional 4 in 1 Joystick with FNR

REFUELING

Vehicle model	AGRI STAR 37.7 - GD	AGRI STAR 40.8 - GD	AGRI STAR 38.10 - GD
Hydraulic system (total)	44.91 gal (170 l)	44.91 gal (170 l)	44.91 gal (170 l)
FUEL TANK	46.23 gal (175 l)	46.23 gal (175 l)	46.23 gal (175 l)
AdBlue tank	5.02 gal (19 l)	5.02 gal (19 l)	5.02 gal (19 l)

TRANSMISSION

Vehicle model	AGRI STAR 37.7 - GD	AGRI STAR 40.8 - GD	AGRI STAR 38.10 - GD
Transmission type	Single speed Hydrostatic transmission with variable displacement pump	Single speed Hydrostatic transmission with variable displacement pump	Single speed Hydrostatic transmission with variable displacement pump
Reversal	Electro-Hydraulic	Electro-Hydraulic	Electro-Hydraulic
Inching	With electronic pedal for controlled forward movement	With electronic pedal for controlled forward movement	With electronic pedal for controlled forward movement

TOWING CAPACITY

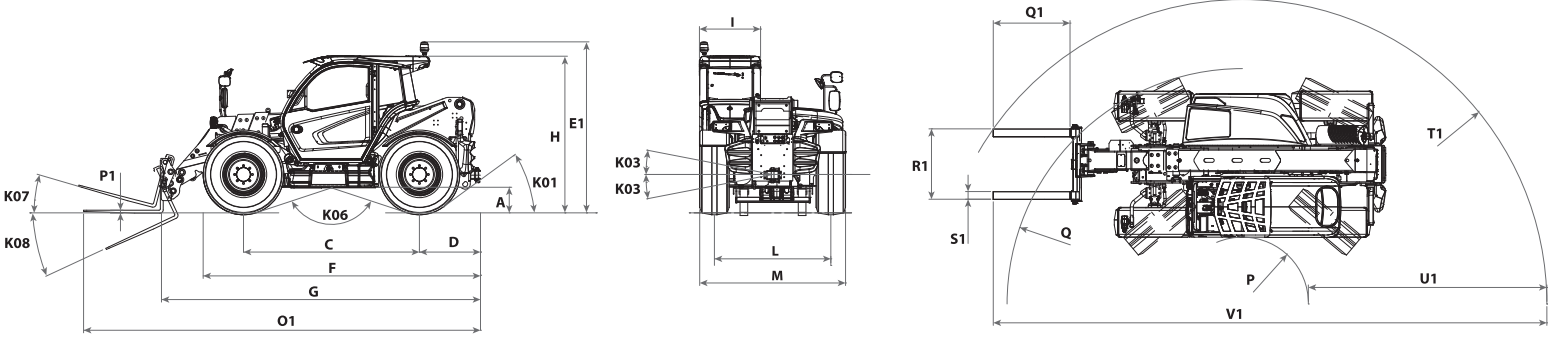
Vehicle model	AGRI STAR 37.7 - GD	AGRI STAR 40.8 - GD	AGRI STAR 38.10 - GD
Unbraked trailer	7716 lb (3500 kg)	7716 lb (3500 kg)	7716 lb (3500 kg)
Inertia braking	17637 lb (8000 kg)	17637 lb (8000 kg)	17637 lb (8000 kg)
Hydraulic/pneumatic braking	44092 lb (20000 kg)	44092 lb (20000 kg)	44092 lb (20000 kg)

TIRES

Vehicle model	AGRI STAR 37.7 - GD	AGRI STAR 40.8 - GD	AGRI STAR 38.10 - GD
Standard tires	400/70-24"	400/70-24"	400/70-24"

DIMENSIONS

Vehicle model	AGRI STAR 37.7 - GD	AGRI STAR 40.8 - GD	AGRI STAR 38.10 - GD
A	10.2 in (260 mm)	14.2 in (360 mm)	14.2 in (360 mm)
C	108.3 in (2750 mm)	108.3 in (2750 mm)	108.3 in (2750 mm)
D	34.4 in (875 mm)	36.9 in (937 mm)	36.9 in (937 mm)
E1	103.5 in (2630 mm)	103.5 in (2630 mm)	103.5 in (2630 mm)
F	166.0 in (4216 mm)	168.4 in (4277 mm)	168.4 in (4277 mm)
G	192.9 in (4900 mm)	203.2 in (5162 mm)	192.8 in (4897 mm)
H	94.9 in (2410 mm)	94.9 in (2410 mm)	94.9 in (2410 mm)
L	73.6 in (1870 mm)	73.6 in (1870 mm)	73.6 in (1870 mm)
I	37.8 in (960 mm)	37.8 in (960 mm)	37.8 in (960 mm)
K01	36°	31°	31°
K03	9°	9°	9°
K06	150°	150°	150°
K07	16°	16°	16°
K08	130°	130°	130°
M	90.2 in (2290 mm)	90.2 in (2290 mm)	90.2 in (2290 mm)
O1	240.2 in (6100 mm)	250.5 in (6362 mm)	243.6 in (6187 mm)
P	40.6 in (1031 mm)	40.6 in (1031 mm)	40.6 in (1031 mm)
P1	1.8 in (45 mm)	1.8 in (45 mm)	1.8 in (45 mm)
Q	144.8 in (3679 mm)	144.8 in (3679 mm)	144.8 in (3679 mm)
Q1	47.2 in (1200 mm)	47.2 in (1200 mm)	47.2 in (1200 mm)
R1	43.3 in (1100 mm)	43.3 in (1100 mm)	43.3 in (1100 mm)
S1	4.7 in (120 mm)	4.7 in (120 mm)	4.7 in (120 mm)
T1	184.7 in (4691 mm)	200.9 in (5102 mm)	187.4 in (4759 mm)
U1	145.9 in (3706 mm)	160.3 in (4072 mm)	146.8 in (3729 mm)
V1	338.5 in (8599 mm)	370.3 in (9406 mm)	340.7 in (8655 mm)



ON DEMAND

37.7

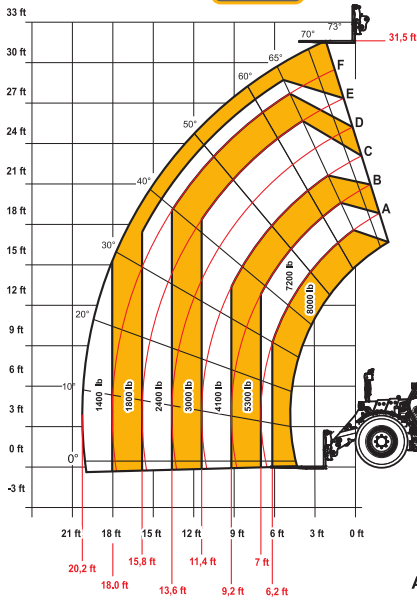
ON DEMAND

40.8

MAX
8000 lb



DOCDI0000943



38.10