

# AGRI STAR

37.7 | 40.8 | 38.10



**DIECI**



## CONTINUOUS EVOLUTION

Constantly ahead in terms of technological solutions, Dieci continues the evolutionary process of its vehicles, raising the standards with the **New Agriculture Range**.

**Reliability, efficiency and comfort** have reached unprecedented levels through improved design and instrumentation and the introduction of **innovation and technology**.

New **Stage V** engines on the whole range, **360° suspended cab** and **new interior, more intuitive and functional diagnostics and controls, new chassis and new transmissions**, bring tomorrow's agricultural telehandlers into the field today.

**AGRI STAR**, among the most agile of Dieci's agricultural vehicles, has been redesigned on a human scale: with the new futuristic cab signed by Giugiaro Design and important interventions on comfort and performance. We have provided farmers with a **top-quality telehandler**.

# AGRI STAR

NEW MODELS 37.7 | 40.8 | 38.10

## AGILE AND FAST

A high-performance vehicle for a streamlined and efficient production cycle.

Agri Star is **among the most agile** of Dieci's agricultural telehandlers, ideal for work in confined spaces.

The **single-speed hydrostatic transmission** eliminates gear changes, maximizes precision of movement and ensures high towing force even at high speeds.



### 37.7 AGRI STAR

- ↑ Maximum lifting: 6.8 m
- 📦 Capacity: 3.7 t

### 40.8 AGRI STAR

- ↑ Maximum lifting: 7.7 m
- 📦 Capacity: 4 t

### 38.10 AGRI STAR

- ↑ Maximum lifting: 9.6 m
- 📦 Capacity: 3.8 t



# SUSPENDED CAB



EXCLUSIVE DIECI

## ZERO SHOCK SYSTEM

**Cab shock-absorbing system**, unique in the telehandler sector, capable of effectively dampening the most annoying oscillations on the roughest terrain.

The **hydraulic suspension of the cab** effectively reduces oscillations and offers a high driving comfort through **4 supports that absorb impacts and jolts in every direction**: lateral, vertical, rear and front.



Front Silent Block with variable absorption



Rear hydraulic shock absorbers





# TOTAL COMFORT

## MORE VALUE

- Cab by Giugiaro Design
- Refined soft-touch interiors, derived from the automotive industry

## MORE LEGROOM

- Best-in-class ergonomics and accessibility
- More space for the operator's legs

## MORE COMFORT

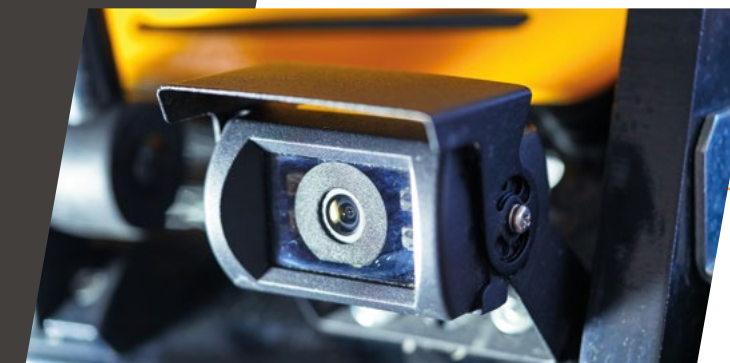
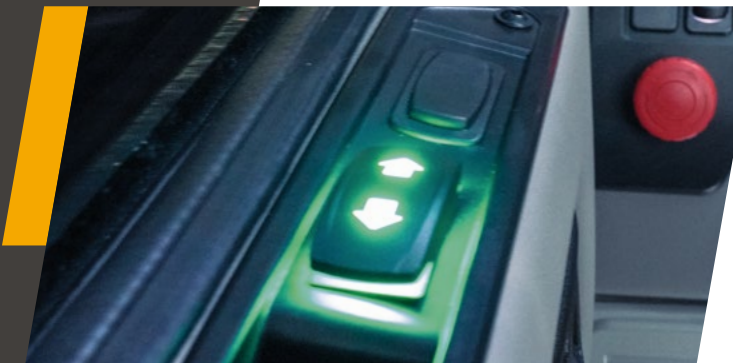
- Adjustable steering column and armrest
- Heated seat, 3 suspension system options
- Soundproofing roof, dashboard and mat
- Quick demisting of the windows

## MORE VISIBILITY

- Large windows
- Integrated LED worklights on the cab - Headlights on the perimeter, on the boom and on the boom head
- Up to 3 wireless cameras

## BETTER CLIMATE CONTROL

- Optimized internal ventilation: 6 adjustable vents
- Rear glass and openable roof
- Electric lateral window
- Quick demisting of the windows
- Air conditioning system with double air filter
- Operator protected against dust and odors



# SINGLE CONTROL

- **Boom movements and travel direction** are controlled uniquely by the **electronic joystick**, which integrates the **shuttle control (FNR)**, for fast, intuitive and comfortable control.
- All vehicle control functions are handled by a new **Electronic Control Unit** that monitors the working parameters while optimizing boom movements and speed.
- Precise movement control improves operator comfort and extends component life.
- **Load Sensing - Flow Sharing hydraulic distributor**: these two technologies ensure more simultaneous movements and greater response to controls, for more effective and safe work.
- **Continuous oil function** as standard.



# SINGLE-SPEED HYDROSTATIC TRANSMISSION

- **Extremely high performance:** best speed-power ratio maintained in all working conditions
- **Guaranteed traction and speed,** with no need to change gear
- Up to 38 Km/h at progressive speed: **unrivaled fluidity of movement** and **millimetric precision** in small movements
- Electronic accelerator and Inching pedal: **accurate and controlled movement at any speed,** even with the boom at full power
- **Great comfort:** no gear shifting, no torque interruption
- **Creeper function:** adjustable forward speed with the accelerator pedal, constant engine speed and oil flow rate to effectively use equipment such as sweepers or straw spreaders



# STAGE V: FAST, ACCURATE AND ECOLOGICAL

Always attentive to environmental issues, Dieci has made a great effort to update the engines of the New Agriculture Range to **Stage V** regulations, implementing the DOC and SCR systems and the DPF filter to limit atmospheric emissions.

All without compromising on **power, reliability and high performance:** this is the spirit of the new engine that drives all the models of the AGRI STAR family. A cutting-edge engine with a fully electronic control, to optimize **power output and efficiency.**

## HIGH PERFORMANCE

- Torque up to 550 Nm at only 1500 rpm

## ELECTRONIC EVOLUTION

- Complete electronic control: optimized output and efficiency

## LONG AUTONOMY

- Top-of-range tank: 175 liters of fuel

## MINIMUM EMISSIONS

- **Stage V** system
- DOC+SCR catalysts
- DPF
- 19 liter Urea tank



# ADVANCED TECHNOLOGY

## AUTOMATIC COUPLING SYSTEM

- Tools recognition without manual operations: easier, maximum safety
- Immediate vehicle setting for different uses

## ELECTRONIC SUSPENSION MANAGEMENT

Electronic control of boom suspension according to speed, for top efficiency performance in total safety.



## DTS

The **Dieci Telematic System** is the innovative telematic system that allows to interact with the vehicle remotely to geolocate it, monitor its operating parameters, measure its performance and limit its use.

By installing a high-tech control unit, the customer and the manufacturer can **connect to the vehicle in real time** from a computer or any mobile device and, through the **GSM and GPS networks**, discover where, if and how the machine is working, and **detect operating anomalies**, if any.

The operating data, collected via cloud, enable full **monitoring and diagnostics**. The support team and user can analyze the parameters directly, identify shortfalls in performance, and improve functionality or identify any maintenance operations required, thereby **optimizing costs** and ensuring **the vehicle and fleet are maintained in peak efficiency**.

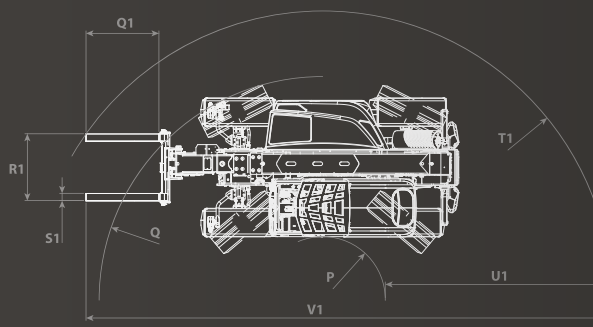
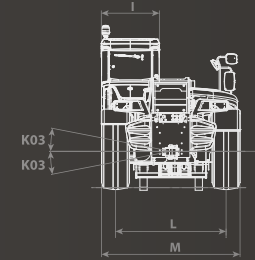
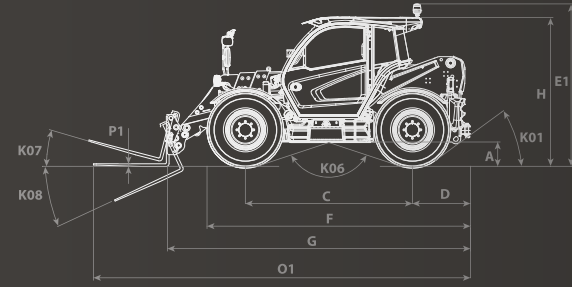
The machine and its operators benefit from **active protection against theft and accident**: a notification is sent immediately if the vehicle leaves the predefined area. By setting a safe operating track, the operator is immediately alerted to any risk of impact or anomaly.



# TECHNICAL DATA

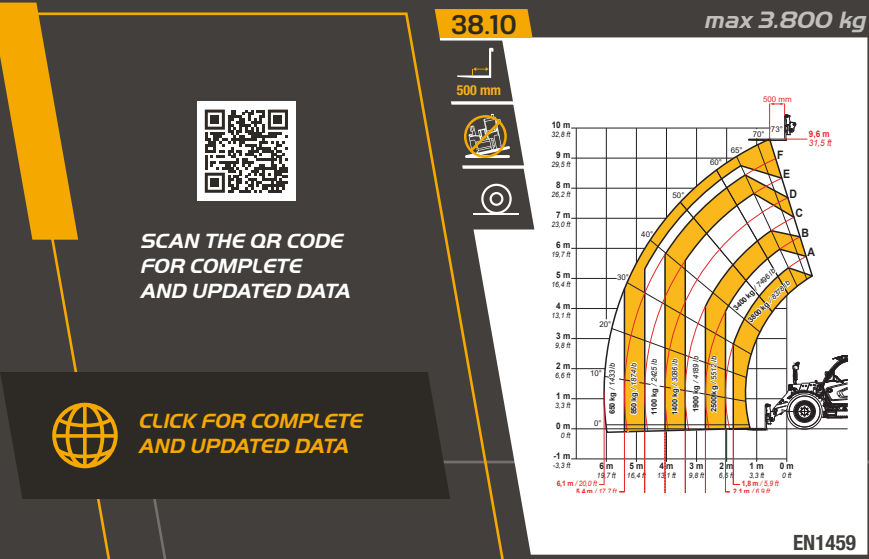
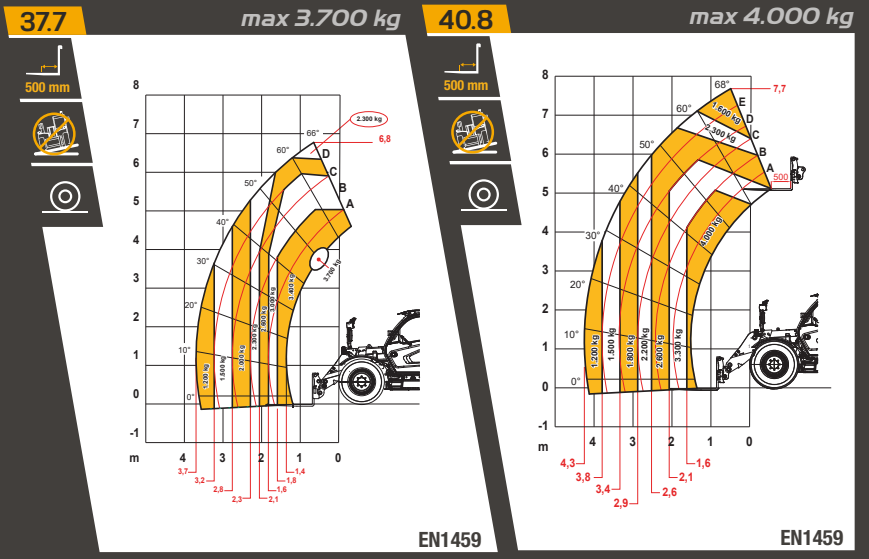
PERFORMANCE			
Vehicle model	AGRI STAR 37.7 - GD	AGRI STAR 40.8 - GD	AGRI STAR 38.10 - GD
Maximum capacity	3700 kg (8157 lb)	4000 kg (8818 lb)	3800 kg (8378 lb)
Maximum lifting height	6,8 m (22,3 ft)	7,7 m (25,3 ft)	9,6 m (31,5 ft)
Maximum horizontal extension	3,7 m (12,1 ft)	4,3 m (14,1 ft)	6,1 m (20,0 ft)
Fork swiveling angle	146 °	146 °	146 °
Pull-out force	8200 daN (18434 lbf)	8200 daN (18434 lbf)	8200 daN (18434 lbf)
Towing force	5600 daN (12589 lbf)	5600 daN (12589 lbf)	5600 daN (12589 lbf)
Maximum climb angle	45 %	45 %	45 %
Unladen weight	7750 kg (17086 lb)	8500 kg (18739 lb)	8800 kg (19401 lb)
Max speed (referred to wheels with maximum permitted diameter)	38 km/h (23,6 mph)	38 km/h (23,6 mph)	38 km/h (23,6 mph)

ENGINE			
Vehicle model	AGRI STAR 37.7 - GD	AGRI STAR 40.8 - GD	AGRI STAR 38.10 - GD
Brand	Perkins	Perkins	Perkins
Nominal power	100 kW (134 HP)	100 kW (134 HP)	100 kW (134 HP)
@rpm	2200 rpm	2200 rpm	2200 rpm
Displacement	3621 cm³ (221 in³)	3621 cm³ (221 in³)	3621 cm³ (221 in³)
Emission standard	Stage V	Stage V	Stage V
Exhaust gas treatment	DOC+DPF+SCR (con AdBlue)	DOC+DPF+SCR (con AdBlue)	DOC+DPF+SCR (con AdBlue)



HYDRAULIC SYSTEM			
Vehicle model	AGRI STAR 37.7 - GD	AGRI STAR 40.8 - GD	AGRI STAR 38.10 - GD
Hydraulic pump capacity	170 l/min (44,9 gal/min)	170 l/min (44,9 gal/min)	170 l/min (44,9 gal/min)
Max. operating pressure	25,5 MPa (3698 psi)	25,5 MPa (3698 psi)	25,5 MPa (3698 psi)

DIMENSIONS			
Vehicle model	AGRI STAR 37.7 - GD	AGRI STAR 40.8 - GD	AGRI STAR 38.10 - GD
A	260 mm (10,2 in)	360 mm (14,2 in)	360 mm (14,2 in)
C	2750 mm (108,3 in)	2750 mm (108,3 in)	2750 mm (108,3 in)
D	875 mm (34,4 in)	937 mm (36,9 in)	937 mm (36,9 in)
E1	2630 mm (103,5 in)	2630 mm (103,5 in)	2630 mm (103,5 in)
F	4216 mm (166,0 in)	4277 mm (168,4 in)	4277 mm (168,4 in)
G	4900 mm (192,9 in)	5162 mm (203,2 in)	4897 mm (192,8 in)
H	2410 mm (94,9 in)	2410 mm (94,9 in)	2410 mm (94,9 in)
I	960 mm (37,8 in)	960 mm (37,8 in)	960 mm (37,8 in)
K01	36 °	31 °	31 °
K03	9 °	9 °	9 °
K06	150 °	150 °	150 °
K07	16 °	16 °	16 °
K08	130 °	130 °	130 °
L	1870 mm (73,6 in)	1870 mm (73,6 in)	1870 mm (73,6 in)
M	2290 mm (90,2 in)	2290 mm (90,2 in)	2290 mm (90,2 in)
O1	6100 mm (240,2 in)	6362 mm (250,5 in)	6187 mm (243,6 in)
P	1031 mm (40,6 in)	1031 mm (40,6 in)	1031 mm (40,6 in)
P1	45 mm (1,8 in)	45 mm (1,8 in)	45 mm (1,8 in)
Q	3679 mm (144,8 in)	3679 mm (144,8 in)	3679 mm (144,8 in)
Q1	1200 mm (47,2 in)	1200 mm (47,2 in)	1200 mm (47,2 in)
R1	1100 mm (43,3 in)	1100 mm (43,3 in)	1100 mm (43,3 in)
S1	120 mm (4,7 in)	120 mm (4,7 in)	120 mm (4,7 in)
T1	4691 mm (184,7 in)	5102 mm (200,9 in)	4759 mm (187,4 in)
U1	3706 mm (145,9 in)	4072 mm (160,3 in)	3729 mm (146,8 in)
V1	8599 mm (338,5 in)	9406 mm (370,3 in)	8655 mm (340,7 in)



SCAN THE QR CODE FOR COMPLETE AND UPDATED DATA



CLICK FOR COMPLETE AND UPDATED DATA

# DIECI SERVICE

General headquarters in Emilia Romagna - over 135,000 square meters and about 400 people employed - and 3 branches in Germany, United Kingdom, France: Dieci is present in over 70 Countries with **an extensive network of over 400 dealers** and authorized service centers.

**Dieci Service**, our global technical assistance service, is developed on this basis: our customers are assisted directly by specialized technicians and every request is satisfied in a very short time. Dieci Service, **within a few hours, can provide interventions and spare parts all over the world.**

Visit [www.dieci.com](http://www.dieci.com) to find the dealer closest to you.

400 DEALERS

70 COUNTRIES

3 BRANCHES

# AGRI STAR

37.7 | 40.8 | 38.10

INVICTO

**DIECI**

[www.dieci.com](http://www.dieci.com)



Ph: masterservicelorenz.it