

DIECI
A M E R I C A S
T E L E H A N D L E R S



DEDALUS

30.7 | 34.7 | 30.9 | 32.9



dieci-americas.com

PERFORMANCE

| | | | | |
|--|----------------------|----------------------|----------------------|----------------------|
| Vehicle model | DEDALUS 30.7 - GD | DEDALUS 34.7 - GD | DEDALUS 30.9 - GD | DEDALUS 32.9 - GD |
| Maximum capacity | 6600 lb (2994 kg) | 7550 lb (3425 kg) | 6600 lb (2994 kg) | 7000 lb (3175 kg) |
| Maximum lifting height | 20.8 ft (6.35 m) | 20.8 ft (6.35 m) | 28.4 ft (8.65 m) | 28.4 ft (8.65 m) |
| Maximum horizontal extension | 12.1 ft (3.7 m) | 12.1 ft (3.7 m) | 18.8 ft (5.7 m) | 18.7 ft (5.7 m) |
| Fork swiveling angle | 146° | 146° | 146° | 146° |
| Pull-out force | 13039 lbf (5800 daN) | 13039 lbf (5800 daN) | 13039 lbf (5800 daN) | 13039 lbf (5800 daN) |
| Towing force | 13039 lbf (5800 daN) | 13039 lbf (5800 daN) | 13039 lbf (5800 daN) | 13039 lbf (5800 daN) |
| Maximum climb angle | 40% | 40% | 40% | 40% |
| Unladen mass | 14771 lb (6700 kg) | 15322 lb (6950 kg) | 15168 lb (6880 kg) | 15543 lb (7050 kg) |
| Max speed (referred to wheels with maximum permitted diameter) | 22.4 mph (36 km/h) | 22.4 mph (36 km/h) | 22.4 mph (36 km/h) | 22.4 mph (36 km/h) |

BOOM

| | | | | |
|-------------------|-------------------|-------------------|-------------------|-------------------|
| Vehicle model | DEDALUS 30.7 - GD | DEDALUS 34.7 - GD | DEDALUS 30.9 - GD | DEDALUS 32.9 - GD |
| Lifting | 8.2 s | 8.2 s | 8.9 s | 8.9 s |
| Descent | 4.2 s | 4.2 s | 4.6 s | 4.6 s |
| Extension | 6.2 s | 6.2 s | 5.7 s | 5.7 s |
| Retraction | 3.5 s | 3.5 s | 3.2 s | 3.2 s |
| Forward swiveling | 3.5 s | 3.5 s | 3.5 s | 3.5 s |
| Reverse swiveling | 2 s | 2 s | 1.9 s | 1.9 s |

ENGINE

| | | | | |
|-------------------------------------|---|---|---|---|
| Vehicle model | DEDALUS 30.7 - GD | DEDALUS 34.7 - GD | DEDALUS 30.9 - GD | DEDALUS 32.9 - GD |
| Brand | Kubota | Kubota | Kubota | Kubota |
| Nominal power | 74 HP (55.4 kW) | 74 HP (55.4 kW) | 74 HP (55.4 kW) | 74 HP (55.4 kW) |
| @rpm | 2600 rpm | 2600 rpm | 2600 rpm | 2600 rpm |
| Peak power | 74 HP (55.4 kW) | 74 HP (55.4 kW) | 74 HP (55.4 kW) | 74 HP (55.4 kW) |
| @rpm | 2600 rpm | 2600 rpm | 2600 rpm | 2600 rpm |
| Operation | 4-stroke | 4-stroke | 4-stroke | 4-stroke |
| Injection | Electronic, Common Rail | Electronic, Common Rail | Electronic, Common Rail | Electronic, Common Rail |
| Number and arrangement of cylinders | 4, Vertical in line | 4, Vertical in line | 4, Vertical in line | 4, Vertical in line |
| Displacement | 203 in ³ (3331 cm ³) | 203 in ³ (3331 cm ³) | 203 in ³ (3331 cm ³) | 203 in ³ (3331 cm ³) |
| Consumption | 375.06 lb/Hp h (228 g/kWh) | 375.06 lb/Hp h (228 g/kWh) | 375.06 lb/Hp h (228 g/kWh) | 375.06 lb/Hp h (228 g/kWh) |
| @rpm | 2600 rpm | 2600 rpm | 2600 rpm | 2600 rpm |
| Emission standard | Stage V/Tier 4f | Stage V/Tier 4f | Stage V/Tier 4f | Stage V/Tier 4f |
| Exhaust gas treatment | DOC+DPF | DOC+DPF | DOC+DPF | DOC+DPF |
| Cooling system | Liquid | Liquid | Liquid | Liquid |
| Intake | Turbocharger after-cooler | Turbocharger after-cooler | Turbocharger after-cooler | Turbocharger after-cooler |

DIFFERENTIAL AXLES

| | | | | |
|------------------|---|---|---|---|
| Vehicle model | DEDALUS 30.7 - GD | DEDALUS 34.7 - GD | DEDALUS 30.9 - GD | DEDALUS 32.9 - GD |
| Type of axles | 2 steering, with 4 epicycloidal reduction gears | 2 steering, with 4 epicycloidal reduction gears | 2 steering, with 4 epicycloidal reduction gears | 2 steering, with 4 epicycloidal reduction gears |
| Type of steering | 4 wheels / transversal / 2 wheels | 4 wheels / transversal / 2 wheels | 4 wheels / transversal / 2 wheels | 4 wheels / transversal / 2 wheels |
| FRONT AXLE | Rigid | Rigid | Rigid | Rigid |
| Rear axle | Swinging | Swinging | Swinging | Swinging |
| Service braking | Oil bath with servo brake on front and rear axle with double hydraulic system | Oil bath with servo brake on front and rear axle with double hydraulic system | Oil bath with servo brake on front and rear axle with double hydraulic system | Oil bath with servo brake on front and rear axle with double hydraulic system |
| Parking braking | Negative actuation with electrical control | Negative actuation with electrical control | Negative actuation with electrical control | Negative actuation with electrical control |

HYDRAULIC SYSTEM

| | | | | |
|-------------------------|--|--|--|--|
| Vehicle model | DEDALUS 30.7 - GD | DEDALUS 34.7 - GD | DEDALUS 30.9 - GD | DEDALUS 32.9 - GD |
| Hydraulic pump type | Gear pump for power steering and movements | Gear pump for power steering and movements | Gear pump for power steering and movements | Gear pump for power steering and movements |
| Hydraulic pump capacity | 26.4 gal/min (100 l/min) | 26.4 gal/min (100 l/min) | 26.4 gal/min (100 l/min) | 26.4 gal/min (100 l/min) |
| Max. operating pressure | 3553 psi (24.5 MPa) | 3727 psi (25.7 MPa) | 3553 psi (24.5 MPa) | 3727 psi (25.7 MPa) |
| Distributor control | Proportional 4 in 1 Joystick with FNR | Proportional 4 in 1 Joystick with FNR | Proportional 4 in 1 Joystick with FNR | Proportional 4 in 1 Joystick with FNR |

REFUELING

| | | | | |
|--------------------------|-------------------|-------------------|-------------------|-------------------|
| Vehicle model | DEDALUS 30.7 - GD | DEDALUS 34.7 - GD | DEDALUS 30.9 - GD | DEDALUS 32.9 - GD |
| Hydraulic system (total) | 36.98 gal (140 l) | 36.98 gal (140 l) | 36.98 gal (140 l) | 36.98 gal (140 l) |
| FUEL TANK | 26.42 gal (100 l) | 26.42 gal (100 l) | 26.42 gal (100 l) | 26.42 gal (100 l) |

TRANSMISSION

| | | | | |
|-------------------|---|---|---|---|
| Vehicle model | DEDALUS 30.7 - GD | DEDALUS 34.7 - GD | DEDALUS 30.9 - GD | DEDALUS 32.9 - GD |
| Transmission type | Hydrostatic with variable displacement pump | Hydrostatic with variable displacement pump | Hydrostatic with variable displacement pump | Hydrostatic with variable displacement pump |
| Reversal | With electronic control operated with vehicle in motion | With electronic control operated with vehicle in motion | With electronic control operated with vehicle in motion | With electronic control operated with vehicle in motion |
| Inching | With electronic pedal for controlled forward movement | With electronic pedal for controlled forward movement | With electronic pedal for controlled forward movement | With electronic pedal for controlled forward movement |

TOWING CAPACITY

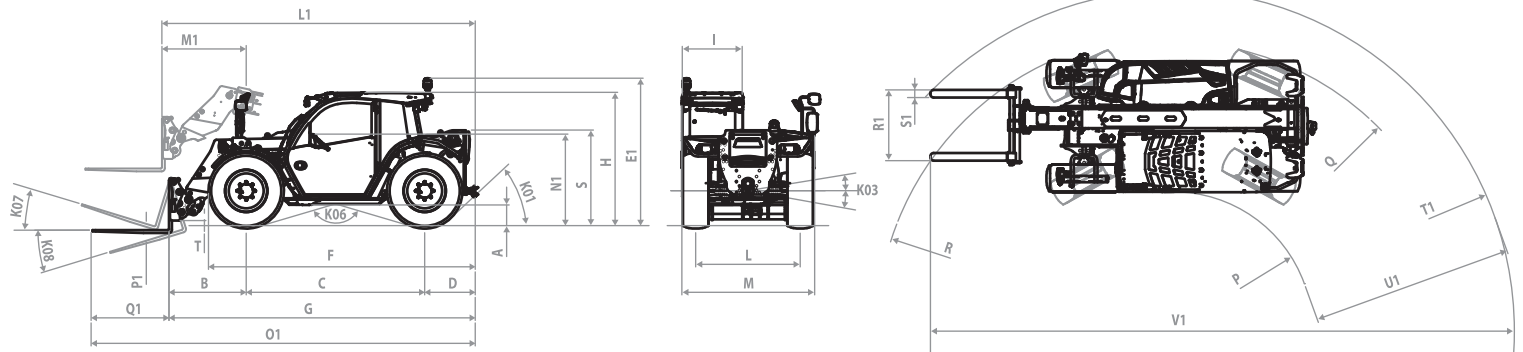
| | | | | |
|---------------|-------------------|-------------------|-------------------|-------------------|
| Vehicle model | DEDALUS 30.7 - GD | DEDALUS 34.7 - GD | DEDALUS 30.9 - GD | DEDALUS 32.9 - GD |
|---------------|-------------------|-------------------|-------------------|-------------------|

TIRES

| | | | | |
|----------------|-------------------|-------------------|-------------------|-------------------|
| Vehicle model | DEDALUS 30.7 - GD | DEDALUS 34.7 - GD | DEDALUS 30.9 - GD | DEDALUS 32.9 - GD |
| Standard tires | 405/70-20" | 405/70-20" | 405/70-20" | 405/70-20" |

DIMENSIONS

| Vehicle model | DEDALUS 30.7 - GD | DEDALUS 34.7 - GD | DEDALUS 30.9 - GD | DEDALUS 32.9 - GD |
|---------------|--------------------|--------------------|--------------------|--------------------|
| A | 10.6 in (270 mm) | 10.6 in (270 mm) | 10.6 in (270 mm) | 10.6 in (270 mm) |
| B | 47.2 in (1200 mm) | 47.2 in (1200 mm) | 48.8 in (1240 mm) | 48.8 in (1240 mm) |
| C | 111.4 in (2830 mm) | 111.4 in (2830 mm) | 111.4 in (2830 mm) | 111.4 in (2830 mm) |
| D | 30.9 in (785 mm) | 30.9 in (785 mm) | 30.9 in (785 mm) | 30.9 in (785 mm) |
| E1 | 92.5 in (2350 mm) | 99.2 in (2520 mm) | 92.5 in (2350 mm) | 99.2 in (2520 mm) |
| F | 165.6 in (4207 mm) | 165.6 in (4207 mm) | 165.6 in (4207 mm) | 165.6 in (4207 mm) |
| G | 189.6 in (4815 mm) | 189.6 in (4815 mm) | 191.1 in (4855 mm) | 191.1 in (4855 mm) |
| H | 79.7 in (2025 mm) | 87.0 in (2210 mm) | 79.7 in (2025 mm) | 87.0 in (2210 mm) |
| I | 38.0 in (966 mm) | 38.0 in (966 mm) | 38.0 in (966 mm) | 38.0 in (966 mm) |
| K01 | 42° | 42° | 42° | 42° |
| K03 | 15° | 16° | 15° | 16° |
| K06 | 149° | 149° | 149° | 149° |
| K07 | 18° | 18° | 18° | 18° |
| K08 | 129° | 124° | 129° | 124° |
| L | 67.3 in (1710 mm) | 67.3 in (1710 mm) | 67.3 in (1710 mm) | 67.3 in (1710 mm) |
| L1 | 194.5 in (4940 mm) | 194.5 in (4940 mm) | 195.3 in (4960 mm) | 195.3 in (4960 mm) |
| M | 83.9 in (2130 mm) | 83.5 in (2120 mm) | 83.9 in (2130 mm) | 83.5 in (2120 mm) |
| M1 | 52.1 in (1324 mm) | 52.1 in (1324 mm) | 52.9 in (1344 mm) | 52.9 in (1344 mm) |
| N1 | 53.9 in (1370 mm) | 61.2 in (1555 mm) | 53.9 in (1370 mm) | 61.2 in (1555 mm) |
| O1 | 236.8 in (6015 mm) | 236.8 in (6015 mm) | 238.4 in (6055 mm) | 238.4 in (6055 mm) |
| P | 77.4 in (1967 mm) | 53.0 in (1345 mm) | 77.4 in (1967 mm) | 53.0 in (1345 mm) |
| P1 | 1.8 in (45 mm) | 1.8 in (45 mm) | 1.8 in (45 mm) | 1.8 in (45 mm) |
| Q | 176.5 in (4482 mm) | 149.6 in (3800 mm) | 176.5 in (4482 mm) | 149.6 in (3800 mm) |
| Q1 | 47.2 in (1200 mm) | 47.2 in (1200 mm) | 47.2 in (1200 mm) | 47.2 in (1200 mm) |
| R | 175.6 in (4461 mm) | 155.1 in (3940 mm) | 175.6 in (4461 mm) | 155.1 in (3940 mm) |
| R1 | 43.3 in (1100 mm) | 43.3 in (1100 mm) | 43.3 in (1100 mm) | 43.3 in (1100 mm) |
| S | 56.3 in (1430 mm) | 56.9 in (1445 mm) | 56.3 in (1430 mm) | 56.9 in (1445 mm) |
| S1 | 4.7 in (120 mm) | 4.7 in (120 mm) | 4.7 in (120 mm) | 4.7 in (120 mm) |
| T | 2.5 in (63 mm) | 1.2 in (30 mm) | 4.5 in (115 mm) | 4.5 in (115 mm) |
| T1 | 204.7 in (5200 mm) | 189.0 in (4800 mm) | 205.8 in (5228 mm) | 190.0 in (4825 mm) |
| U1 | 127.3 in (3233 mm) | 136.0 in (3455 mm) | 128.6 in (3267 mm) | 137.0 in (3480 mm) |
| V1 | 355.0 in (9018 mm) | 339.2 in (8615 mm) | 357.7 in (9085 mm) | 341.7 in (8680 mm) |



ON DEMAND

30.7

ON DEMAND

34.7

ON DEMAND

30.9

ON DEMAND

32.9