



MINI AGRI SMART

20.4



PERFORMANCE

Vehicle model	MINI AGRI 20.4 SMART
Maximum capacity	4400 lb (1996 kg)
Maximum lifting height	14.3 ft (4.35 m)
Maximum horizontal extension	8.4 ft (2.6 m)
Fork swiveling angle	133°
Pull-out force	7565 lbf (3365 daN)
Towing force	7142 lbf (3177 daN)
Unladen mass	9480 lb (4300 kg)
Maximum climb angle	56%
Max speed (referred to wheels with maximum permitted diameter)	15.5 mph (25 km/h)

BOOM

Vehicle model	MINI AGRI 20.4 SMART
Lifting	7 s
Descent	5 s
Extension	6 s
Retraction	4 s
Forward swiveling	4 s
Reverse swiveling	3 s

ENGINE

Vehicle model	MINI AGRI 20.4 SMART
Brand	Kubota
Nominal power	50 HP (37 kW)
@rpm	2700 rpm
Operation	4-stroke
Injection	Electronic, Common Rail
Number and arrangement of cylinders	3, Vertical in line
Displacement	111 in ³ (1826 cm ³)
Consumption	398.09 lb/Hp h (242 g/kWh)
@rpm	2700 rpm
Emission standard	Stage V
Exhaust gas treatment	Catalyst + Particulate filter (DOC+DPF)
Cooling system	Liquid
Intake	Turbo compressor

DIFFERENTIAL AXLES

Vehicle model	MINI AGRI 20.4 SMART
Type of axles	2 steering, with 4 epicycloidal reduction gears
Type of steering	4 wheels / transversal / 2 wheels
FRONT AXLE	Rigid
Rear axle	Swinging
Service braking	Dry disk on rear axle
Parking braking	Manually activated on brake caliper through cable

HYDRAULIC SYSTEM

Vehicle model	MINI AGRI 20.4 SMART
Hydraulic pump type	Gear pump for power steering and movements
Hydraulic pump capacity	26.7 gal/min (101 l/min)
Max. operating pressure	3626 psi (25 MPa)
Distributor control	Proportional 4 in1 Joystick

REFUELING

Vehicle model	MINI AGRI 20.4 SMART
Hydraulic system (total)	18.49 gal (70 l)
FUEL TANK	15.85 gal (60 l)

TRANSMISSION

Vehicle model	MINI AGRI 20.4 SMART
Transmission type	Single speed Hydrostatic transmission with variable displacement pump
Reversal	Electro-Hydraulic
Inching	With hydraulic pedal for controlled forward movement

TOWING CAPACITY

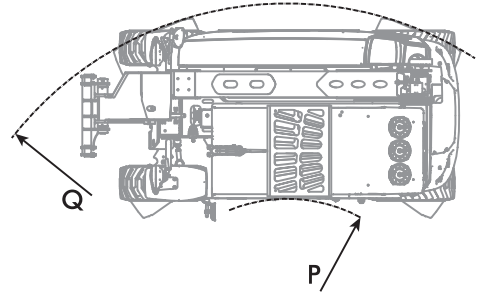
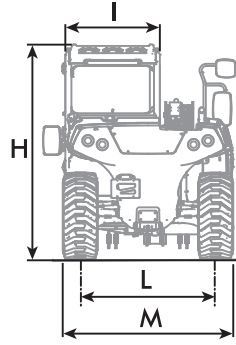
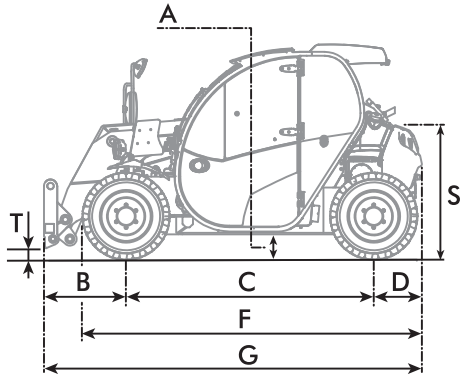
Vehicle model	MINI AGRI 20.4 SMART
---------------	----------------------

TIRES

Vehicle model	MINI AGRI 20.4 SMART
Standard tires	12x16.5"

DIMENSIONS

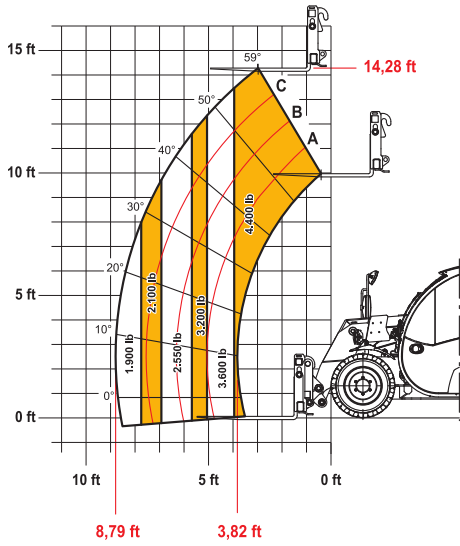
Vehicle model	MINI AGRI 20.4 SMART
A	7.8 in (199 mm)
B	32.6 in (827 mm)
C	88.6 in (2250 mm)
D	18.0 in (458 mm)
F	134.1 in (3405 mm)
G	139.1 in (3534 mm)
H	75.9 in (1929 mm)
L	48.4 in (1230 mm)
I	33.9 in (860 mm)
M	61.0 in (1550 mm)
P	52.8 in (1340 mm)
Q	121.1 in (3075 mm)
S	57.8 in (1469 mm)
T	7.9 in (200 mm)



MAX
4400 lb



DOC10001434



ANSI B56.6

20.4